

Proudly Sold and Distributed by:

THECORNERGUARDSTORE
WALL PROTECTION WAREHOUSE

T: 800-436-3056 F: 952-303-3773 info@TheCornerGuardStore.com

Model: B5510-36-DSP1

MODEL: *B5510-36-DSP1*

Size

Projection $5\frac{1}{2}''$
Height $10''$

Length

-Overall $35\frac{1}{4}''$
-Rubber $32''$

Angle Size $\frac{1}{4}'' \times 3'' \times 3'' \times 9\frac{1}{2}''$

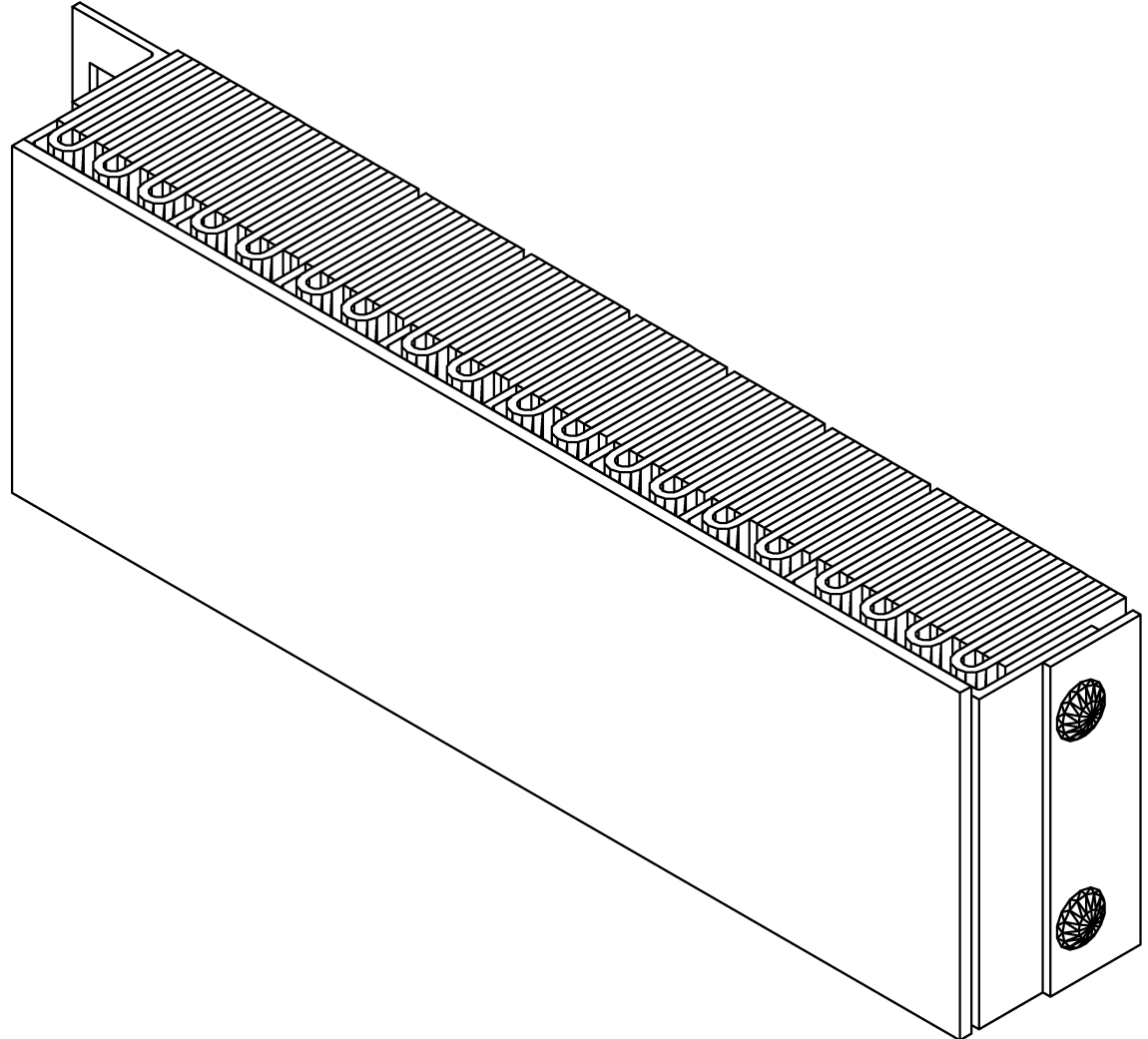
Plate Size $\frac{1}{4}'' \times 3'' \times 9\frac{1}{2}''$

Slot Angle Size $\frac{1}{4}'' \times 3'' \times 4'' \times 9\frac{1}{2}''$

Face Plate Size $\frac{3}{8}'' \times 10'' \times 31\frac{1}{2}''$

Date: 11/02/15

All measurements are within +/- 1/8"



Confidential – Property of Durable Corporation