

Proudly Sold and Distributed by:



T: 800-436-3056 F: 952-303-3773 info@TheCornerGuardStore.com

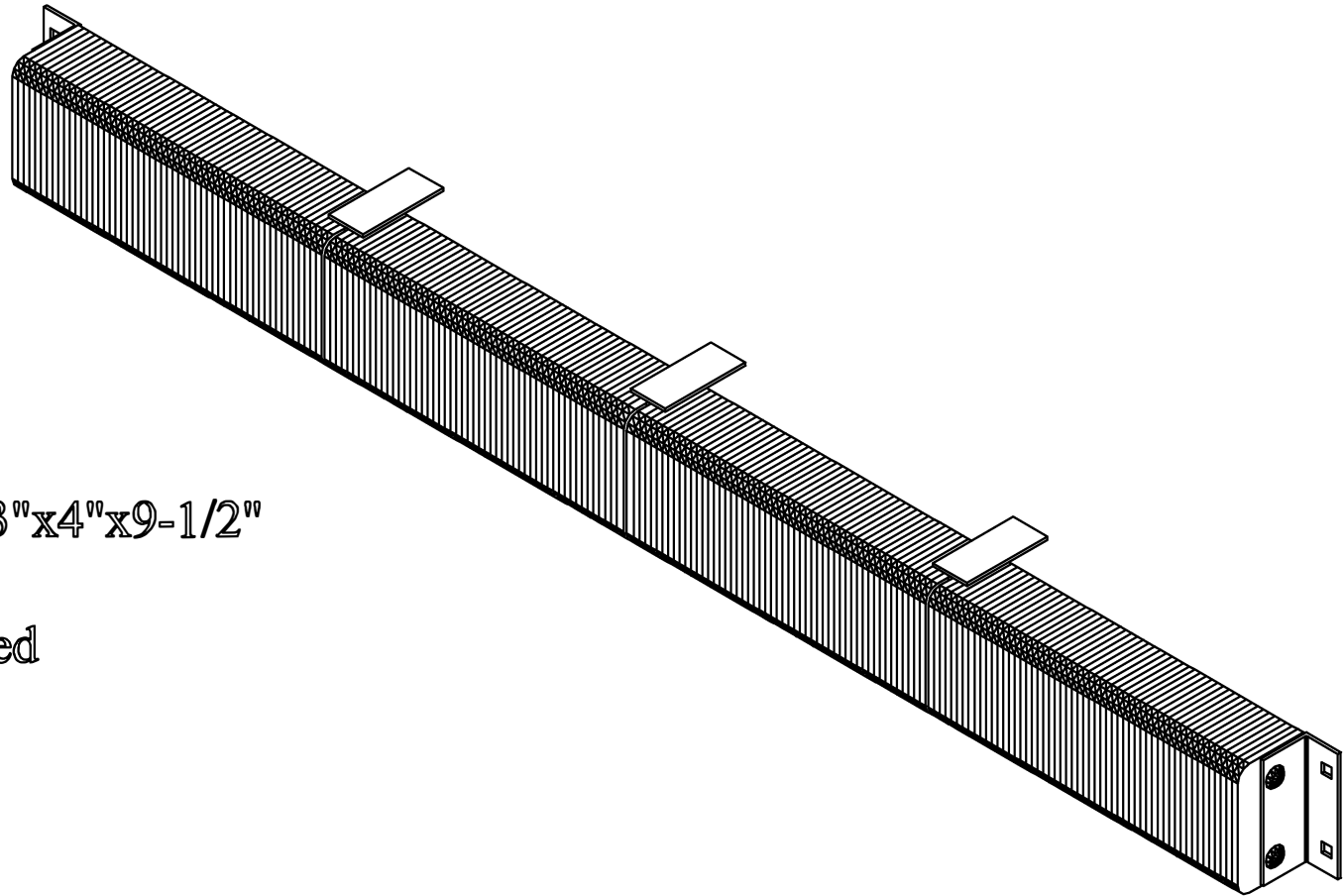
Model: B610-111-A3

Size

Projection 6"
Height 10"

Length:

-Overall 113"
-Anchor Holes 111"
-Rubber 107"
Angle Size 1/4"x3"x4"x9-1/2"



Bolt Heads Are Inscribed
"DURABLE CORP"

Date: 11/02/15

All measurements are +/- 1/8"

Confidential – Property of Durable Corporation