

Proudly Sold and Distributed by:

THECORNERGUARDSTORE
WALL PROTECTION WAREHOUSE

T: 800-436-3056 F: 952-303-3773 info@TheCornerGuardStore.com

Model: D-4-12

MODEL: *D-4-12*
EXTRUDED BUMPER

Size

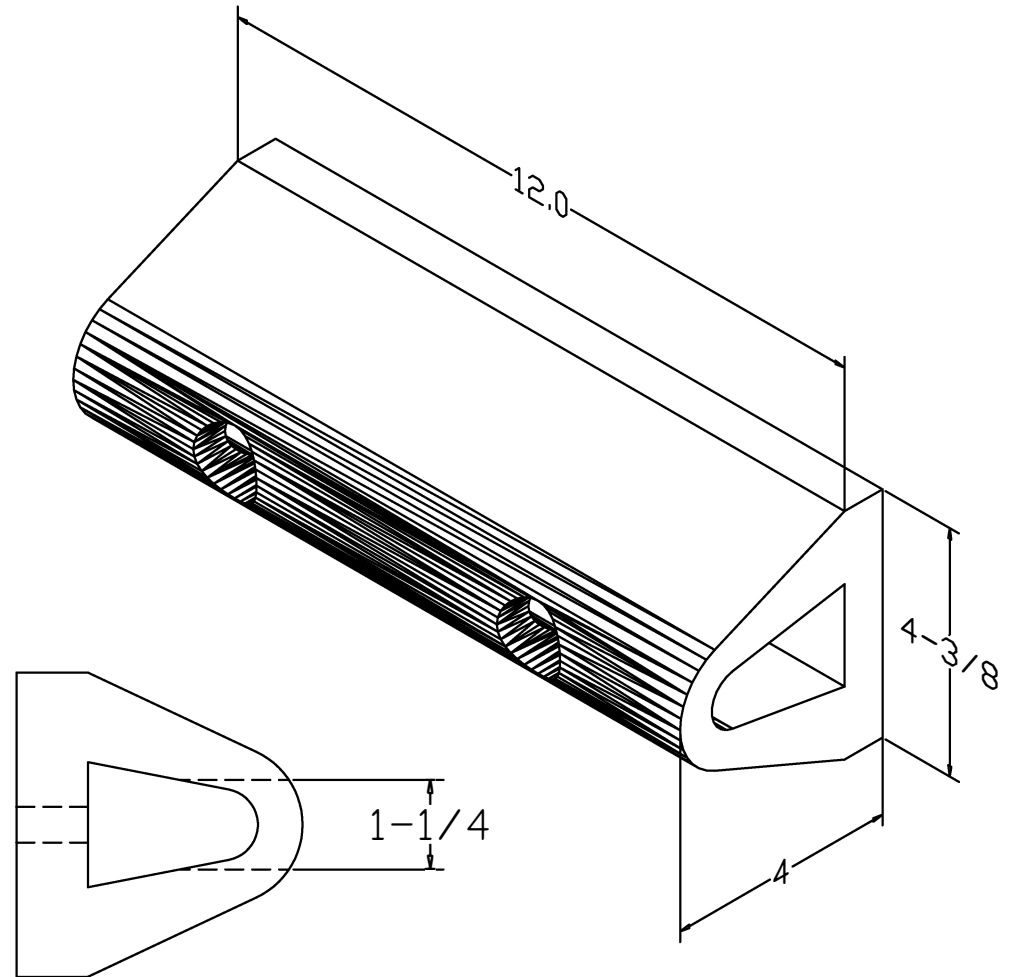
Overall Length	12"
Overall Thickness	4"
Height	4-3/8"
Bolt Size	1/2 x 3"
Total Weight	5-1/2 lbs

Date: 04/07/04

Scale: Full

Please Note:

-Weights are calculated and are not actual and overall tolerance may vary + or - 1/4.



SIDE VIEW