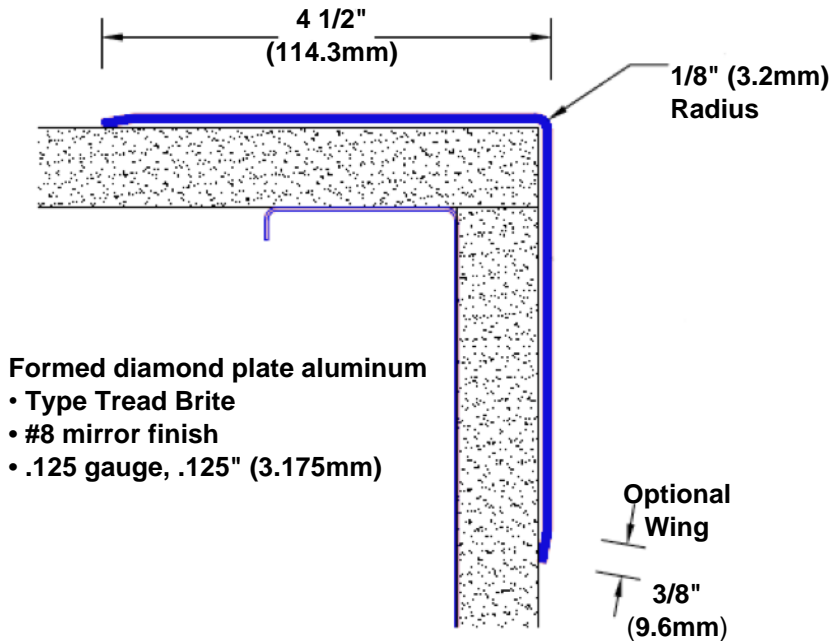


# TheCornerGuardStore

## Diamond Plate Aluminum Corner Guard

84" x 4 1/2" x 4 1/2" x 90°



Formed diamond plate aluminum

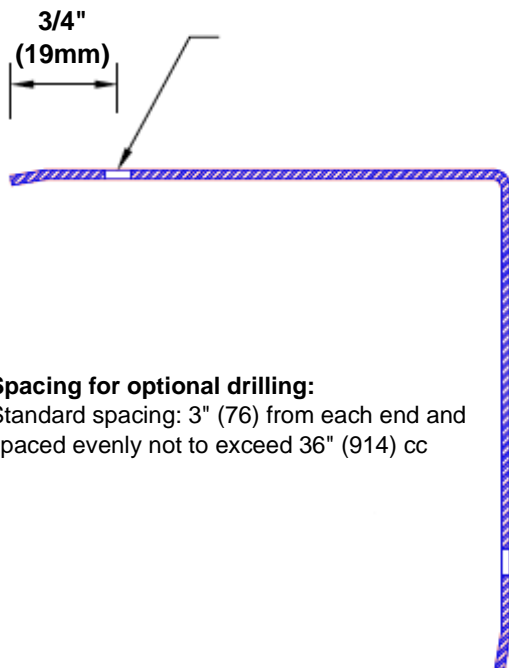
- Type Tread Brite
- #8 mirror finish
- .125 gauge, .125" (3.175mm)

### Features:

- Custom lengths, angles and wing sizes
- Available with 3/4" (19) radius
- Type Tread Brite diamond plate aluminum
- Stock lengths: 4' (1219mm) & 8' (2438mm)

### Mounting Options:

- Standard mounting  
Adhesive:  
Construction adhesive supplied separately
- Optional mounting  
Standard  
Drilling:  
Clearance holes for #8 fastener wood screw.  
Countersunk  
Drilling:  
#8 x 1 1/4" (31.75mm) oval head wood screw supplied separately as required.



### Spacing for optional drilling:

Standard spacing: 3" (76) from each end and spaced evenly not to exceed 36" (914) cc

