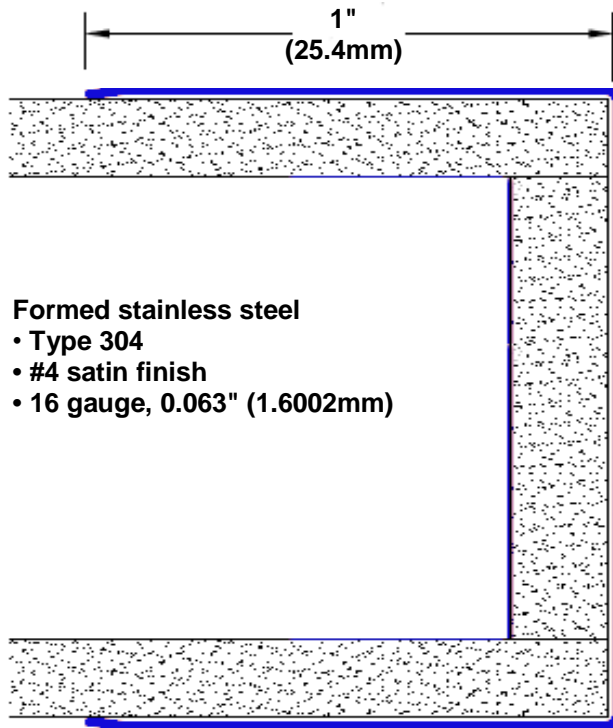


TheCornerGuardStore™

Stainless Steel End Wall Cap 48" x 1" x 4.875" x 1" x 90°



1/8" (3.2mm)
Radius

4.875"
(123.825mm)

Features:

- Custom lengths, angles and wing sizes
- Type 304 stainless steel
- Stock lengths: 4' (1219mm) & 8' (2438mm)

Mounting Options:

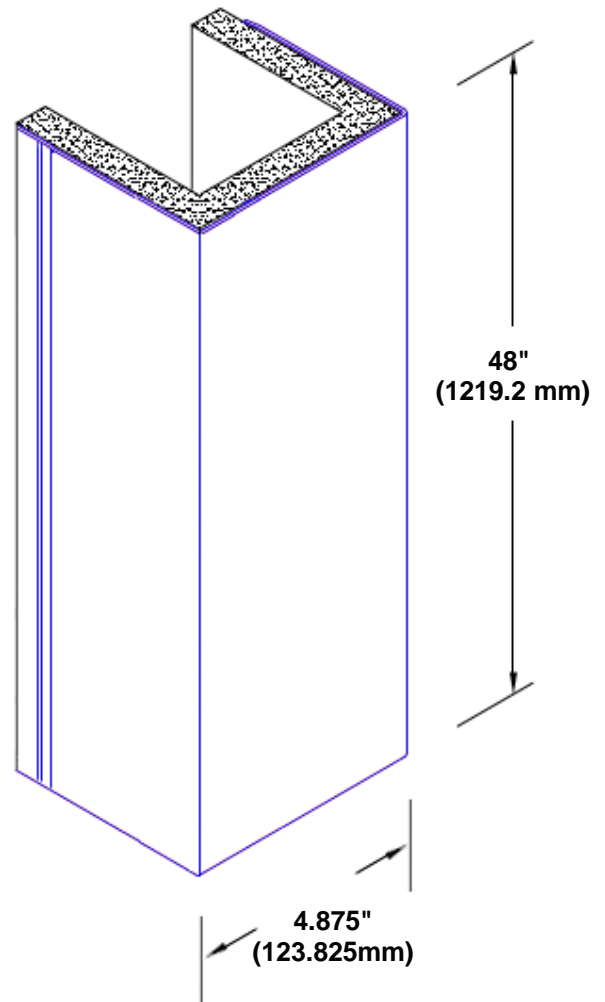
- Standard mounting
Adhesive:
Construction adhesive supplied separately
- Optional mounting
Standard Drilling:
Clearance holes for #8 fastener wood screw.
Countersunk Drilling:
#8 x 1/4" (31.75mm) ovalhead wood screw supplied separately as required.

Optional Wing
3/8"
(9.6mm)

3/4"
(19mm)

Optional clearance hole for #8 or countersunk hole for #8, see mounting options above

Spacing for optional drilling:
Standard spacing: 3" (76) from each end and spaced evenly not to exceed 36" (914) cc



TheCornerGuardStore.Com reserves the right to discontinue a design or modify an existing design without prior notice