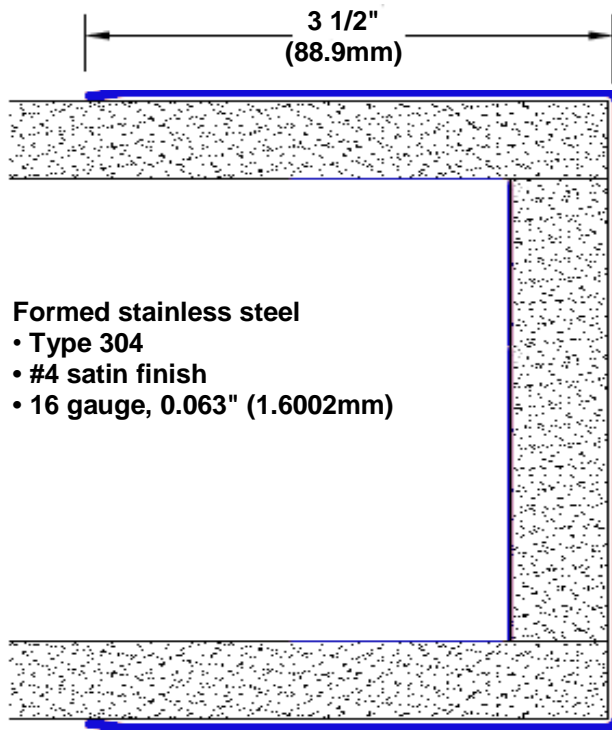


TheCornerGuardStore™

Stainless Steel End Wall Cap

48" x 3 1/2" x 4.875" x 3 1/2" x 90°



1/8" (3.2mm) Radius

4.875" (123.825mm)

Features:

- Custom lengths, angles and wing sizes
- Type 304 stainless steel
- Stock lengths: 4' (1219mm) & 8' (2438mm)

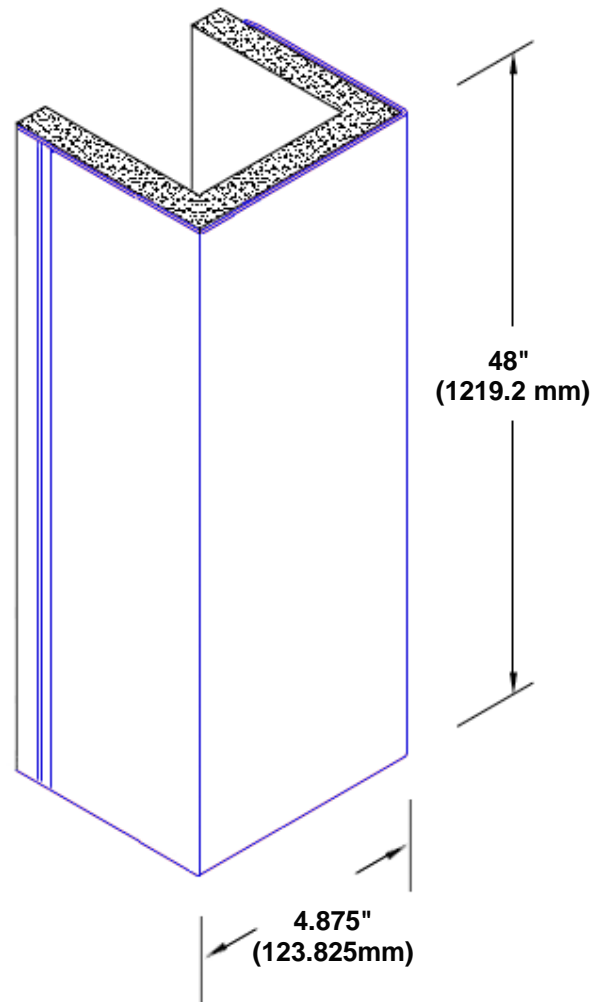
Mounting Options:

- Standard mounting
Adhesive: Construction adhesive supplied separately
- Optional mounting
Standard Drilling: Clearance holes for #8 fastener wood screw.
Countersunk Drilling: #8 x 1/4" (31.75mm) ovalhead wood screw supplied separately as required.

Optional Wing
3/8" (9.6mm)

3/4" (19mm)
Optional clearance hole for #8 or countersunk hole for #8, see mounting options above

Spacing for optional drilling:
Standard spacing: 3" (76) from each end and spaced evenly not to exceed 36" (914) cc



TheCornerGuardStore.Com reserves the right to discontinue a design or modify an existing design without prior notice