

Installation Instructions

Please read all instructions before installing door protector.

1700/G2-1700 BioBlend® -

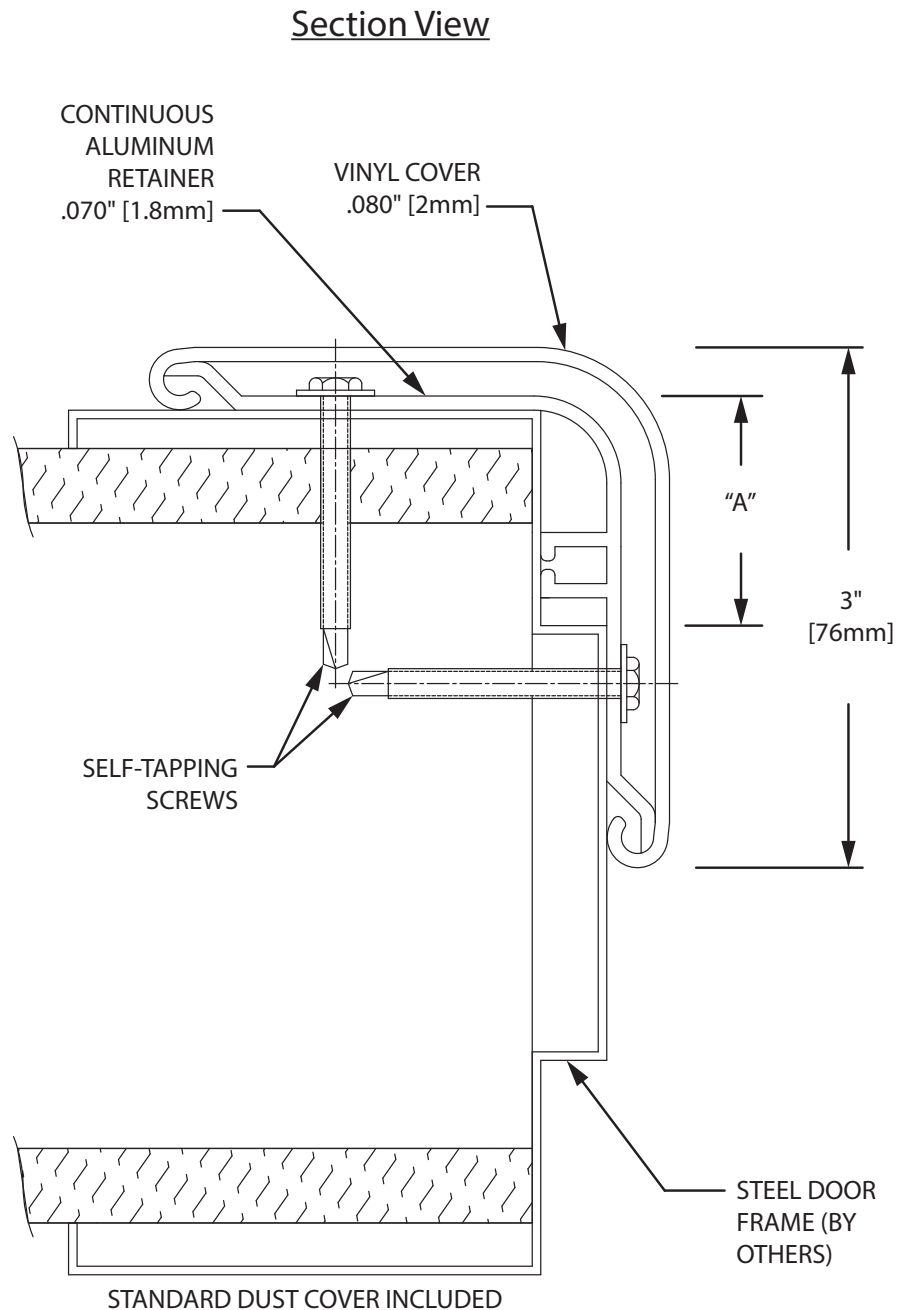
High Impact Door Frame Guard

Important

1. Acclimate materials 24 hrs before installation. Maintain temperature controlled environment after installation.
2. Install in accordance with manufacturer's installation instructions. Failure to do so will void the warranty.

Installation tips

1. Cut covers up to 1/16" (1.6mm) longer to ensure a tight fit.



Recommended tools

Safety Glasses, Tape Measure, Level, Power Drill, 1/4" Socket, Drill Bits - 1/4" masonry (concrete/concrete block), Power Miter Saw, 10" Blade with 60-80 Carbide Tipped Teeth

IPC.441/REV.7

Installation Hotline • 866.EZINPRO
Inprocorp.com • 800.222.5556 • 262.679.9010
World Headquarters S80 W18766 Apollo Drive, Muskego, WI 53150 USA

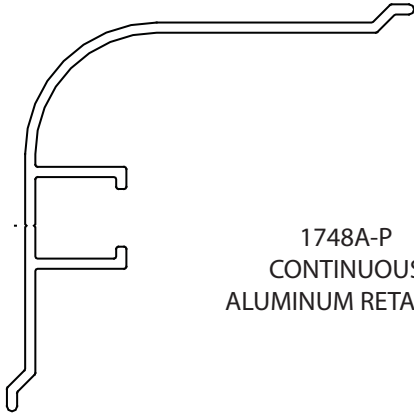
IPC®
DOOR + WALL PROTECTION SYSTEMS
A DIVISION OF INPRO®

Installation Instructions

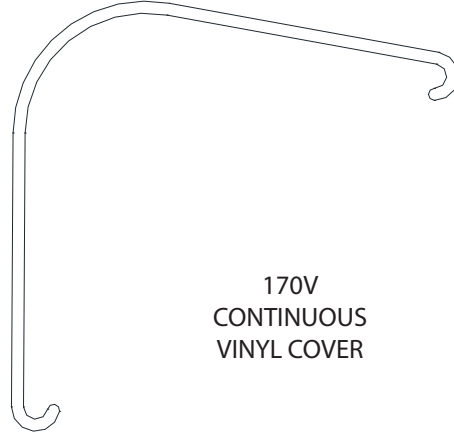
1700/G2-1700 BioBlend® - High Impact Door Frame Guard

Please read all instructions before installing door protector.

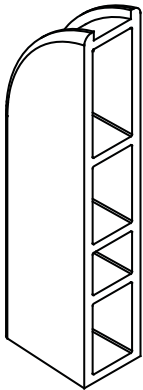
Components



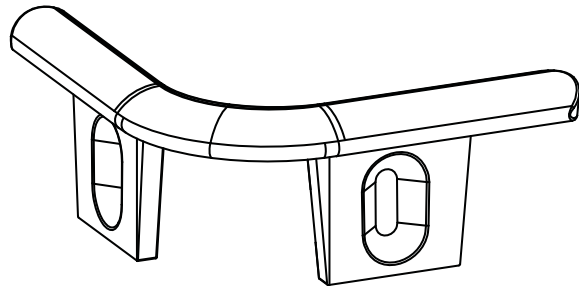
1748A-P
CONTINUOUS
ALUMINUM RETAINER



170V
CONTINUOUS
VINYL COVER



1701
BULLNOSE
DUST CAP



171TC
BULLNOSE
TOP CAP

Condition	Specified Fasteners	Inpro Part #
DFG High Impact Hardware Kit	#8 x 1 1/2" Phillips Indented Hex Self-Drilling Screw	HWK-36 (3')
	#8 x 1 1/4" Phillips Flat Head Self-Tapping Screw	HWK-48 (4')
		HWK-96 (8')

Installation Hotline • 866.EZINPRO
Inprocorp.com • 800.222.5556 • 262.679.9010
World Headquarters S80 W18766 Apollo Drive, Muskego, WI 53150 USA

IPC®
DOOR + WALL PROTECTION SYSTEMS
A DIVISION OF INPRO®

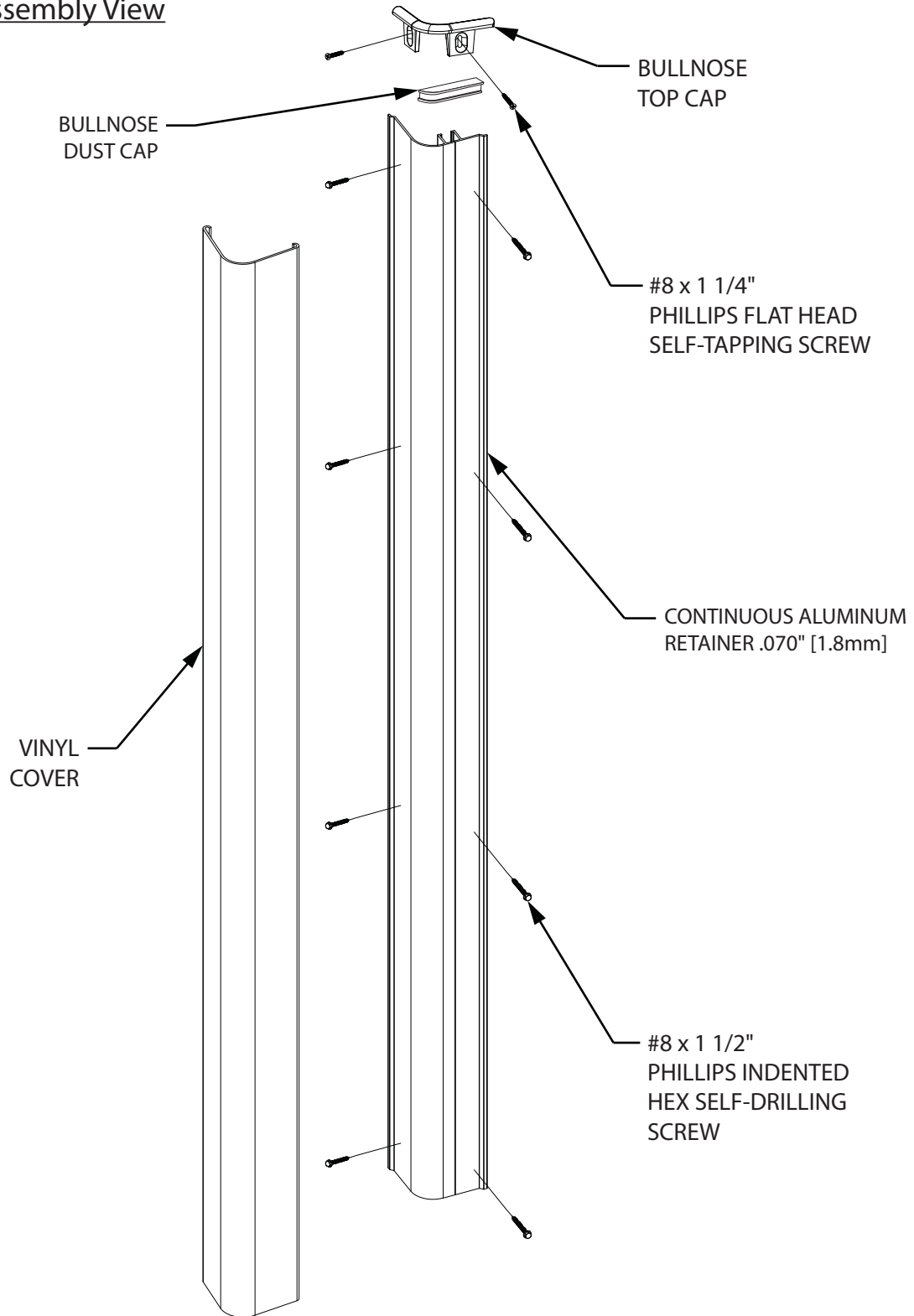
Installation Instructions

1700/G2-1700 BioBlend® -

High Impact Door Frame Guard

Please read all instructions before installing door protector.

Exploded Assembly View



Installation Hotline • 866.EZINPRO
Inprocorp.com • 800.222.5556 • 262.679.9010

World Headquarters S80 W18766 Apollo Drive, Muskego, WI 53150 USA

IPC®
DOOR + WALL PROTECTION SYSTEMS
A DIVISION OF INPRO®

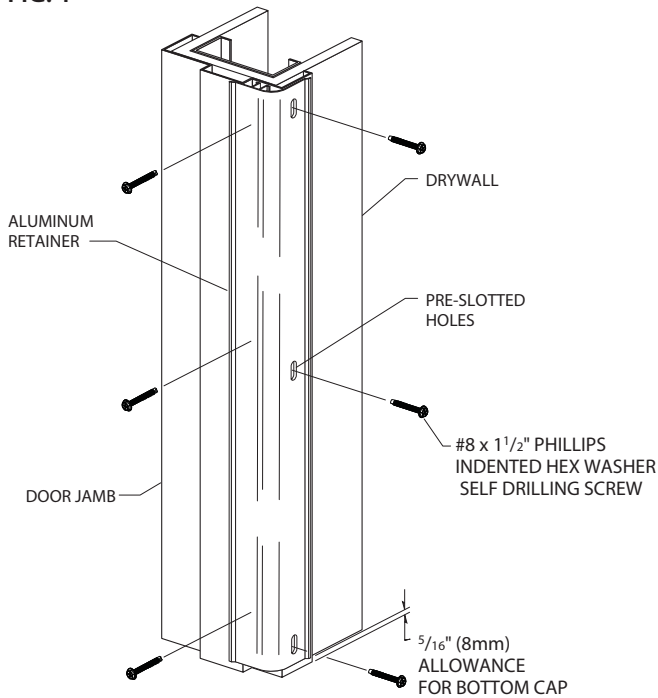
Installation Instructions

1700/G2-1700 BioBlend® -

High Impact Door Frame Guard

Please read all instructions before installing door protector.

FIG. 1



1. Position aluminum retainer against steel door jamb, leaving allowance for bottom cap. One wing of the retainer has pre-slotted holes. Holes will need to be drilled into the other wing and steel door frame with a 1/4" (3mm) drill bit. Secure retainer to the door jamb. SEE FIG. 1
2. Cut the dust cap to proper length. SEE FIG. 2a Slide dust cap into top cap. Overlap the retainer with the mounting tabs of the top and bottom caps and attach them to retainer. SEE FIG. 2b

FIG. 2a

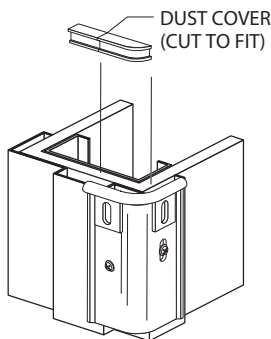
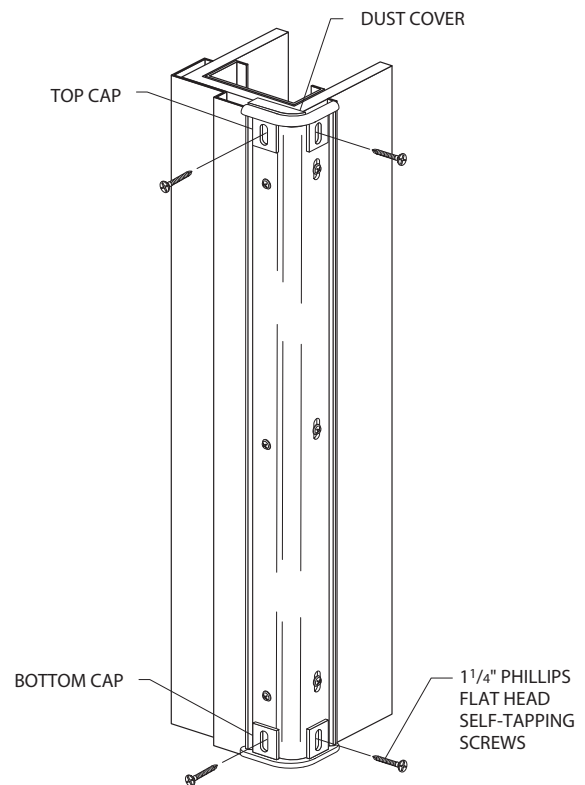


FIG. 2b



Installation Hotline • 866.EZINPRO

Inprocorp.com • 800.222.5556 • 262.679.9010

World Headquarters S80 W18766 Apollo Drive, Muskego, WI 53150 USA

IPC®

DOOR + WALL PROTECTION SYSTEMS
A DIVISION OF INPRO®

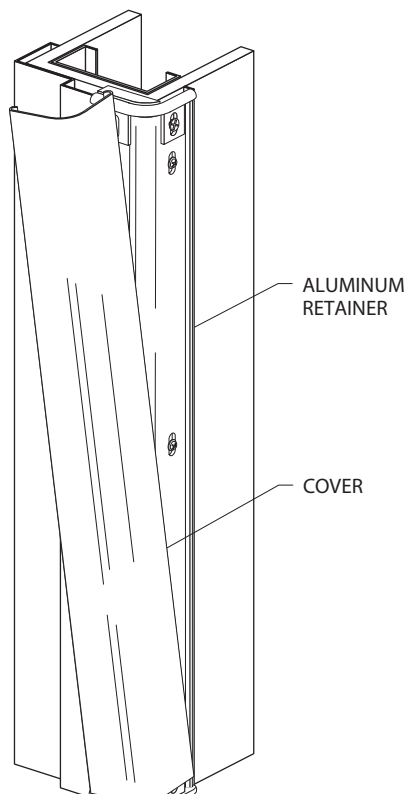
Installation Instructions

1700/G2-1700 BioBlend® -

High Impact Door Frame Guard

Please read all instructions before installing door protector.

FIG. 3



3. Position cover on retainer and adjust the top cap for a tight fit. Starting at the top, push cover onto retainer pressing over the entire length until it snaps into place. SEE FIG. 3

Installation Hotline • 866.EZINPRO

Inprocorp.com • 800.222.5556 • 262.679.9010

World Headquarters S80 W18766 Apollo Drive, Muskego, WI 53150 USA

IPC®

DOOR + WALL PROTECTION SYSTEMS
A DIVISION OF INPRO®