

Installation Instructions

50AA Aluminum Wall Guard

Please read all instructions before installing wallguard.

FIG. 1

Please read all instructions before installing wall guard.

1. Determine height of wall guard. Deduct 1/4" and snap chalk line. Position top edge of bracket against chalk line. Transfer mounting holes to wall.

See Figure 1.

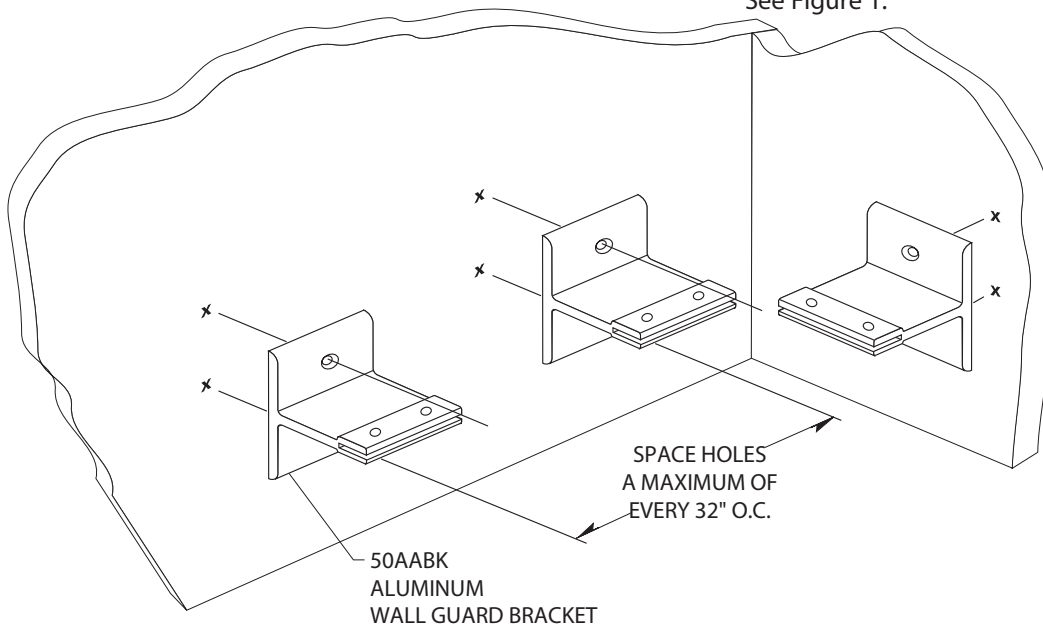
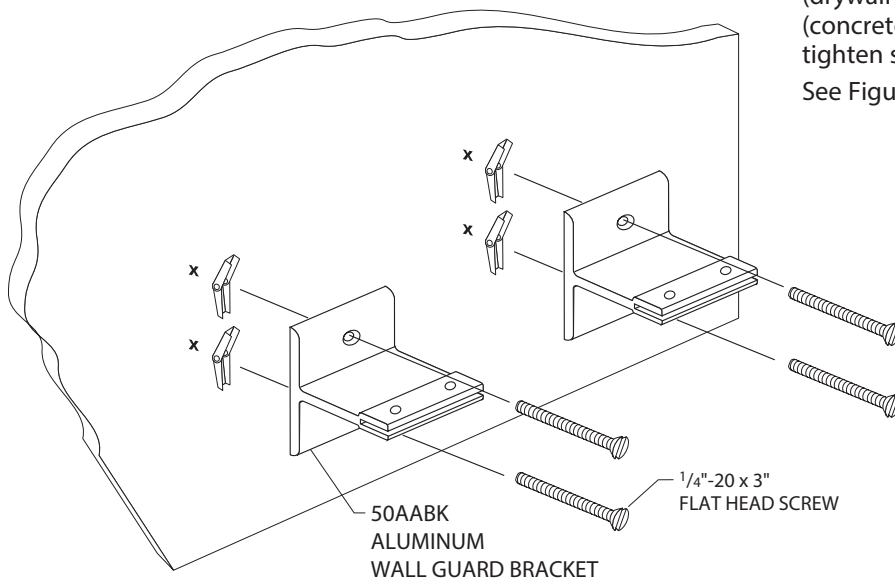


FIG. 2

2. Drill marked holes with 3/4" drill bit for toggle bolts (drywall installation) or 1/2" drill bit for lead anchor (concrete wall installation). Mount brackets to wall, tighten screws to secure.

See Figure 2.



IPC.611/REV.3

IPC® Door + Wall Protection

inpro.com • 800.222.5556 • 262.679.9010

World Headquarters S80 W18766 Apollo Drive, Muskego, WI 53150 USA

Installation Hotline: 866.394.6776

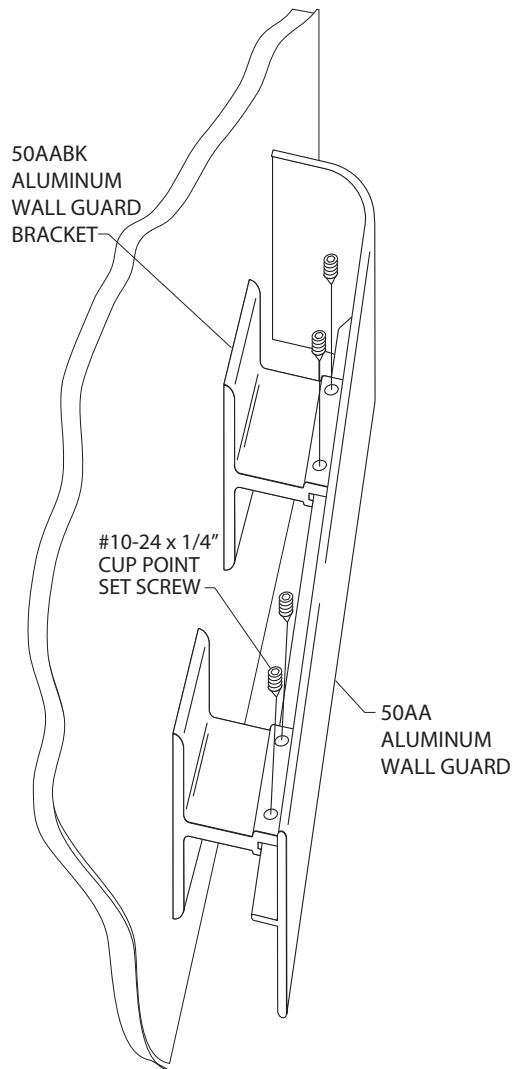
inpro®

Installation Instructions

50AA Aluminum Wall Guard

Please read all instructions before installing wallguard.

FIG. 3



3. Position wall guard into mounting brackets. Tighten the wall guard into the brackets with set screws.

See Figure 3.

Note: When joining two sections of wall guard, use a bracket. The mounting tab of each wall guard section slides halfway into the mounting slot.

