

Installation Instructions

51SS and 56SSF Stainless Steel Wall Guards

Please read all instructions before installing wallguard.

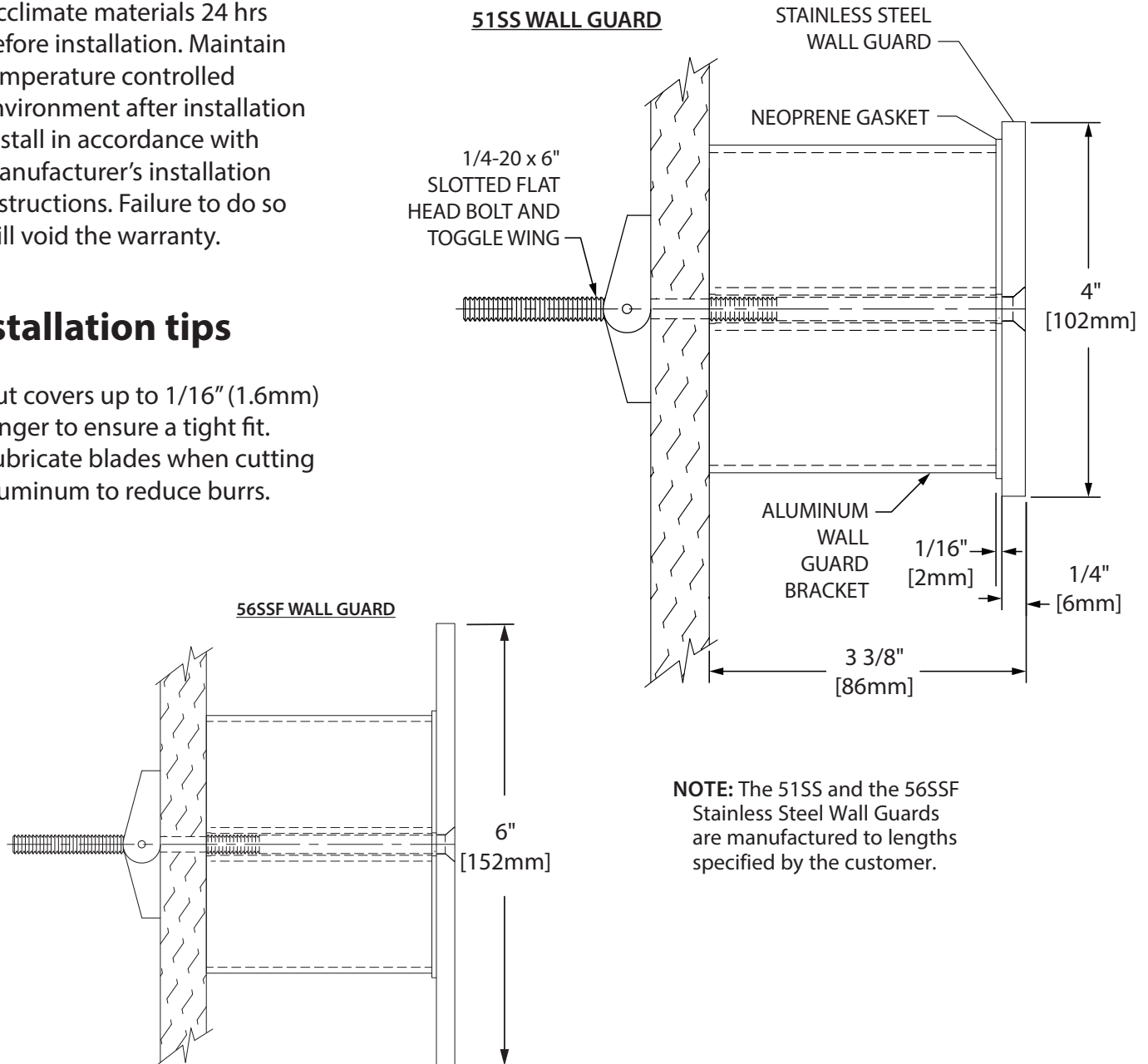
Important

1. Acclimate materials 24 hrs before installation. Maintain temperature controlled environment after installation
2. Install in accordance with manufacturer's installation instructions. Failure to do so will void the warranty.

Installation tips

1. Cut covers up to 1/16" (1.6mm) longer to ensure a tight fit.
2. Lubricate blades when cutting aluminum to reduce burrs.

Section View



NOTE: The 51SS and the 56SSF Stainless Steel Wall Guards are manufactured to lengths specified by the customer.

Recommended tools

Safety Glasses, Tape Measure, Level, Power Drill, Drill Bits - 1/4" masonry (concrete/concrete block), Power Miter Saw, 10" Blade with 60-80 Carbide Tipped Teeth

IPC.481/REV.4

IPC® Door + Wall Protection

inpro.com • 800.222.5556 • 262.679.9010

World Headquarters S80 W18766 Apollo Drive, Muskego, WI 53150 USA

Installation Hotline: 866.394.6776

inpro®

Installation Instructions

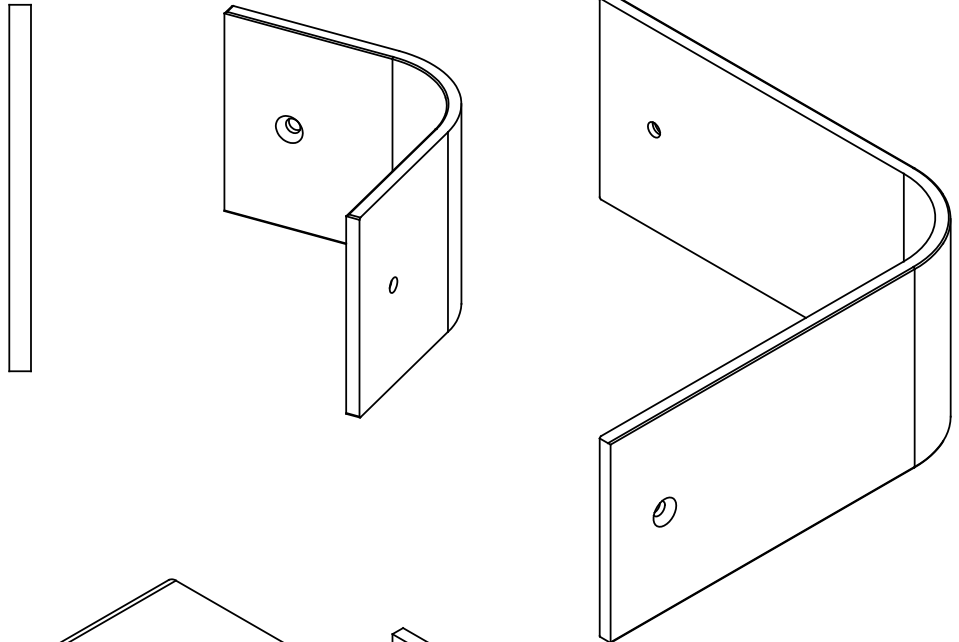
51SS and 56SSF Stainless Steel Wall Guards

Please read all instructions before installing wallguard.

Components and fasteners

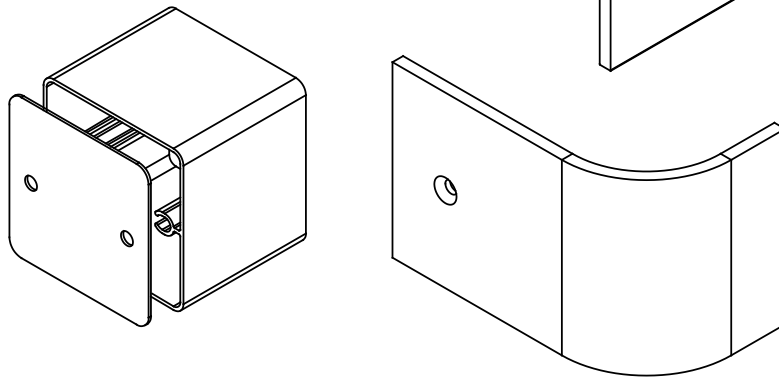
51SS Wall Guard Components

- 51SSBAR - Wall Guard
- 51SSRR - Right Return
- 51SSLR - Left Return
- 51SSOC - Outside Corner
- 51SSIC - Inside Corner
- 51SSBK-M - Bracket
- 51SSGA - Gasket



56SSF Wall Guard Components

- 56SSFBAR - Wall Guard
- 56SSFRR - Right Return
- 56SSFLLR - Left Return
- 56SSFOC - Outside Corner
- 56SSFIC - Inside Corner
- 51SSBK-M - Bracket
- 51SSGA - Gasket



Wall Condition	Specified Fasteners	Inpro Part #
Drywall	1/4"-20 x 6" Flat Head Screw, Toggle Wing and Gasket	51SSBK-D
Wood	#14 x 6 Phillips Flat Head Wood Screw and Gasket	51SSBK-W

IPC® Door + Wall Protection

inpro.com • 800.222.5556 • 262.679.9010

World Headquarters S80 W18766 Apollo Drive, Muskego, WI 53150 USA

Installation Hotline: 866.394.6776

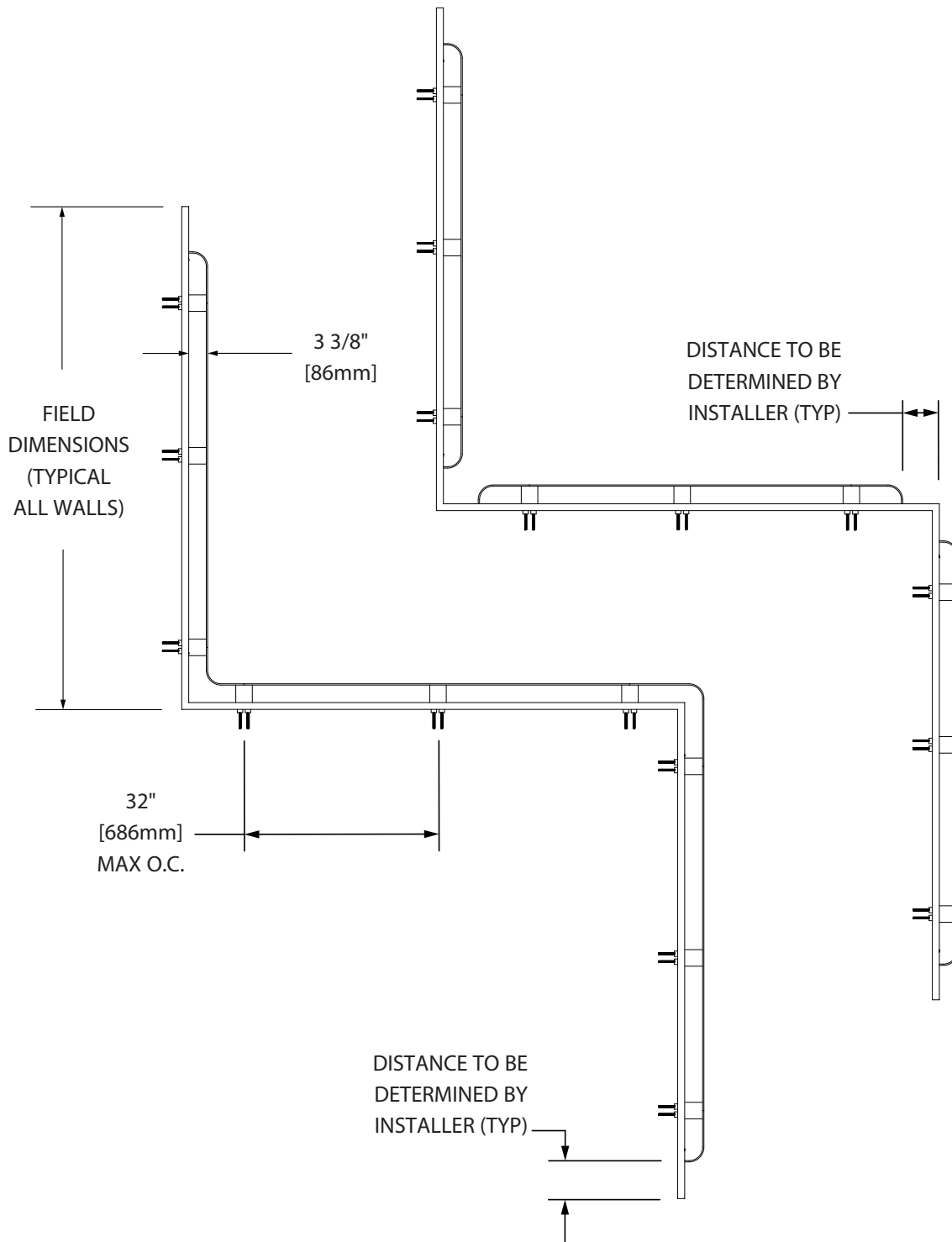
inpro®

Installation Instructions

51SS and 56SSF Stainless Steel Wall Guards

Please read all instructions before installing wallguard.

Layout Views



IPC® Door + Wall Protection

inpro.com • 800.222.5556 • 262.679.9010

World Headquarters S80 W18766 Apollo Drive, Muskego, WI 53150 USA

Installation Hotline: 866.394.6776

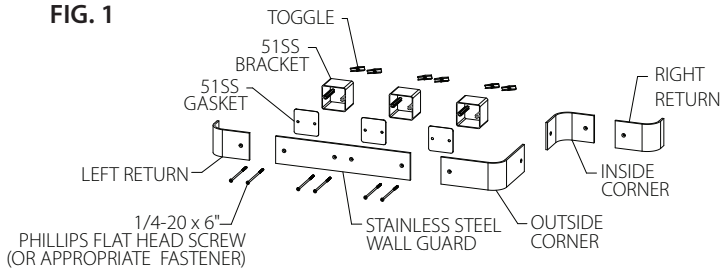
inpro®

Installation Instructions

51SS and 56SSF Stainless Steel Wall Guards

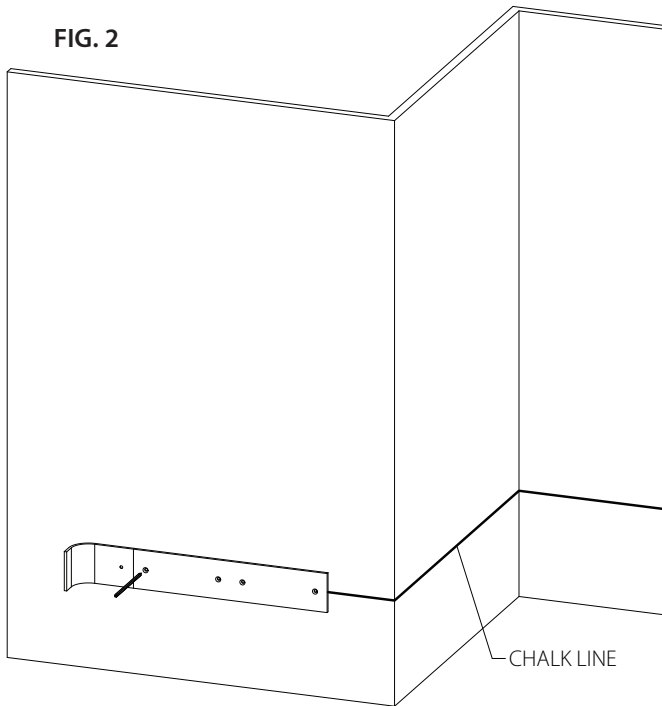
Please read all instructions before installing wallguard.

FIG. 1



1. Layout the wall guard sections in the installation area.
SEE FIG. 1

FIG. 2



2. Determine the height of the wall guard. Snap a chalk line:

51SS - 2" [51mm] below that height

56SSF - 3" [76mm] below that height

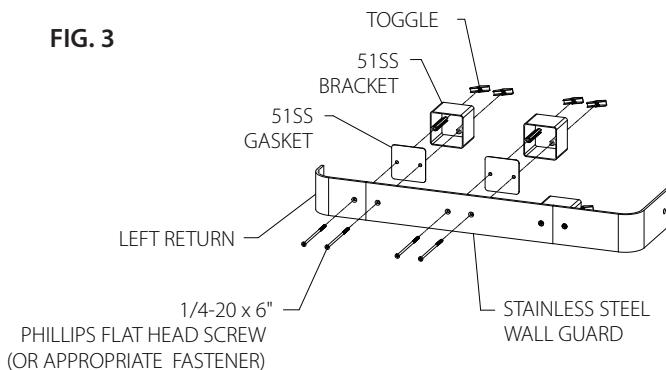
The chalk line is the centerline of the fasteners.

3. Use the wall guard as a template to mark the mounting hole locations. If inside and outside corners are part of the installation allow 3-1/8" [80mm] for the bracket and gasket depth when positioning the wall guard. The distance from the wall to the back of the wall guard is 3-1/8" [80mm].

Drill marked holes with 3/4" drill bit for toggle bolts (drywall installation) or 1/2" drill bit for lead anchor (concrete wall installation). Mount brackets to wall, tighten screws to secure.

SEE FIG. 2

FIG. 3



4. Loosely attach the wall guard, gasket, mounting bracket and appropriate fasteners at each mounting location. When the installation involves longer lengths or is a continuous installation with corners, a single bracket is used at the butt joint.

SEE FIG. 3

IPC® Door + Wall Protection

inpro.com • 800.222.5556 • 262.679.9010

World Headquarters S80 W18766 Apollo Drive, Muskego, WI 53150 USA

Installation Hotline: 866.394.6776

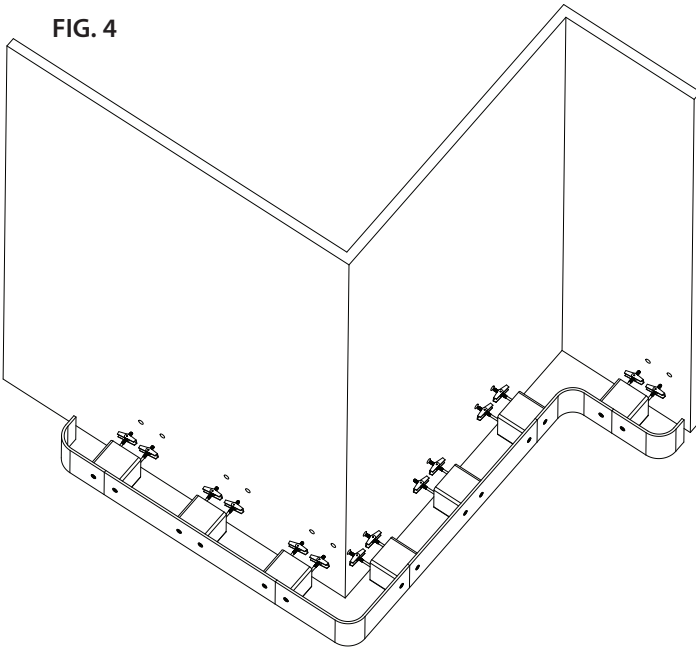
inpro®

Installation Instructions

51SS and 56SSF Stainless Steel Wall Guards

Please read all instructions before installing wallguard.

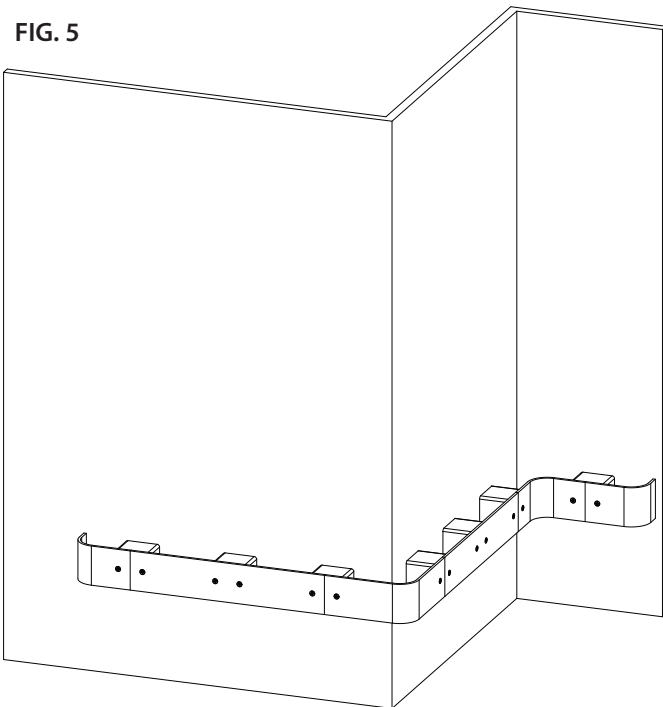
FIG. 4



5. Lift the wall guard assembly to the wall, level and tighten until secure making sure any butt joints are aligned.

See Figure 4.

FIG. 5



IPC® Door + Wall Protection

inpro.com • 800.222.5556 • 262.679.9010

World Headquarters S80 W18766 Apollo Drive, Muskego, WI 53150 USA

Installation Hotline: 866.394.6776

inpro®