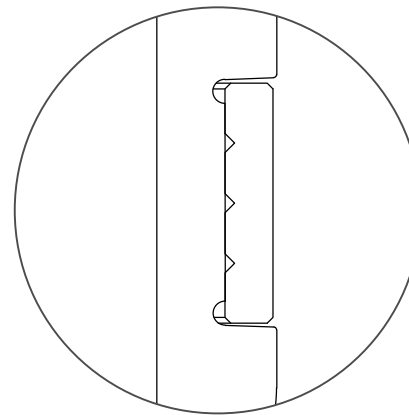
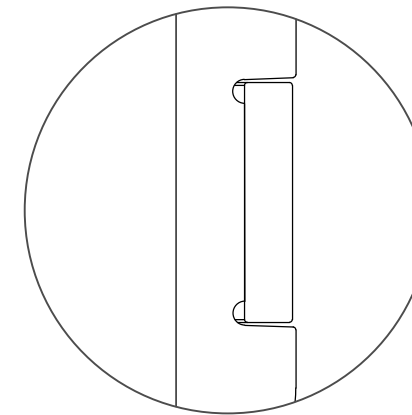


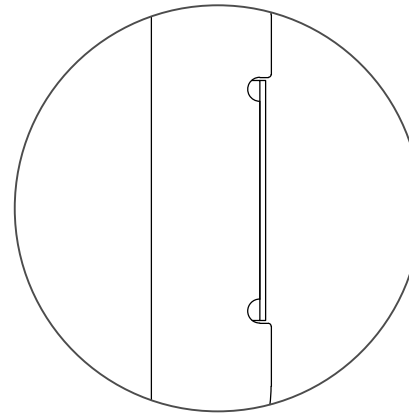
1/4" [6mm] x 1 1/4" [32mm]  
SMOOTH WOOD  
INSERT



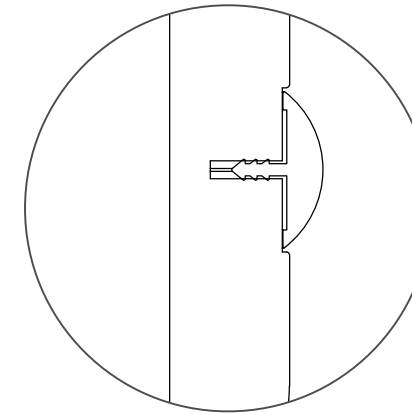
1/4" [6mm] x 1 1/4" [32mm]  
BIOPRISM™ ANTIMICROBIAL  
SOLID SURFACE  
INSERT



.040" [1mm] THICK  
SHEET INSERT



FLEX BUMPER  
INSERT



SOLID  
NO INSERT



|   |                           |
|---|---------------------------|
| FINISH:   |                           |
| <b>IPC</b><br>DOOR + WALL<br>PROTECTION SYSTEMS | DATE: 1/7/11              |
|   | SCALE: 1:1                |
|   | DOC #:<br>CADIPC.080/rev1 |

CR 12 SERIES WOOD CHAIR RAIL

|           |
|-----------|
| PROJECT:  |
| CUSTOMER: |
| LOCATION: |

**inpro.**  
 For more information visit:  
[www.inprocorp.com](http://www.inprocorp.com)