

Installation Instructions

CR1 Wood Chair Rail - Pre-Assembled Length

Please read all instructions before installing.

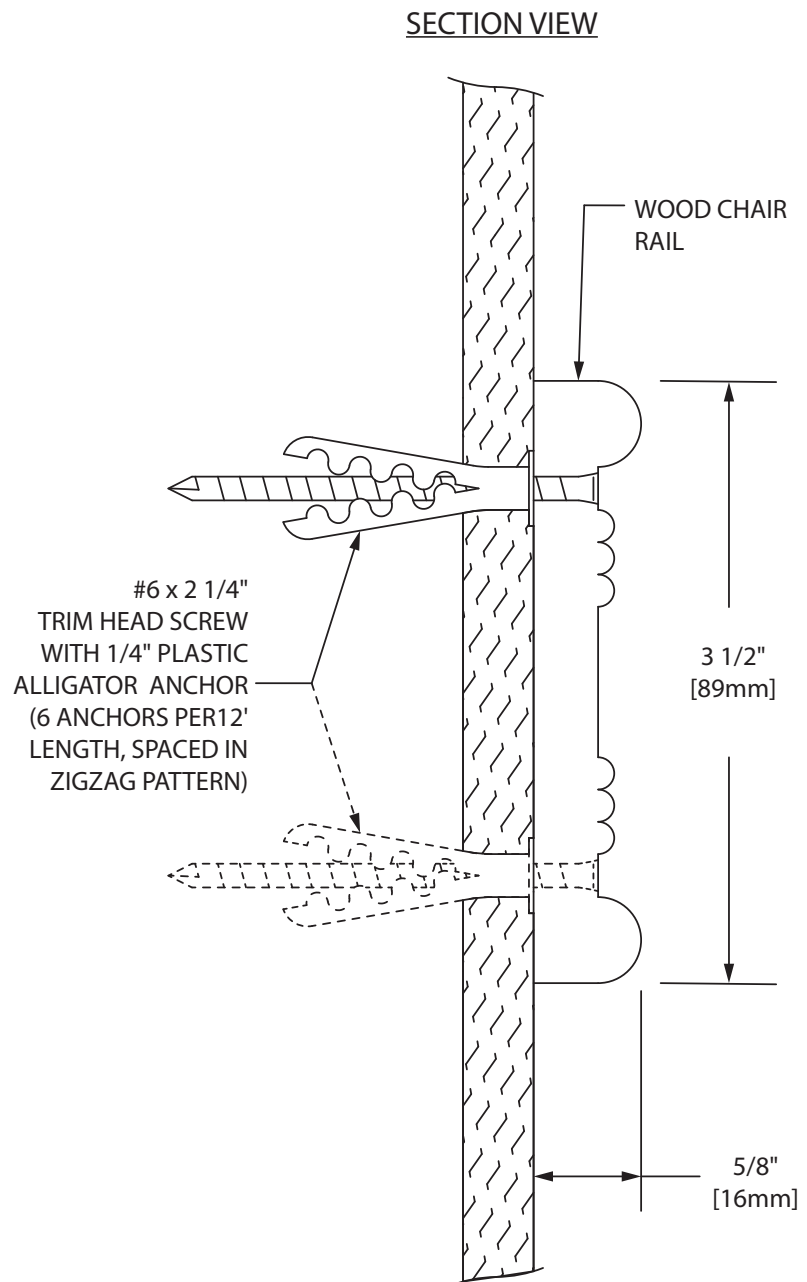
Material must be stored, installed and used in environmentally controlled conditions.

Important

1. Install product in environmentally controlled conditions.
2. Acclimate materials 24 hrs before installation. Maintain temperature controlled environment after installation.
3. Installers should be familiar with the installation of fine finished wood products.
4. Install in accordance with manufacturer's installation instructions. Failure to do so will void the warranty.

Installation tips

1. Wood is a natural material, therefore component color may vary. Sort the parts by color (light to dark) before use.
2. When storing straight lengths of material, lay product flat on supported surface. Do not lean the rails or lay them on unsupported parallel saw horses.



RECOMMENDED TOOLS

Safety Glasses, Tape Measure, Level, Chalk Line, Power Drill, Drill Bits - 1/4" masonry (concrete/concrete block), Power nailer, socket or hex drive set, and a Phillips head screwdriver.

IPC.311/REV.3

Installation Hotline • 866.EZINPRO
Inprocorp.com • 800.222.5556 • 262.679.9010
World Headquarters S80 W18766 Apollo Drive, Muskego, WI 53150 USA

IPC •
DOOR + WALL PROTECTION SYSTEMS
A DIVISION OF INPRO®

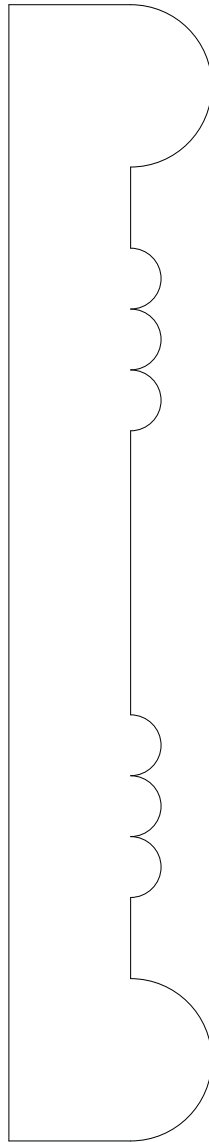
Installation Instructions

CR1 Wood Chair Rail - Pre-Assembled Length

Please read all instructions before installing.

Material must be stored, installed and used in environmentally controlled conditions.

Component



CR1
NORTHERN
HARDWOOD
CHAIR RAIL

Fasteners

Wall Condition	Specified Fasteners	Inpro part #
Gypsum Wall	#6 x 2 1/4" Trim Head Screw with Alligator Anchor	N/A

Installation Hotline • 866.EZINPRO
Inprocorp.com • 800.222.5556 • 262.679.9010
World Headquarters S80 W18766 Apollo Drive, Muskego, WI 53150 USA

IPC® •
DOOR + WALL PROTECTION SYSTEMS
A DIVISION OF INPRO®

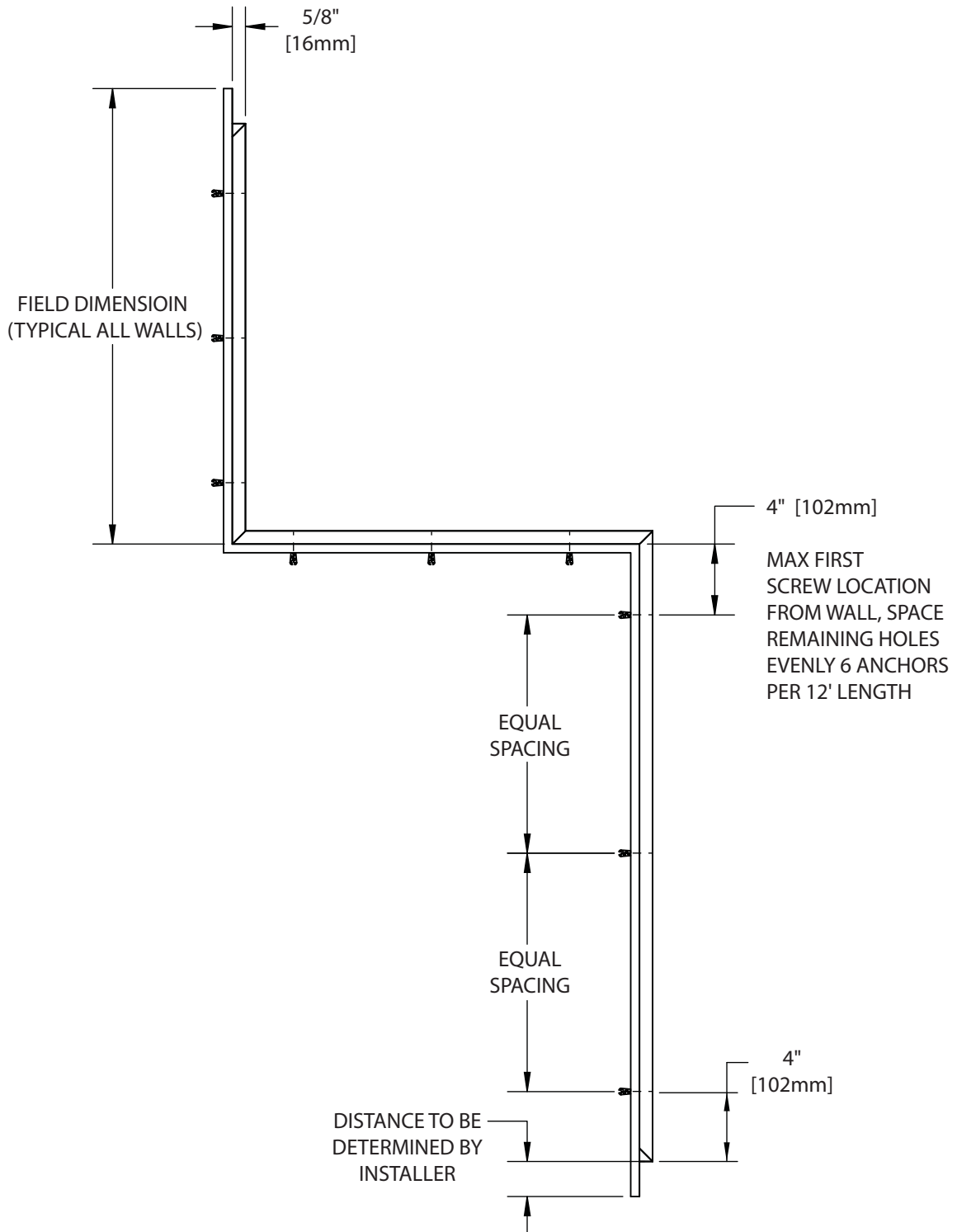
Installation Instructions

CR1 Wood Chair Rail - Pre-Assembled Length

Please read all instructions before installing.

Material must be stored, installed and used in environmentally controlled conditions.

Layout View



Installation Hotline • 866.EZINPRO

Inprocorp.com • 800.222.5556 • 262.679.9010

World Headquarters S80 W18766 Apollo Drive, Muskego, WI 53150 USA

IPC •

DOOR + WALL PROTECTION SYSTEMS
A DIVISION OF INPRO®

Installation Instructions

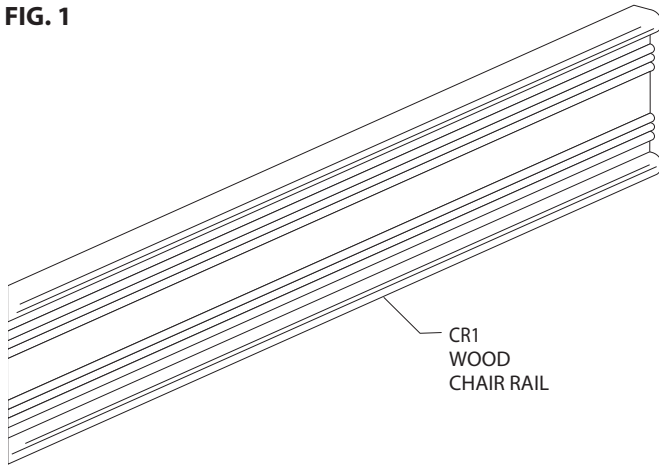
CR1 Wood Chair Rail - Pre-Assembled Length

Please read all instructions before installing.

Material must be stored, installed and used in environmentally controlled conditions.

Installation Instructions

FIG. 1



NOTE: For pre-assembled chair rail, chair rail ships in pre-cut lengths with ends pre-assembled. If outside and inside corners are required, an extra 4" of rail is included to miter cut, glue and pin nail these corners. All boxes and components are marked to coincide with the floor plan drawings. Layout and identify the components needed for each section to be installed.

1. Snap a chalk line at the required height. Cut rail, if necessary, to required length allowing $\frac{5}{8}$ " (16mm) for outside corners. SEE FIG 1.

2. Inside and outside corners: miter cut the rail in the proper direction.

a. For inside corners: before mounting them to the wall, join the two miter cut pieces of rail, apply glue to the mating surfaces and pin nail the two pieces together with three $1\frac{1}{4}$ " finish nails. Wipe off excess glue with damp cloth. SEE FIG. 2b

b. For outside corners: attach one section to wall, (see steps 3 and 4 for installation). Apply glue to the mating surface and pin nail the two pieces together with three $1\frac{1}{4}$ " finish nails. Wipe off excess glue with damp cloth. SEE FIG. 2c

FIG. 2b

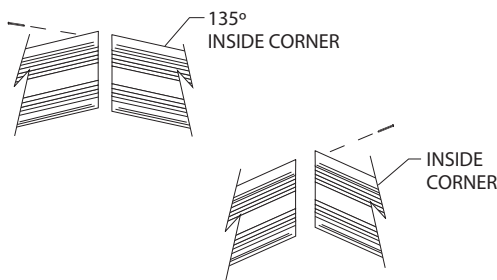
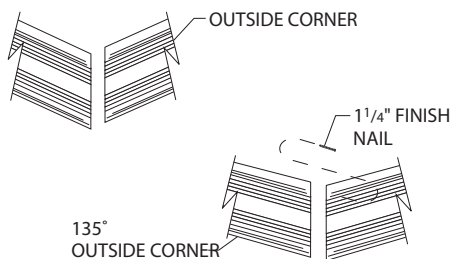


FIG. 2c



Installation Hotline • 866.EZINPRO

Inprocorp.com • 800.222.5556 • 262.679.9010

World Headquarters S80 W18766 Apollo Drive, Muskego, WI 53150 USA

IPC®

DOOR + WALL PROTECTION SYSTEMS
A DIVISION OF INPRO®

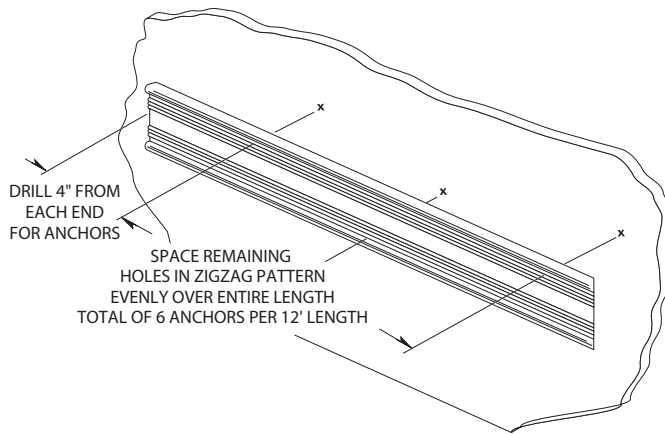
Installation Instructions

CR1 Wood Chair Rail - Pre-Assembled Length

Please read all instructions before installing.

Material must be stored, installed and used in environmentally controlled conditions.

FIG. 3



3. Drill 1/8" (3mm) holes in a zigzag pattern. Position chair rail on wall. Level and mark holes. SEE FIG 3.

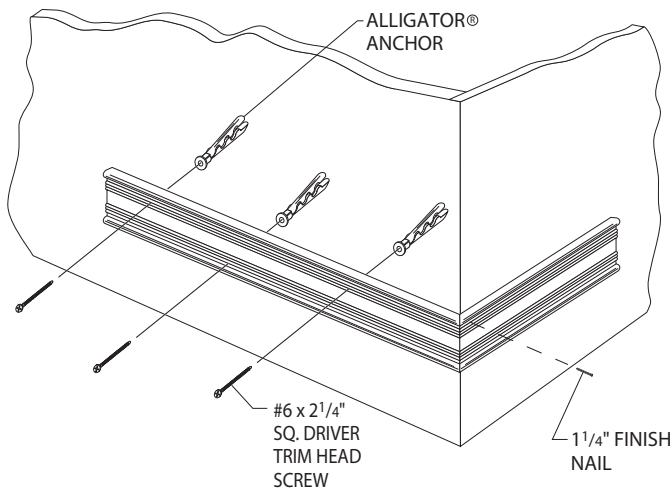
4. Drill marked holes on wall using a 1/4" (6mm) drill bit and position Alligator anchors into holes. Mount chair rail on wall and tighten screws to secure. Drive the screw so the head is below the surface of the wood. SEE FIG 4.

NOTE: If drilling into a masonry wall, drill deep enough for a 2 1/4" (57mm) fastener.

NOTE: Join longer sections of rail on the wall with a butt joint. Install fasteners, 4" (101mm) on either side of the joint.

5. Fill any holes in the wood with the putty from the touch up kit. Clean up any wood glue with a damp cloth. Remove any surplus materials and debris upon completion of the installation.

FIG. 4



Installation Hotline • 866.EZINPRO

Inprocorp.com • 800.222.5556 • 262.679.9010

World Headquarters S80 W18766 Apollo Drive, Muskego, WI 53150 USA

IPC®

DOOR + WALL PROTECTION SYSTEMS
A DIVISION OF INPRO®