

# Installation Instructions

## CR12/G2 BioBlend®-CR12 Wood Chair Rail, No Insert - Pre-assembled Length

Please read all instructions before installing.

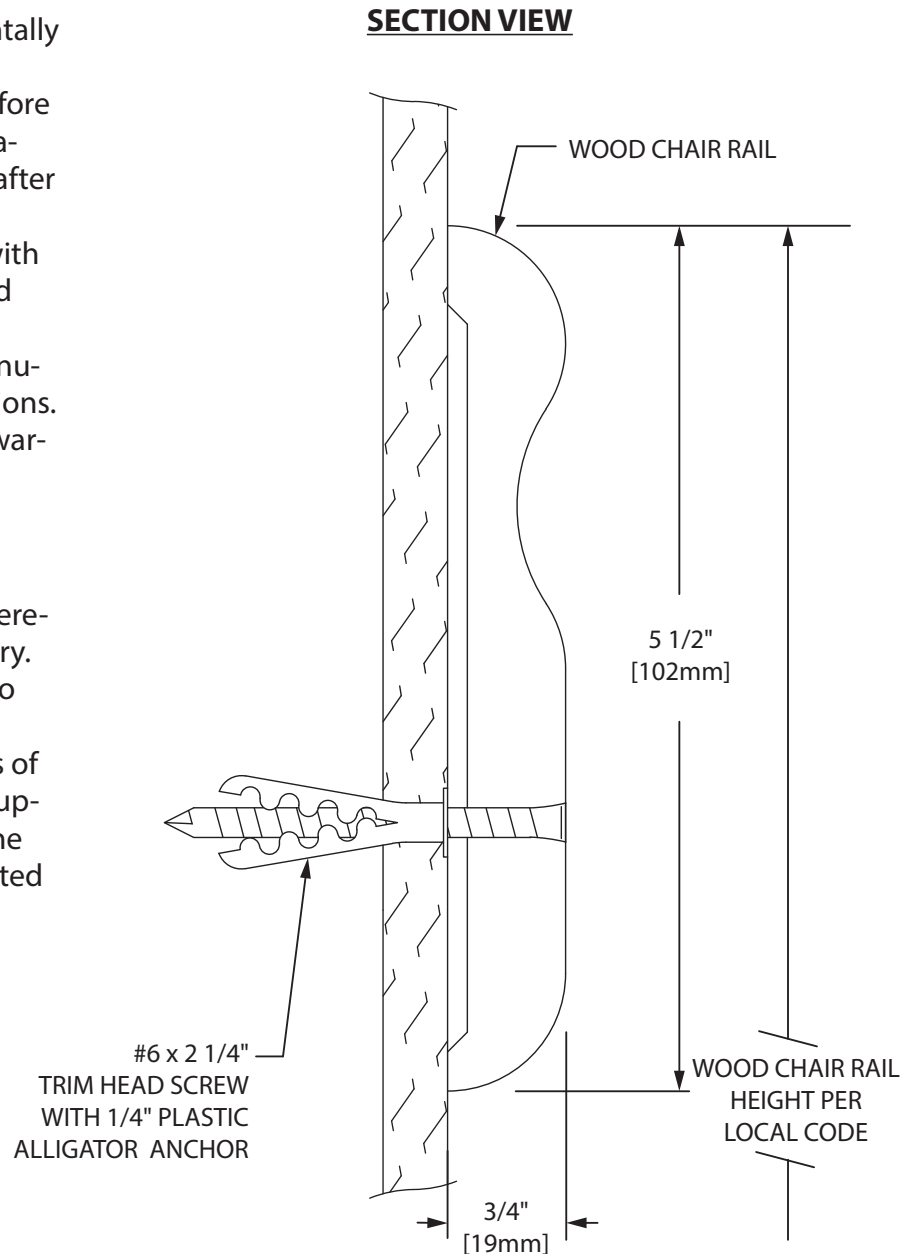
Material must be stored, installed and used in environmentally controlled conditions.

### Important

1. Install product in environmentally controlled conditions.
2. Acclimate materials 24 hrs before installation. Maintain temperature controlled environment after installation.
3. Installers should be familiar with the installation of fine finished wood products.
4. Install in accordance with manufacturer's installation instructions. Failure to do so will void the warranty.

### Installation tips

1. Wood is a natural material, therefore component color may vary. Sort the parts by color (light to dark) before use.
2. When storing straight lengths of material, lay product flat on supported surface. Do not lean the rails or lay them on unsupported parallel saw horses.



### RECOMMENDED TOOLS

Safety Glasses, Tape Measure, Level, Chal Line, Power Drill, Drill Bits - 1/4" masonry (concrete/concrete block), Power nailer, socket or hex drive set, and a Phillips head screwdriver.

IPC.1188/REV.2

Installation Hotline • 866.EZINPRO  
Inprocorp.com • 800.222.5556 • 262.679.9010  
World Headquarters S80 W18766 Apollo Drive, Muskego, WI 53150 USA

**IPC** •  
DOOR + WALL PROTECTION SYSTEMS  
A DIVISION OF INPRO®

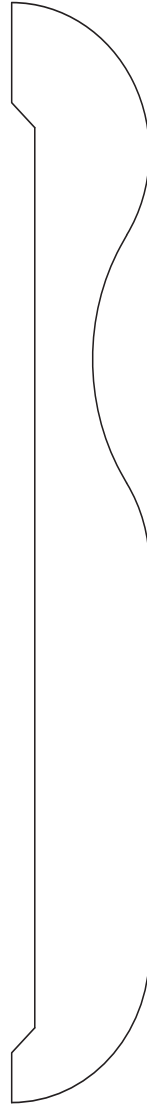
# Installation Instructions

## CR12/G2 BioBlend®-CR12 Wood Chair Rail, No Insert - Pre-assembled Length

Please read all instructions before installing.

Material must be stored, installed and used in environmentally controlled conditions.

### Component



CR12-A  
NORTHERN HARDWOOD  
CHAIR RAIL

### Fasteners

Wall Condition	Specified Fasteners	Inpro part #
Gypsum Wall	#6 x 2 1/4" Trim Head Screw with Alligator Anchor	N/A

Installation Hotline • 866.EZINPRO  
Inprocorp.com • 800.222.5556 • 262.679.9010  
World Headquarters S80 W18766 Apollo Drive, Muskego, WI 53150 USA

**IPC**® •  
DOOR + WALL PROTECTION SYSTEMS  
A DIVISION OF INPRO®

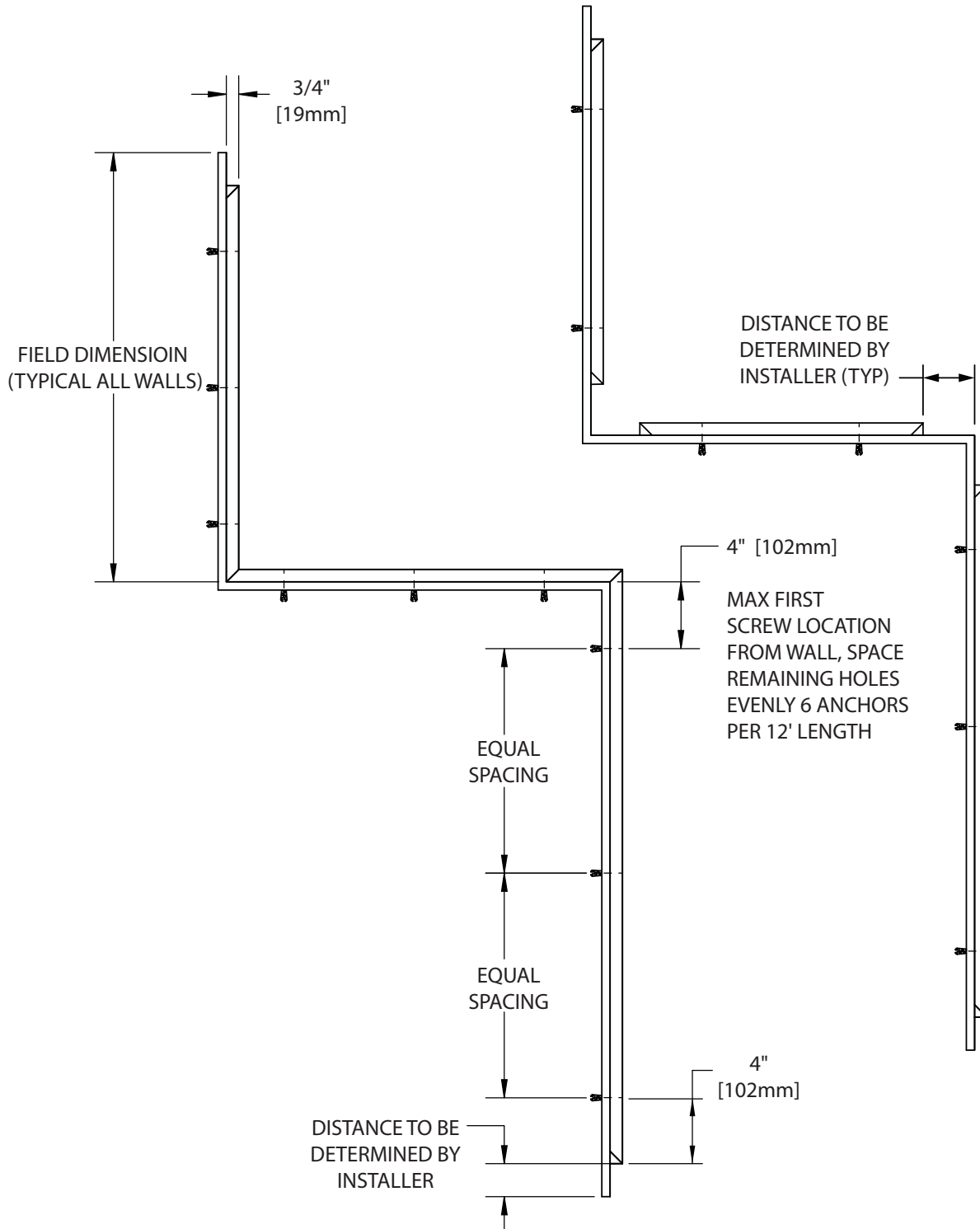
# Installation Instructions

## CR12/G2 BioBlend®-CR12 Wood Chair Rail, No Insert - Pre-assembled Length

Please read all instructions before installing.

Material must be stored, installed and used in environmentally controlled conditions.

### Layout View



Installation Hotline • 866.EZINPRO

Inprocorp.com • 800.222.5556 • 262.679.9010

World Headquarters S80 W18766 Apollo Drive, Muskego, WI 53150 USA

IPC®

DOOR + WALL PROTECTION SYSTEMS  
A DIVISION OF INPRO®

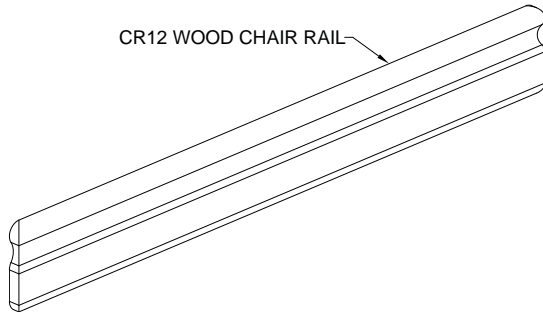
# Installation Instructions

## CR12/G2 BioBlend®-CR12 Wood Chair Rail, No Insert - Pre-assembled Length

Please read all instructions before installing.

Material must be stored, installed and used in environmentally controlled conditions.

FIG. 1

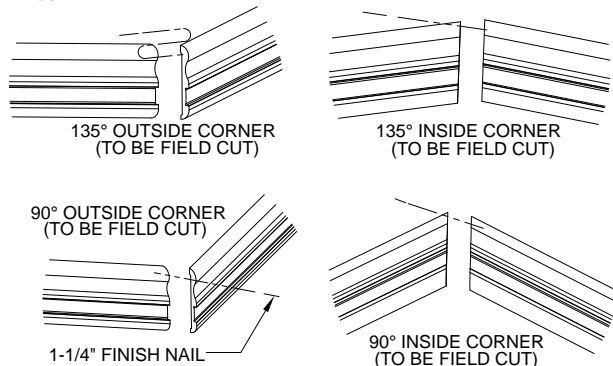


SEE SHEET 2 FOR OPTIONAL END CONDITIONS

NOTE: Chair rails ship in pre-cut lengths with ends pre-assembled. If outside and inside corners are required, an extra 4" of rail is included for the installer to miter cut, glue, and pin nail these corners. All boxes and components are marked to coincide with the floor plan drawings. Layout and identify the components needed for each section to be installed.

1. Snap a level chalk line at the required height for the chair rail. SEE FIG. 1
2. Inside and Outside Corner Conditions: SEE FIG. 2  
When corners are part of the installation the installer must miter cut, glue, and pin nail these conditions.
  - A. Determine the cut length of the rail by measuring the distance from where the rail starts on the wall to the corner of the wall. For outside corners add 3/4" (19mm) (19mm). Miter cut the rail in the proper direction.
  - B. Inside corners: before mounting them to the wall, join the two miter cut pieces of rail, apply glue to the mating surfaces and pin nail the two pieces together with three 1-1/4" finish nails. Wipe off excess glue with damp cloth.
  - C. Outside corners: attach one section to wall, (see steps 3 and 4 for installation). Apply glue to the mating surface and pin nail the two pieces together with three 1-1/4" finish nails. Wipe off excess glue with damp cloth.
3. Drill 1/8" (3mm) holes in the chair rail in a zig-zag pattern, 4" (102mm) from each end and spaced evenly over the entire length (6 fasteners per 12' (3.04m) length).
4. Hold the chair rail to the wall and transfer the holes to the wall. Drill 1/4" (6.5mm) holes in the wall. If drilling into a masonry wall, drill deep enough for a 2-1/4" (57mm) fastener.
5. Position the ALLIGATOR anchors into the holes on the wall. Mount the chair rail with #6 x 2-1/4" trim head screws, tightening them into the anchors to secure the chair rail. Drive the screw so the head is below the surface of the wood. Fill this void with putty from the touch-up kit. SEE FIG. 3

FIG. 2



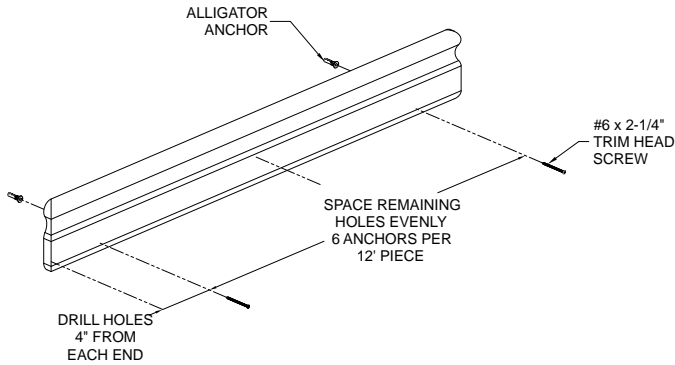
# Installation Instructions

## CR12/G2 BioBlend®-CR12 Wood Chair Rail, No Insert - Pre-assembled Length

Please read all instructions before installing.

Material must be stored, installed and used in environmentally controlled conditions.

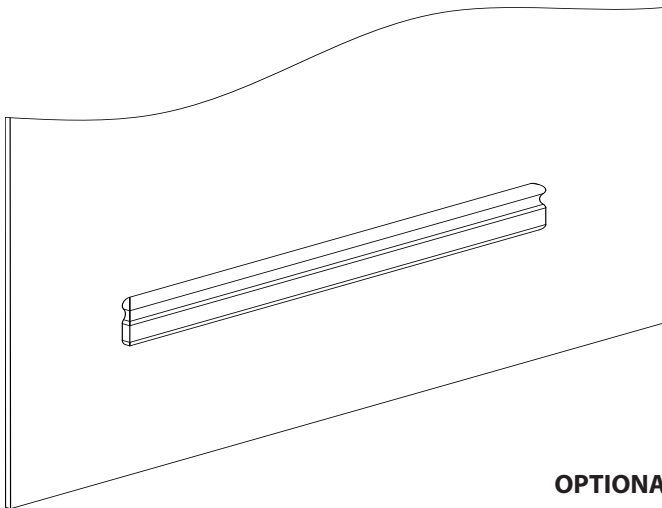
FIG. 3



6. Join longer sections of rail on the wall with a butt joint. Install fasteners, 4" (101mm) on either side of the joint.

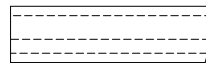
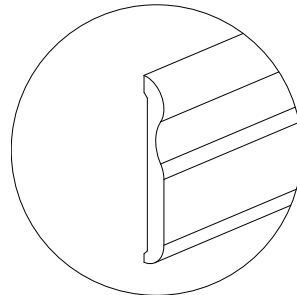
7. Fill any holes in the wood with the putty from the touch up kit. Clean up any wood glue with a damp cloth. Remove any surplus materials, and debris upon completion of the installation. SEE FIG. 4

FIG. 4

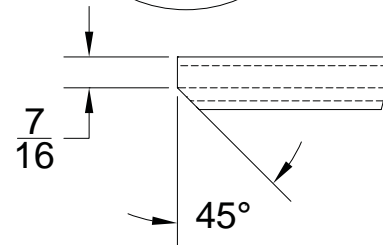
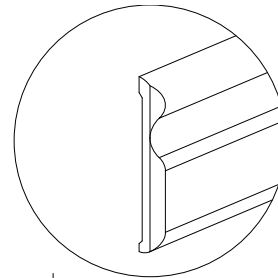


### OPTIONAL END CONDITIONS

STRAIGHT CUT



45° BEVEL



Installation Hotline • 866.EZINPRO

Inprocorp.com • 800.222.5556 • 262.679.9010

World Headquarters S80 W18766 Apollo Drive, Muskego, WI 53150 USA

IPC®

DOOR + WALL PROTECTION SYSTEMS  
A DIVISION OF INPRO®