

Installation Instructions

CR12/G2-CR12 Wood Chair Rail, No Insert-Stock Length

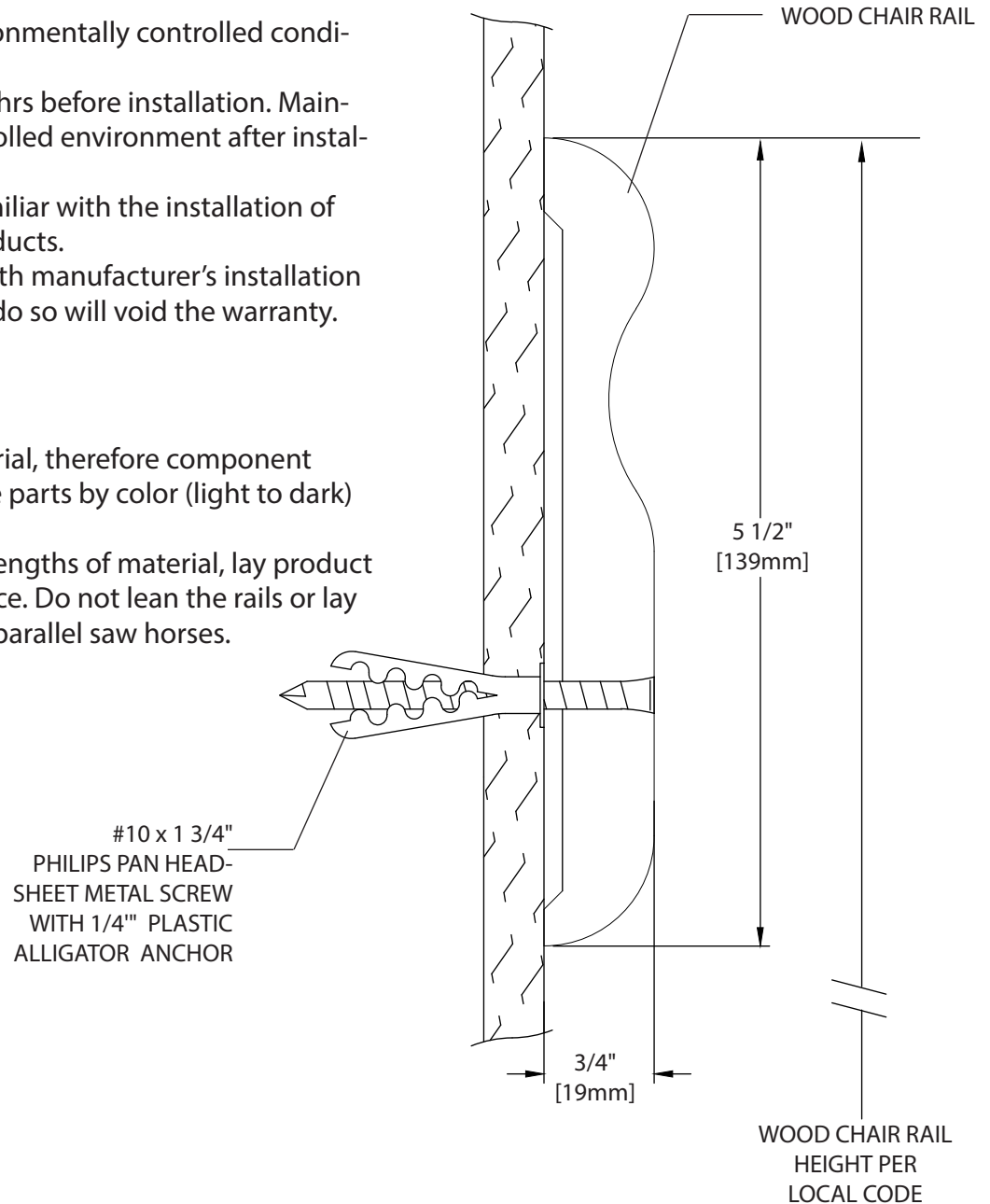
Please read all instructions before installing Chair Rail.

Important

1. Install product in environmentally controlled conditions.
2. Acclimate materials 24 hrs before installation. Maintain temperature controlled environment after installation.
3. Installers should be familiar with the installation of fine finished wood products.
4. Install in accordance with manufacturer's installation instructions. Failure to do so will void the warranty.

Installation tips

1. Wood is a natural material, therefore component color may vary. Sort the parts by color (light to dark) before use.
2. When storing straight lengths of material, lay product flat on supported surface. Do not lean the rails or lay them on unsupported parallel saw horses.



SECTION VIEW

RECOMMENDED TOOLS

Safety Glasses, Tape Measure, Level, Chal Line, Power Drill, Drill Bits - 1/4" masonry (concrete/concrete block), Power nailer, socket or hex drive set, and a Phillips head screwdriver.

IPC.1187/REV.2

Installation Hotline . 866.EZINPRO

Inprocorp.com . 800.222.5556 . 262.679.9010

World Headquarters S80 W18766 Apollo Drive, Muskego, WI 53150 USA

IPC® •

DOOR + WALL PROTECTION SYSTEMS

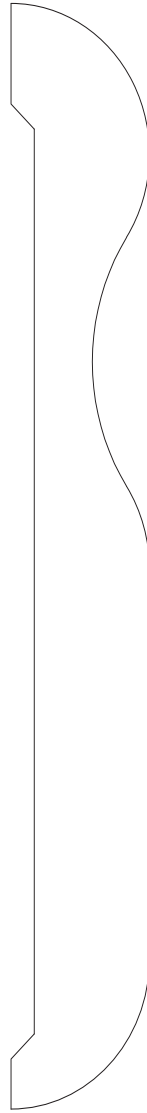
A DIVISION OF INPRO®

Installation Instructions

CR12/G2-CR12 Wood Chair Rail, No Insert-Stock Length

Please read all instructions before installing Chair Rail.

Components and Fasteners



CR12-A
NORTHERN HARDWOOD
CHAIR RAIL

Fasteners

Wall Condition	Specified Fasteners	Inpro part #
Gypsum Wall	#10 1 3/4" Phillips pan head sheet metal screw with alligator anchor	HWK-WG/CR

Installation Hotline . 866.EZINPRO

Inprocorp.com . 800.222.5556 . 262.679.9010

World Headquarters S80 W18766 Apollo Drive, Muskego, WI 53150 USA

IPC® •

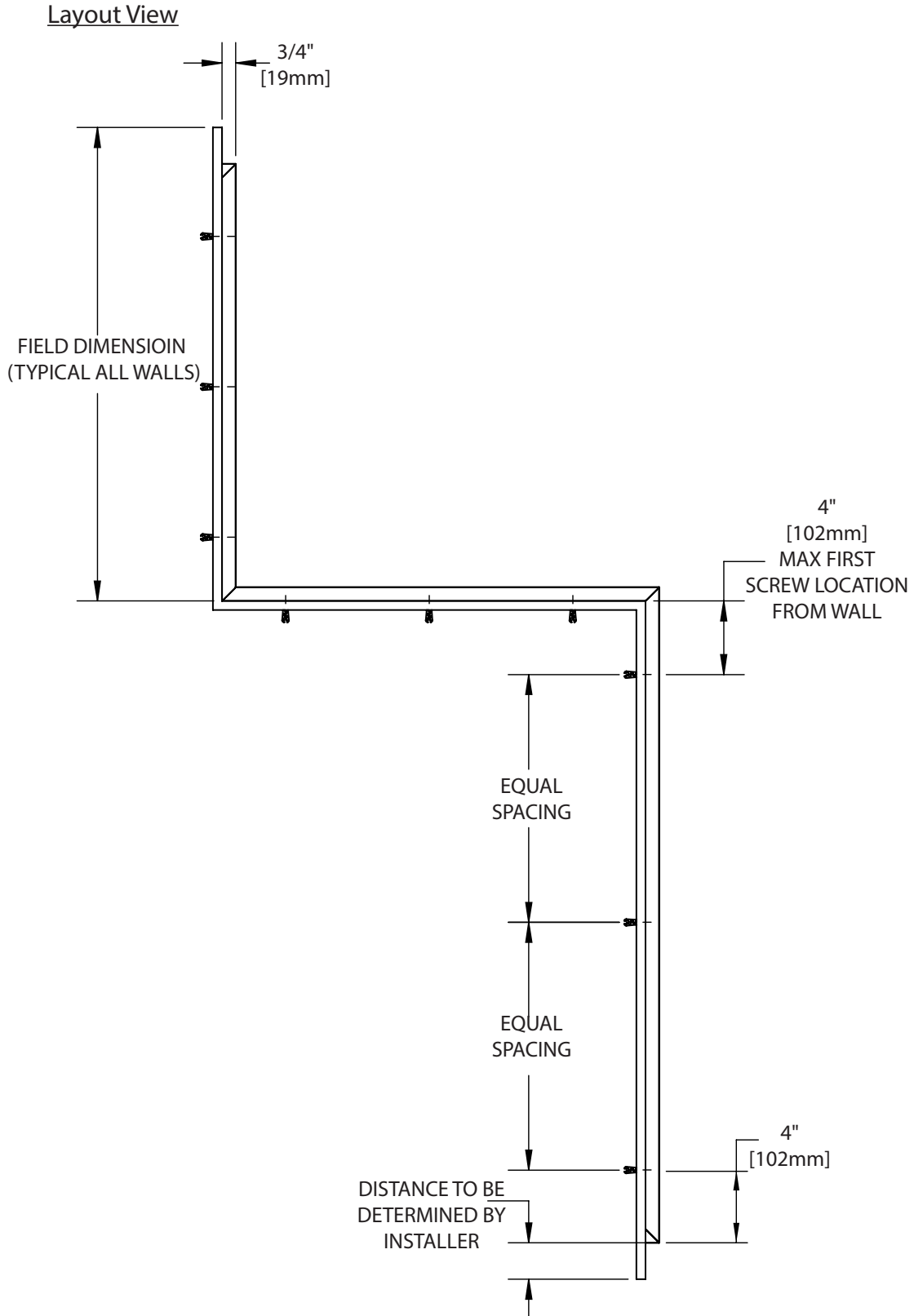
DOOR + WALL PROTECTION SYSTEMS

A DIVISION OF INPRO®

Installation Instructions

CR12/G2-CR12 Wood Chair Rail, No Insert-Stock Length

Please read all instructions before installing Chair Rail.



Installation Hotline . 866.EZINPRO

Inprocorp.com . 800.222.5556 . 262.679.9010

World Headquarters S80 W18766 Apollo Drive, Muskego, WI 53150 USA

IPC®

DOOR + WALL PROTECTION SYSTEMS

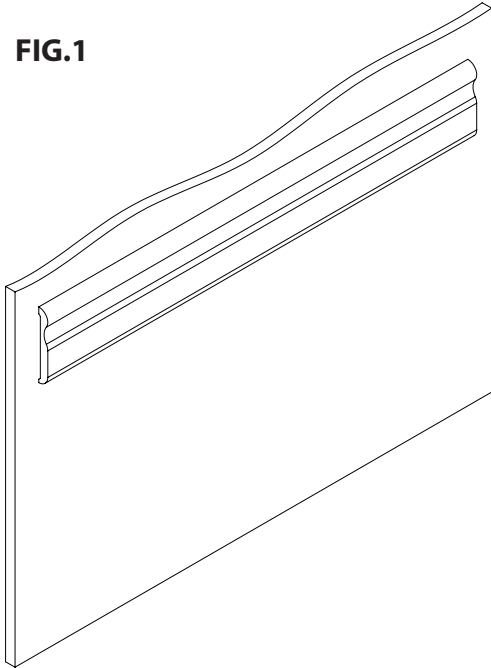
A DIVISION OF INPRO®

Installation Instructions

CR12/G2-CR12 Wood Chair Rail, No Insert-Stock Length

Please read all instructions before installing Chair Rail.

FIG.1



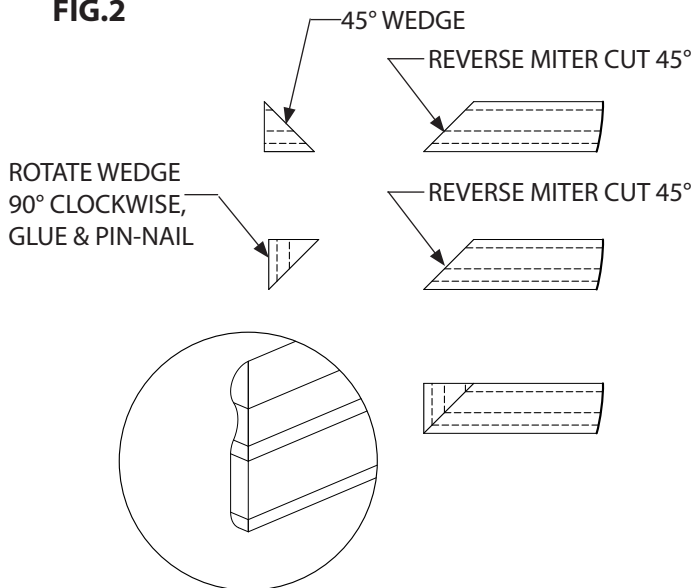
Note: All boxes and components are marked to coincide with the floor plan drawings. Layout and identify the components needed for each section to be installed. Chair Rails ship in 8'-16' (2.44m - 4.88m) lengths.

1. Snap a chalk line at the required height. Cut rail to required length allowing 3/4" (19mm) for outside corners. SEE FIG. 1
2. Inside corners, outside corner and end conditions:

a. End Conditions: to finish an end condition a reverse miter cut is recommended. Cut a reverse 45° angle on the rail length. Cut a 45° wedge from a straight rail length. Glue and pin nail this wedge to the reverse angle on the rail length. SEE FIG. 2.

SEE SHEET 4 FOR OPTIONAL END CONDITIONS

FIG.2

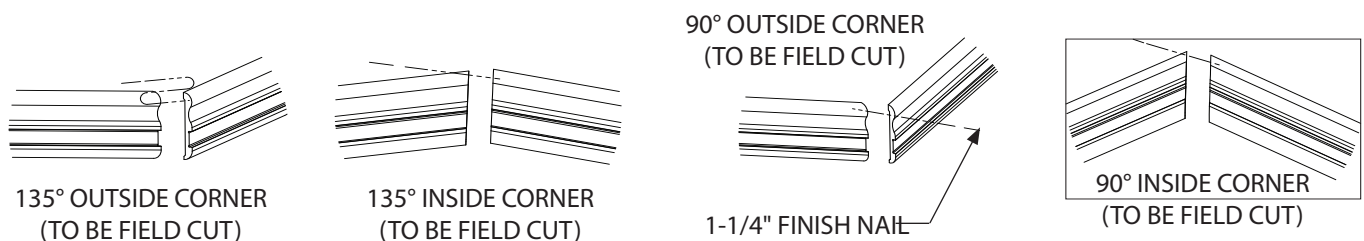


- b. Inside and outside corners: miter cut the rail in the proper direction. SEE FIG 3

Inside corners: before mounting them to the wall, join the two miter cut pieces of rail, apply glue to the mating surfaces and pin nail the two pieces together with three 1-1/4" finish nails. Wipe off excess glue with damp cloth.

Outside corners: attach one section to wall, (see steps 3 and 4 for installation). Apply glue to the mating surface and pin nail the two pieces together with three 1-1/4" finish nails.

3. Wipe off excess glue with damp cloth.



Installation Hotline . 866.EZINPRO

Inprocorp.com . 800.222.5556 . 262.679.9010

World Headquarters S80 W18766 Apollo Drive, Muskego, WI 53150 USA

IPC®

DOOR + WALL PROTECTION SYSTEMS

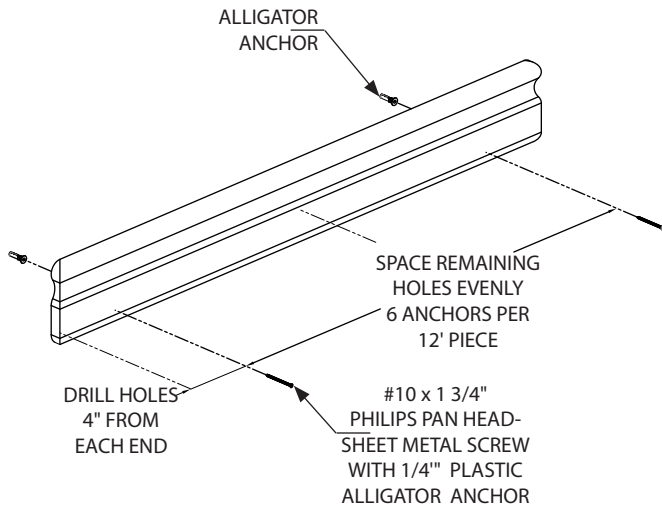
A DIVISION OF INPRO®

Installation Instructions

CR12/G2-CR12 Wood Chair Rail, No Insert-Stock Length

Please read all instructions before installing Chair Rail.

FIG.4



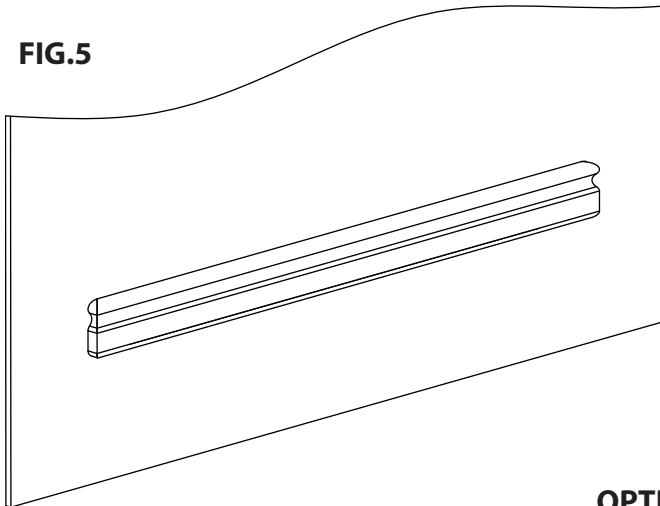
3. Drill 1/8" (3mm) holes in a zigzag pattern (6 fasteners per 12' (3.66m) length). Position chair rail on wall. Level and mark hole locations.

4. Drill marked holes on wall using a 1/4" drill bit and position Alligator anchors into holes. Mount chair rail on wall and tighten screws to secure. Drive the screw so the head is below the surface of the wood. SEE FIG. 4

NOTE: If drilling into a masonry wall, drill deep enough for a 2-1/4" (57mm) fastener.

NOTE: Join longer sections of rail on the wall with a butt joint. Install fasteners, 4" (101mm) on either side of the joint.

FIG.5



5. Fill any holes in the wood with the putty from the touchup kit. Clean up any wood glue with a damp cloth. Remove any surplus materials and debris upon completion of the installation. SEE FIG. 5

OPTIONAL END CONDITIONS

