

# Installation Instructions

## CR2/G2 BioBlend®-CR2 Wood Chair Rail - Pre-Assembled Length

Please read all instructions before installing.

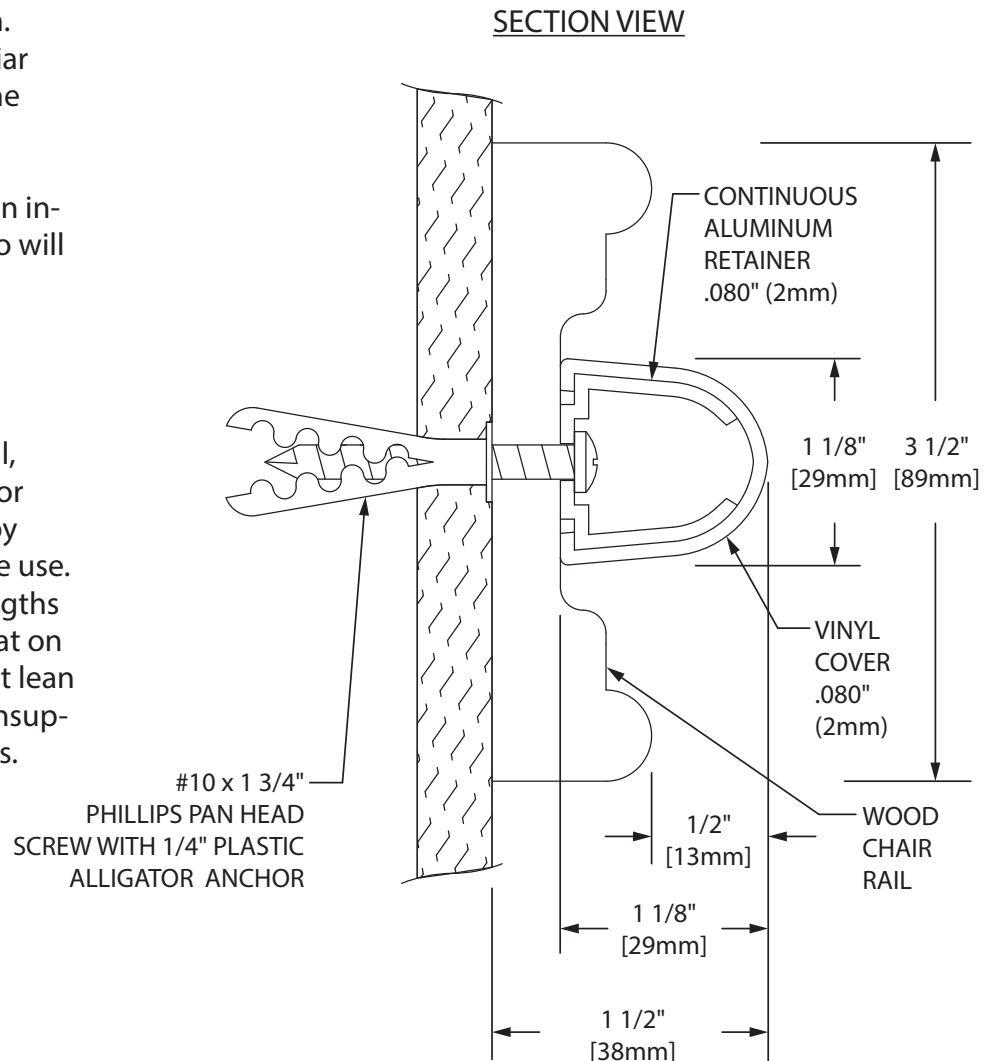
Material must be stored, installed and used in environmentally controlled conditions.

### Important

1. Install product in environmentally controlled conditions.
2. Acclimate materials 24 hrs before installation. Maintain temperature controlled environment after installation.
3. Installers should be familiar with the installation of fine finished wood products.
4. Install in accordance with manufacturer's installation instructions. Failure to do so will void the warranty.

### Installation tips

1. Wood is a natural material, therefore component color may vary. Sort the parts by color (light to dark) before use.
2. When storing straight lengths of material, lay product flat on supported surface. Do not lean the rails or lay them on unsupported parallel saw horses.



### RECOMMENDED TOOLS

Safety Glasses, Tape Measure, Level, Chal Line, Power Drill, Drill Bits - 1/4" masonry (concrete/concrete block), Power nailer, socket or hex drive set, and a Phillips head screwdriver.

IPC.314/REV.6

Installation Hotline • 866.EZINPRO  
Inprocorp.com • 800.222.5556 • 262.679.9010  
World Headquarters S80 W18766 Apollo Drive, Muskego, WI 53150 USA

**IPC®**  
DOOR + WALL PROTECTION SYSTEMS  
A DIVISION OF INPRO®

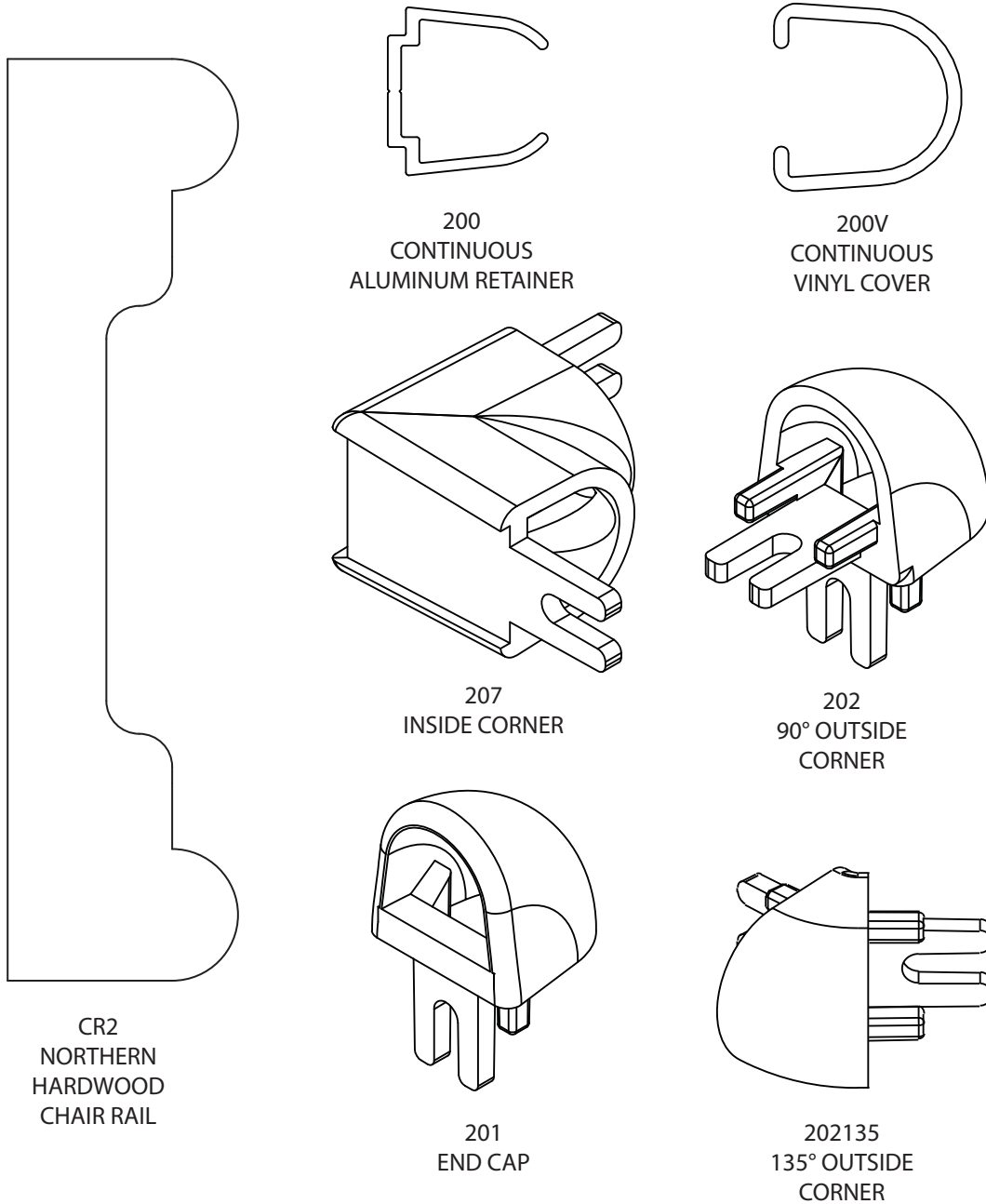
# Installation Instructions

## CR2/G2 BioBlend®-CR2 Wood Chair Rail - Pre-Assembled Length

Please read all instructions before installing.

Material must be stored, installed and used in environmentally controlled conditions.

### Components



### Fasteners

Wall Condition	Specified Fasteners	Inpro part #
Gypsum Wall/Concrete	#8 x 1/2" & #10 x 1 3/4" Phillips Pan Head Screw with 1/4" Alligator Anchor	HWK-1500BS

Installation Hotline • 866.EZINPRO  
 Inprocorp.com • 800.222.5556 • 262.679.9010  
 World Headquarters S80 W18766 Apollo Drive, Muskego, WI 53150 USA

**IPC**®  
 DOOR + WALL PROTECTION SYSTEMS  
 A DIVISION OF INPRO®

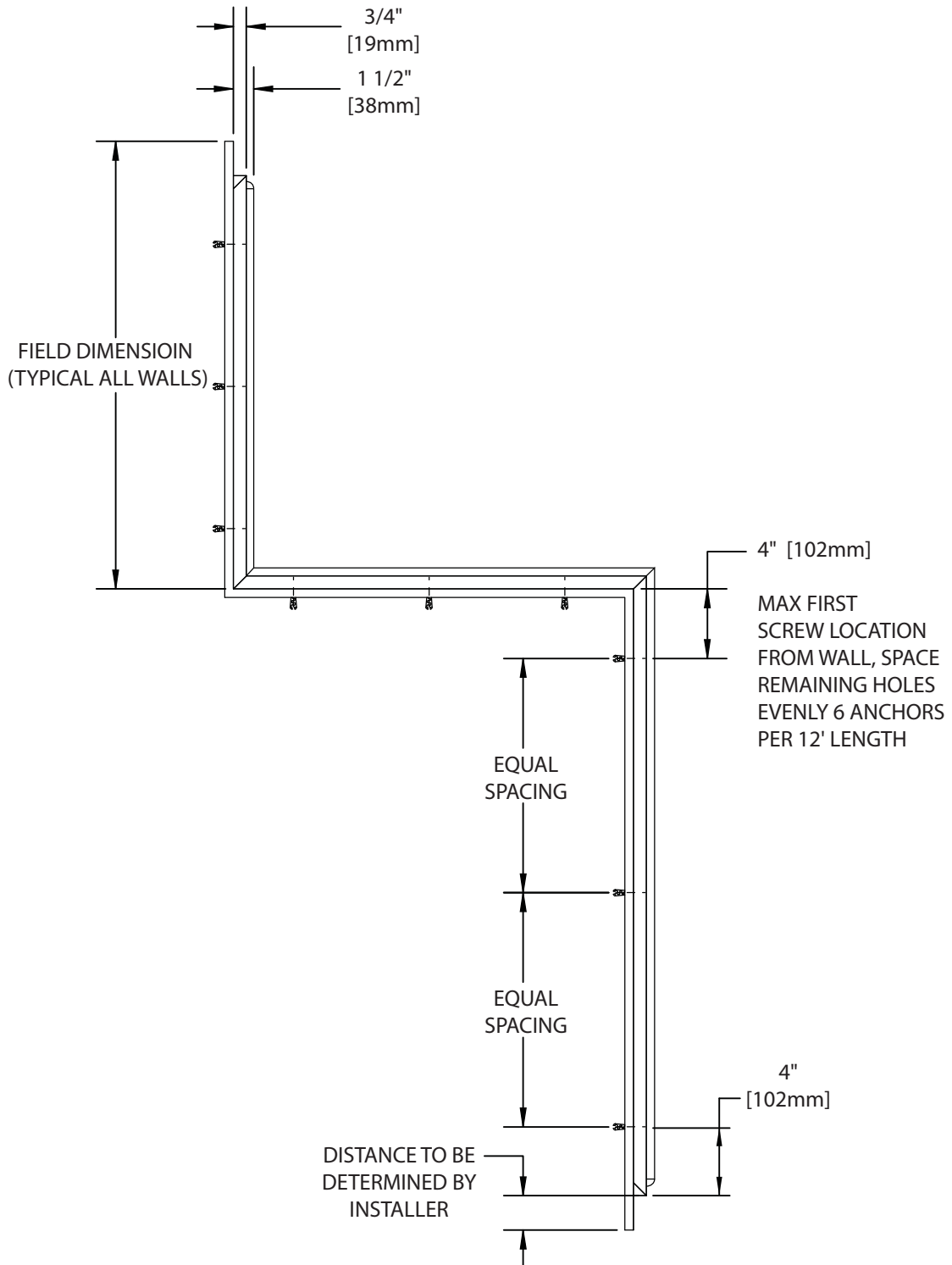
# Installation Instructions

## CR2/G2 BioBlend®-CR2 Wood Chair Rail - Pre-Assembled Length

Please read all instructions before installing.

Material must be stored, installed and used in environmentally controlled conditions.

### Layout View



Installation Hotline • 866.EZINPRO

Inprocorp.com • 800.222.5556 • 262.679.9010

World Headquarters S80 W18766 Apollo Drive, Muskego, WI 53150 USA

IPC®

DOOR + WALL PROTECTION SYSTEMS  
A DIVISION OF INPRO®

# Installation Instructions

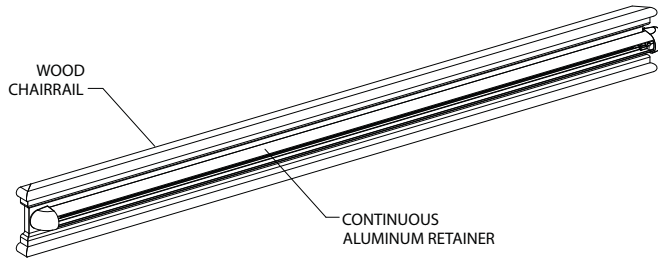
## CR2/G2 BioBlend®-CR2 Wood Chair Rail - Pre-Assembled Length

Please read all instructions before installing.

Material must be stored, installed and used in environmentally controlled conditions.

### Installation Instructions

FIG. 1



**NOTE:** Chair rails ship in pre-cut lengths with end caps and impact bumper components pre-assembled. Covers for the impact bumper are pre-cut and shrink-wrapped to the appropriate section of chair rail.

If outside and inside corners are required, an extra four inches is included for the installer to miter cut and pin nail these corners. Aluminum retainers, covers and molded corners of the impact bumper must be cut and attached as well. All boxes and components are marked to coincide with the floor plan drawings. Layout and identify the components needed for each section to be installed.

1. Determine the location of the chair rail on the wall.  
SEE FIG. 1

FIG. 2a-1

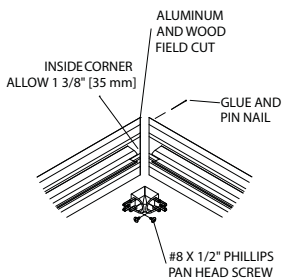
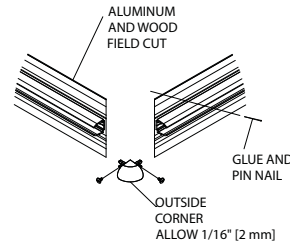


FIG. 2b-1



2. Inside and outside corner conditions: when corners are part of the installation the installer must miter cut, glue and pin nail these conditions.

a. Determine the cut length of the rail by measuring the distance from where the rail starts on the wall to the corner of the wall, adding 7/8" (22mm) for miter cut outside corners. Miter cut the rail in the proper direction.

b. Glue inside corners and pin nail them before mounting the rail to the wall. Glue outside corners after one section is on the wall and pin nail after both sections are on the wall.

FIG. 2a-2

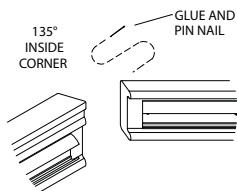
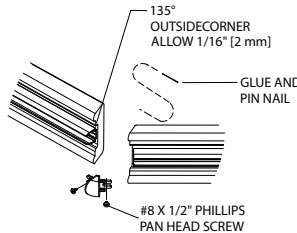


FIG. 2b-2



3. Cut the aluminum retainer to the required length, allowing for end caps and corners as needed.  
SEE FIG. 2a, 2b, 2c

a. Attach the aluminum to the wood rail with #8 x 1/2" Phillips pan head wood screws through the pre-drilled holes in the aluminum.

b. To attach the molded corners, drill a 3/16" (5mm) hole in the aluminum for the fastener. Attach the corners, with one #8 x 1/2" Phillips pan head wood screw in each tab of the molded part.

FIG. 2c-1

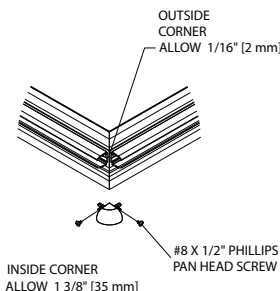
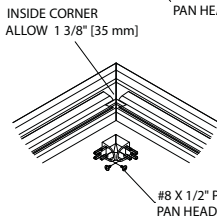


FIG. 2c-2



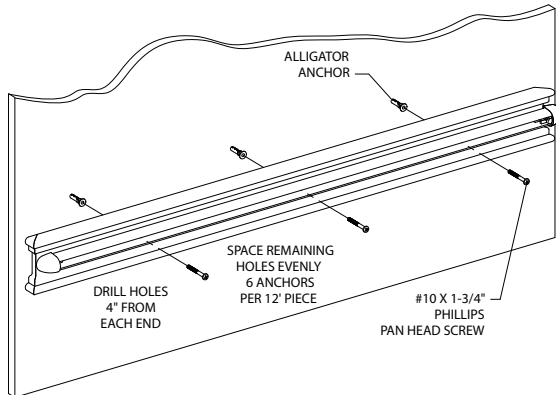
# Installation Instructions

## CR2/G2 BioBlend®-CR2 Wood Chair Rail - Pre-Assembled Length

Please read all instructions before installing.

Material must be stored, installed and used in environmentally controlled conditions.

FIG. 3



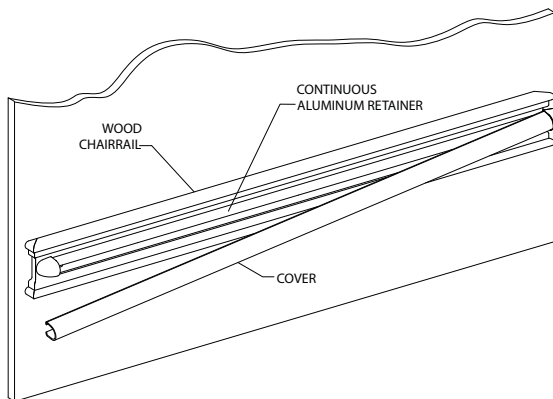
4. Drill 1/4" (6.5mm) holes in the centerline of the aluminum retainer 4" (102mm) from each end and spaced evenly over the entire length (six anchors per 12' (3.04m) length). SEE FIG. 3

5. Hold the chair rail to the wall, and transfer the holes to the wall. Drill 1/4" (6.5mm) holes in the wall.

6. Position the Alligator anchors into the holes on the wall. Mount the chair rail with #10 x 1 3/4" Phillips pan head screws and tighten the screws into the anchors to secure the chair rail.

7. Join longer sections of rail on the wall with a butt joint. Use fasteners 4" (102mm) on either side of the joint.

FIG. 4



8. Cut the cover to length. Position the cover on the aluminum retainer. Start at one end and push the cover over the aluminum retainer until it snaps into place. SEE FIG. 4

9. Fill any holes with putty from the touch-up kit. Clean up any wood glue with a damp cloth. Remove any surplus materials, and debris upon completion of the installation.

Installation Hotline • 866.EZINPRO

Inprocorp.com • 800.222.5556 • 262.679.9010

World Headquarters S80 W18766 Apollo Drive, Muskego, WI 53150 USA

IPC®

DOOR + WALL PROTECTION SYSTEMS  
A DIVISION OF INPRO®