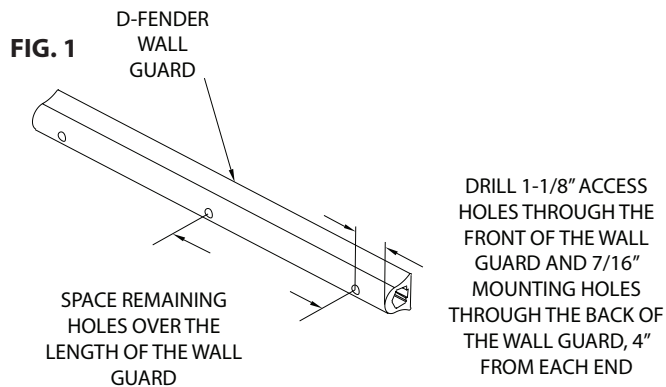


Installation Instructions

Heavy Duty Rubber D-Fender Wall Guard

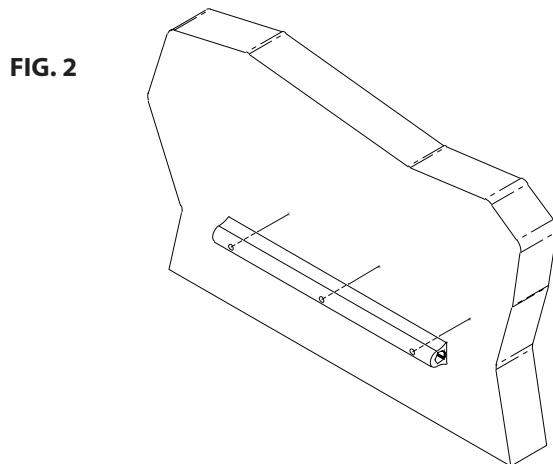
Please read all instructions before installing wallguard.



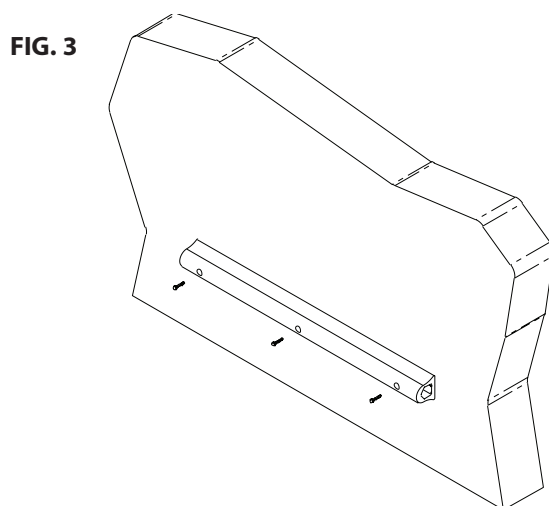
Note: Wall guards are rough-cut; cut square if needed. Height of the Wall Guard may vary over the length of the product. Match ends with similar height for best fit. To clean rubber products use water or, "Back to Black" tire cleaner for stubborn marks.

Please read all instructions before installing the wall guard.

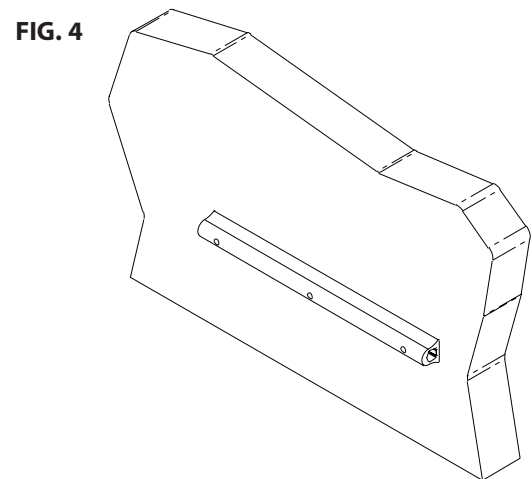
1. Cut the wall guard to desired length. Select a $\frac{3}{8}$ " [10mm] stainless steel fastener that is appropriate for the substrate. Drill $1\frac{1}{8}$ " access holes in the front of the wall guard and $\frac{7}{16}$ " mounting holes in the back of wall guard. (fig 1)



2. Use the wall guard as a template and mark the location of the mounting holes to the wall. Drill holes in the wall using the drill size recommended by the fastener manufacturer. (fig 2)



3. Attach the wall guard to the wall with fasteners. (fig 3) If required fill the access holes with a rubber compatible sealant.



IPC.407/REV.3

IPC® Door + Wall Protection

inpro.com • 800.222.5556 • 262.679.9010

World Headquarters S80 W18766 Apollo Drive, Muskego, WI 53150 USA

Installation Hotline: 866.394.6776

inpro®