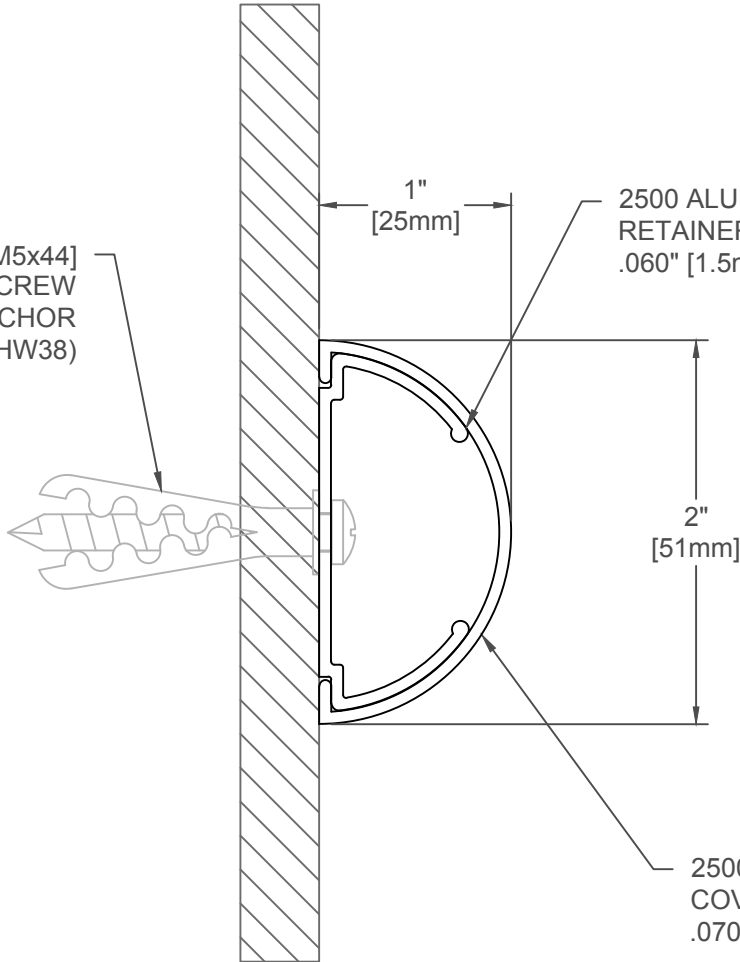


#10 x 1³/₄" [M5x44]
SHEET METAL SCREW
W/ ALLIGATOR ANCHOR
(HW53/HW38)



2500 G2 BIO-BLEND
COVER
.070" [1.5mm]

FINISH:

• IPC
DOOR + WALL
PROTECTION SYSTEMS

DATE: 3/17/11

SCALE: 1:1

DOC #:
CADIPC.117/rev1

G2-2500 CHAIR RAIL

PROJECT:

CUSTOMER:

LOCATION:

inpro.

For more information visit:
www.inprocorp.com