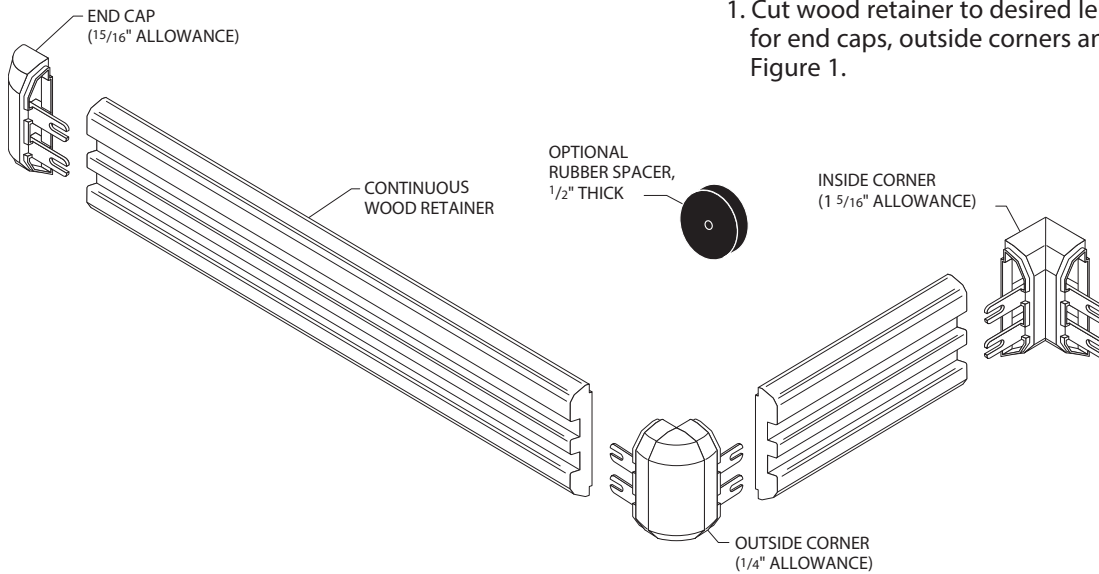


Installation Instructions

G2-5000W Wall Guard

Please read all instructions before installing wallguard.

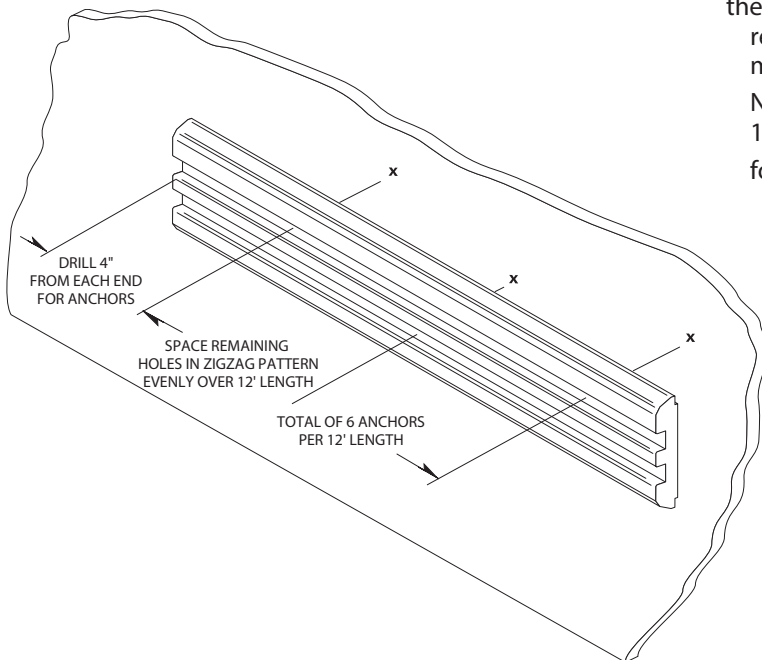
FIG. 1



Please read all instructions before installing wall guard.

1. Cut wood retainer to desired length, leaving allowance for end caps, outside corners and inside corners. See Figure 1.

FIG. 2



2. Drill holes in centerline of the mounting grooves of the retainer using 5/16" drill bit in a zigzag pattern. Position retainer on wall allowing for end caps/corners. Level and mark holes. See Figure 2.

NOTE: For concrete or brick wall installation, drill 1/4[6mm] holes, 3/8" [10mm] from each end of retainer for end caps/corners.

IPC.582/REV.5

IPC® Door + Wall Protection

inpro.com • 800.222.5556 • 262.679.9010

World Headquarters S80 W18766 Apollo Drive, Muskego, WI 53150 USA

Installation Hotline: 866.394.6776

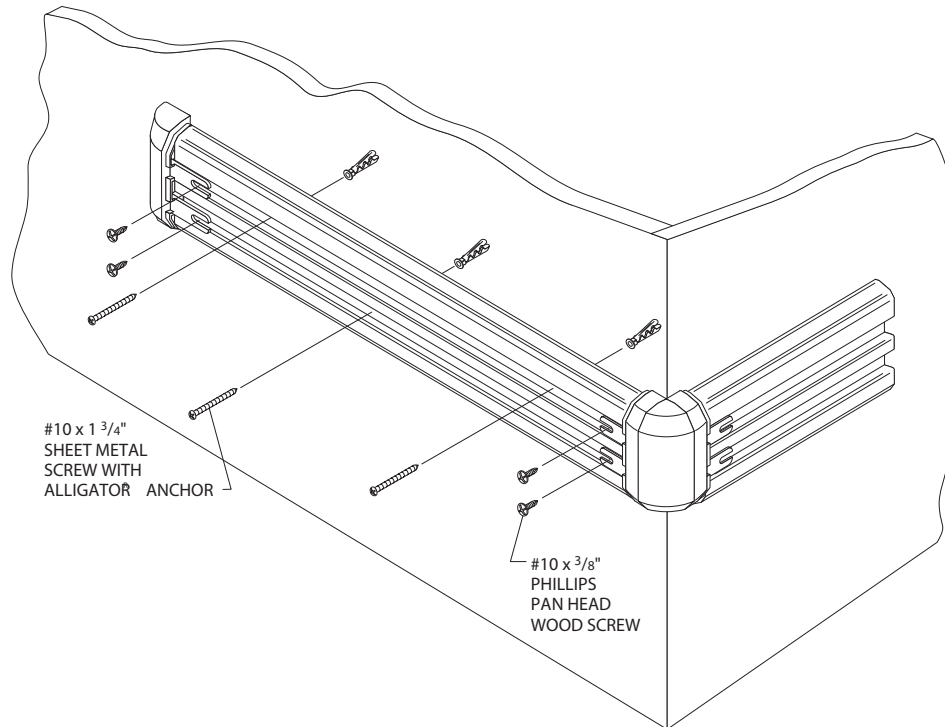
inpro®

Installation Instructions

G2-5000W Wall Guard

Please read all instructions before installing wallguard.

FIG. 3

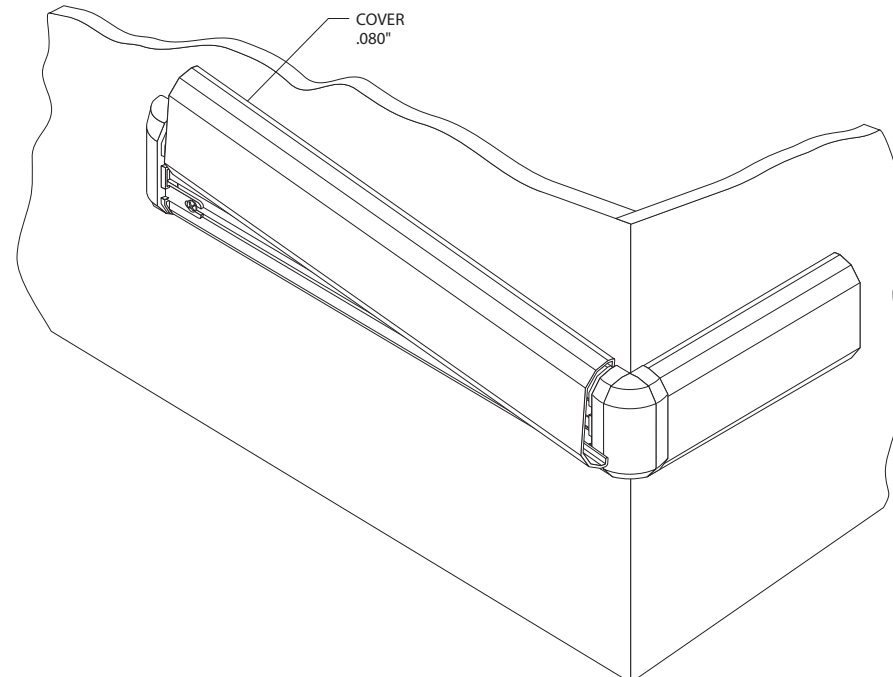


3. Drill marked holes on wall using a 1/4" [6mm] drill bit and position Alligator anchors into holes. Mount retainer on wall and tighten screws to secure. Slide end caps and corners onto the retainer and secure, leaving a 1/16" [1.5mm] gap between returns/corners and retainer to allow for adjustment. See Figure 3.

NOTE: For concrete or brick wall installation, use Alligator anchors and 11/4" self tapping screws to secure retainer to the wall.

NOTE: If rubber spacers are used, attach them behind the retainer at all mounting hole locations, including those for end caps and corners.

FIG. 4



4. Cut the cover to length between end caps and/or corners. (Note: Trim factory edges square before installation). Position cover on retainer and adjust returns and/or corners for a tight fit. Push cover over the retainer until it snaps into place. See Figure 4.

IPC® Door + Wall Protection

inpro.com • 800.222.5556 • 262.679.9010

World Headquarters S80 W18766 Apollo Drive, Muskego, WI 53150 USA

Installation Hotline: 866.394.6776

inpro®