

Installation Instructions

1400/1400W/1455/G2-1400 Wall Guard

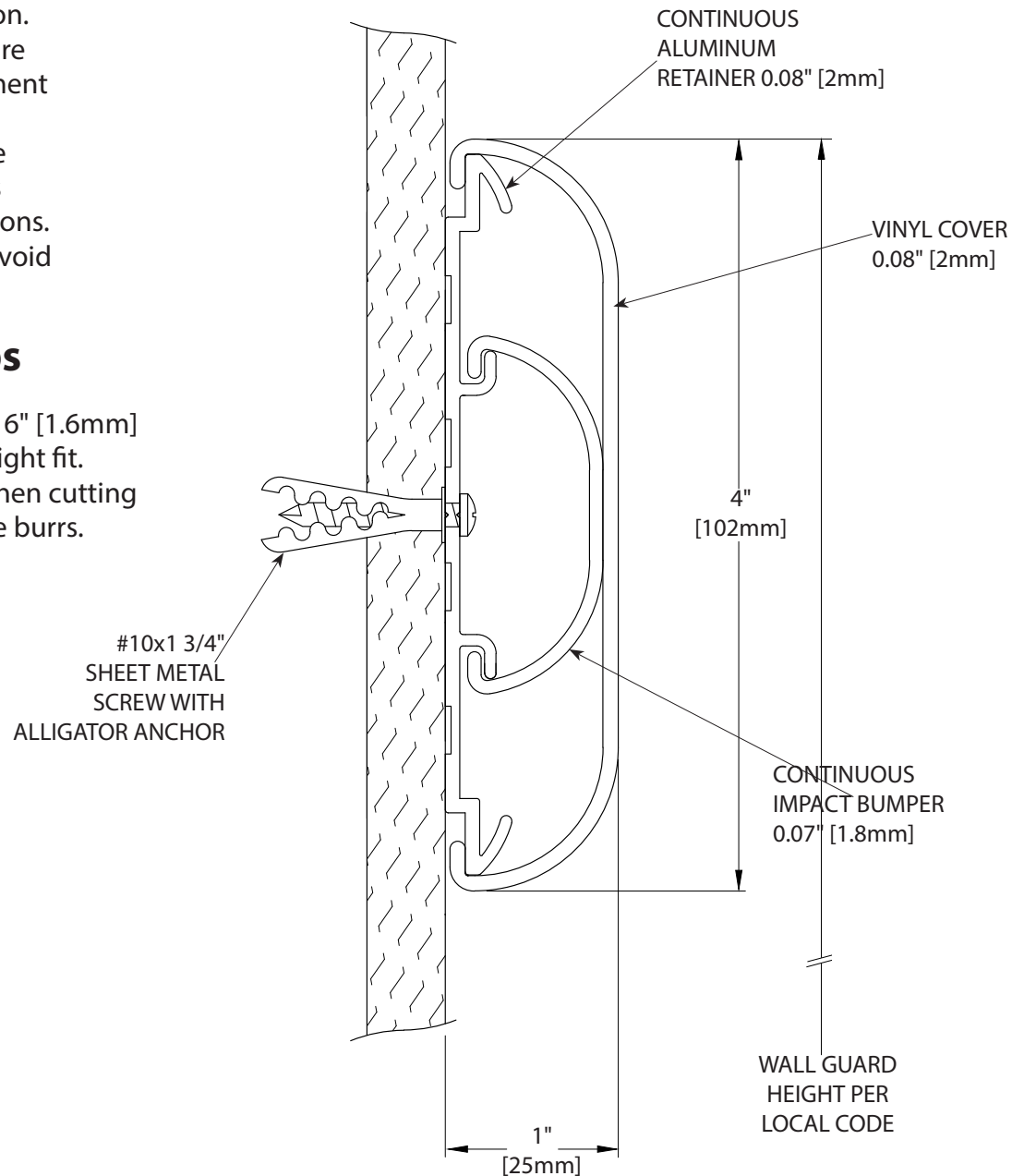
Please read all instructions before installing
Wall Guard.

Important

1. Acclimate materials 24 hrs before installation. Maintain temperature controlled environment after installation.
2. Install in accordance with manufacturer's installation instructions. Failure to do so will void the warranty.

Installation tips

1. Cut covers up to 1/16" [1.6mm] longer to ensure a tight fit.
2. Lubricate blades when cutting aluminum to reduce burrs.



SECTION VIEW

RECOMMENDED TOOLS

Safety Glasses, Tape Measure, Power Drill, Drill Bits - 1/4" masonry (concrete/concrete block), Power Miter Saw, 10" Blade with 60-80 Carbide Tipped Teeth

IPC.345/REV.10

Installation Hotline . 866.EZINPRO

Inprocorp.com . 800.222.5556 . 262.679.9010

World Headquarters S80 W18766 Apollo Drive, Muskego, WI 53150 USA

IPC® •

DOOR + WALL PROTECTION SYSTEMS

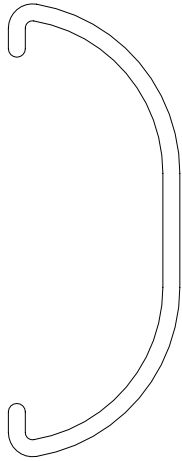
A DIVISION OF INPRO®

Installation Instructions

1400/1400W/1455/G2-1400 Wall Guard

Components and Fasteners

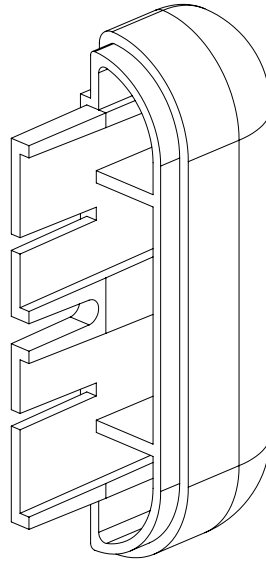
Please read all instructions before installing Wall Guard.



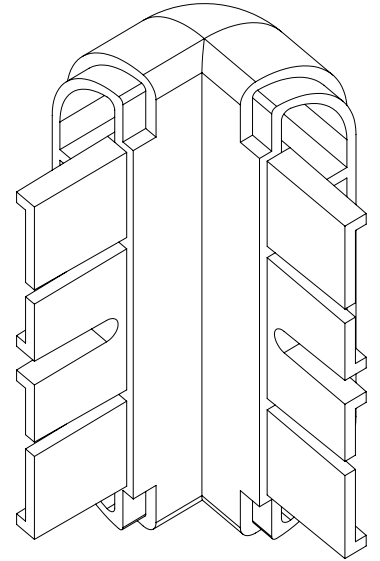
1400B
VINYL IMPACT
BUMPER



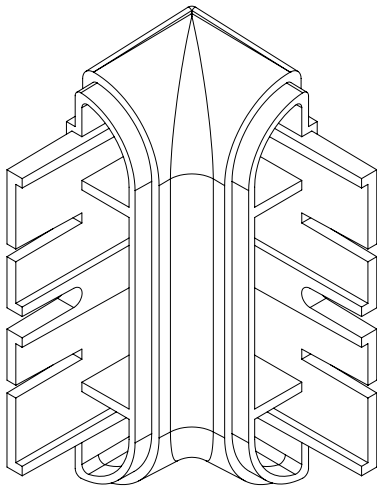
1400V
VINYL COVER



1402
END CAP



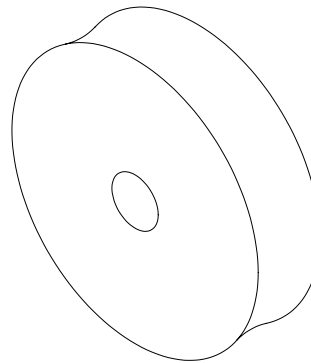
1403
OUTSIDE CORNER



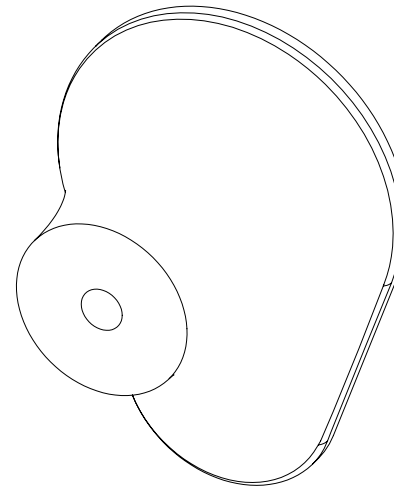
1407
INSIDE CORNER



1420A
CONTINUOUS
ALUMINUM RETAINER



501
RUBBER SPACER
1/2" THICK
(OPTIONAL)



801
INJECTION MOLDED
BRACKET
(OPTIONAL)

Wall Condition	Specified Fasteners	Inpro part #
Wall Guard Profile Hardware	#10 1 3/4" Phillips pan head sheet metal screw with alligator anchor	HWK-WG/CR
Infinity Profile Hardware	#10 1 3/4" Phillips pan head sheet metal screw with alligator anchor	HWK-1400I
Concrete Hardware for Corners	#10 1 3/4" Phillips pan head sheet metal screw with alligator anchor	HWK-CC
Drywall Hardware for Corners	#8 x 1 1/2" Phillips Indented Hex Washer Self-Drilling Screw #2PT ZP	HWK-CDW

Installation Hotline . 866.EZINPRO

Inprocorp.com . 800.222.5556 . 262.679.9010

World Headquarters S80 W18766 Apollo Drive, Muskego, WI 53150 USA

IPC®

DOOR + WALL PROTECTION SYSTEMS

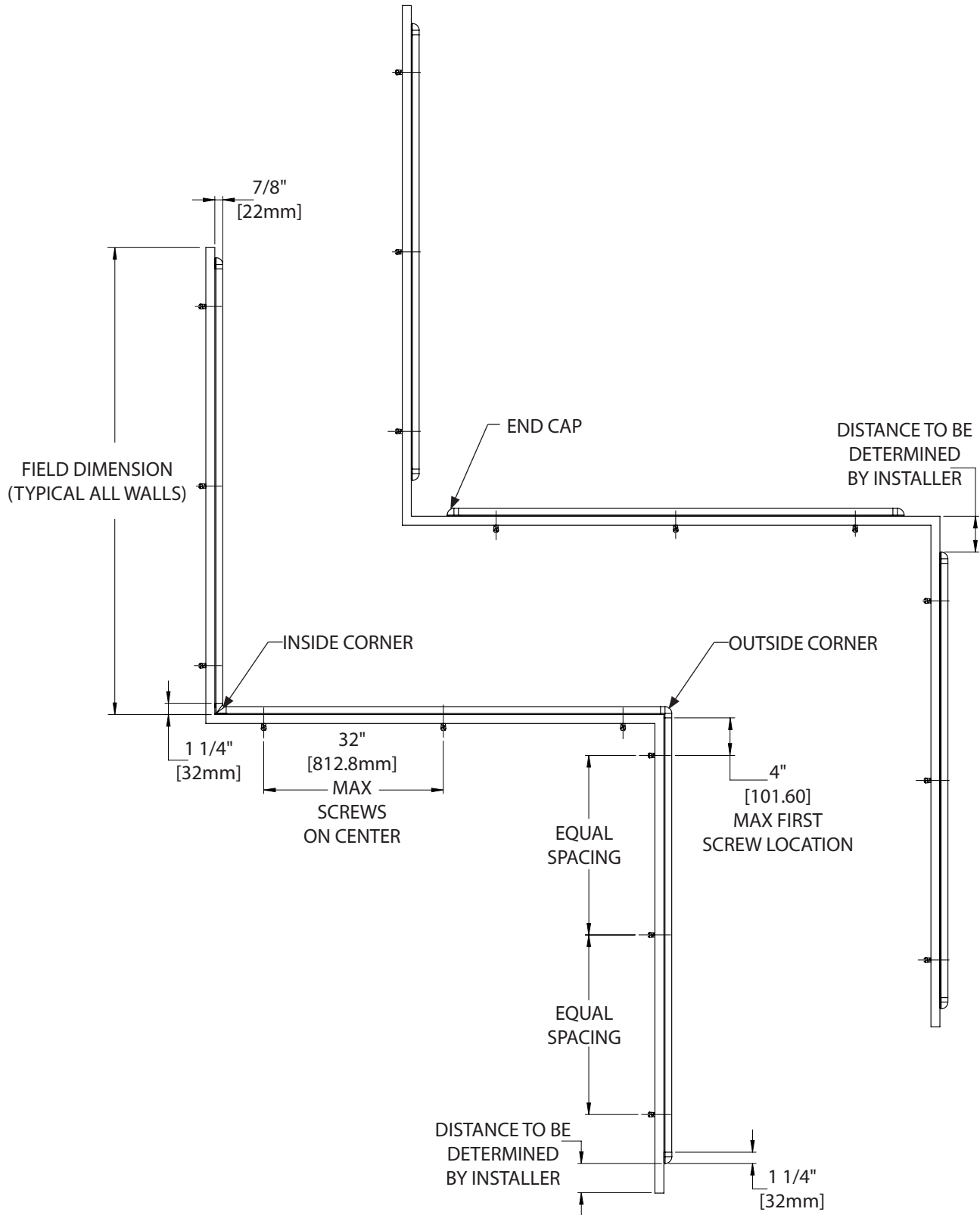
A DIVISION OF INPRO®

Installation Instructions

1400/1400W/1455/G2-1400 Wall Guard

Please read all instructions before installing Wall Guard.

Layout View



Installation Hotline . 866.EZINPRO

Inprocorp.com . 800.222.5556 . 262.679.9010

World Headquarters S80 W18766 Apollo Drive, Muskego, WI 53150 USA

IPC®

DOOR + WALL PROTECTION SYSTEMS

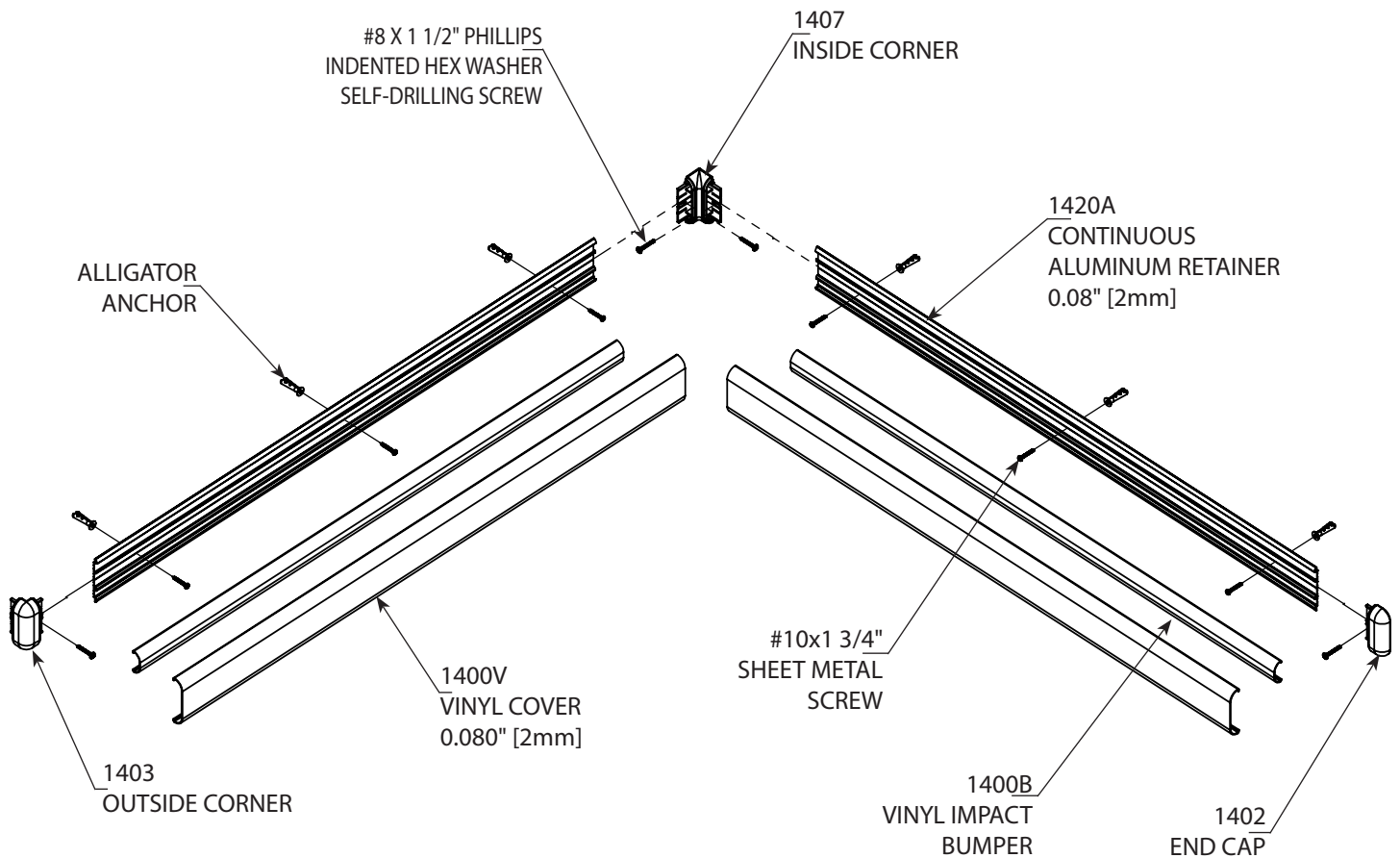
A DIVISION OF INPRO®

Installation Instructions

1400/1400W/1455/G2-1400 Wall Guard

Exploded Assembly View

Please read all instructions before installing
Wall Guard.



Installation Hotline . 866.EZINPRO

Inprocorp.com . 800.222.5556 . 262.679.9010

World Headquarters S80 W18766 Apollo Drive, Muskego, WI 53150 USA

IPC® •

DOOR + WALL PROTECTION SYSTEMS

A DIVISION OF INPRO®

Installation Instructions

1400/1400W/1455/G2-1400 Wall Guard

Please read all instructions before installing Wall Guard.

FIG. 1

1. Cut aluminum retainer to desired length, leaving allowance for end caps, inside corner and outside corners. See Figure 1.

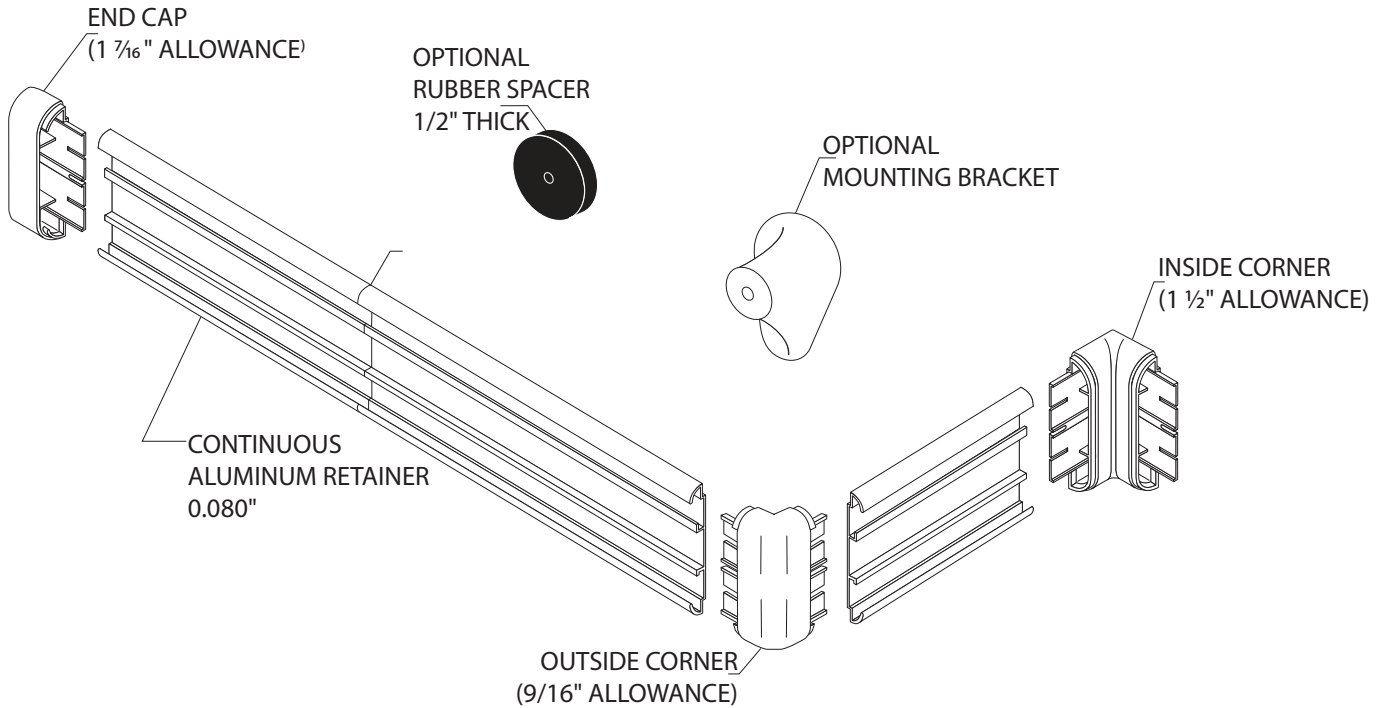
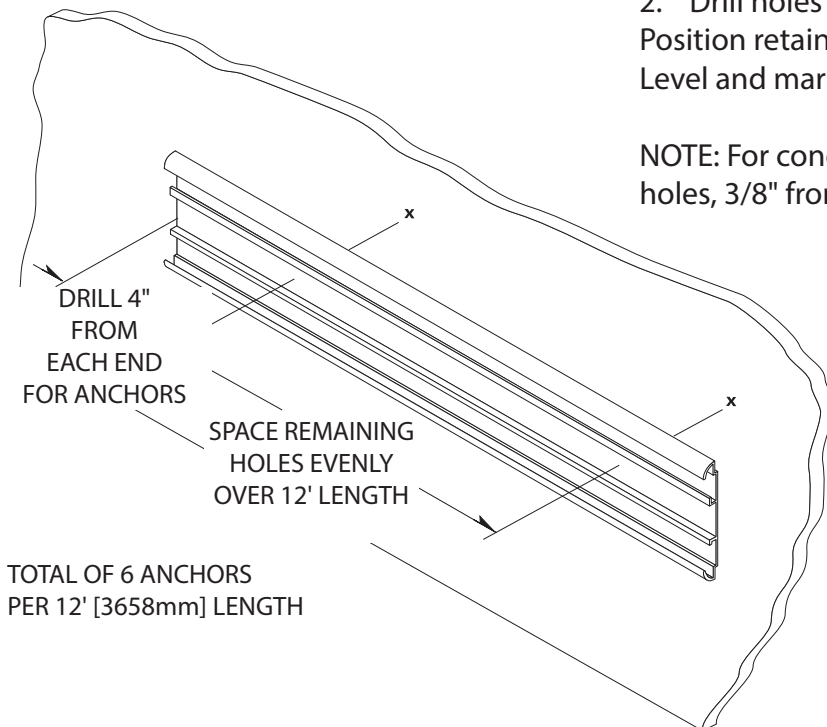


FIG. 2

2. Drill holes in centerline of retainer using 1/4" drill bit. Position retainer on wall allowing for end caps/corners. Level and mark holes. See Figure 2.

NOTE: For concrete or brick wall installation, drill 1/4" holes, 3/8" from each end of retainer for end caps/corners.



Installation Hotline . 866.EZINPRO

Inprocorp.com . 800.222.5556 . 262.679.9010

World Headquarters S80 W18766 Apollo Drive, Muskego, WI 53150 USA

IPC®

DOOR + WALL PROTECTION SYSTEMS

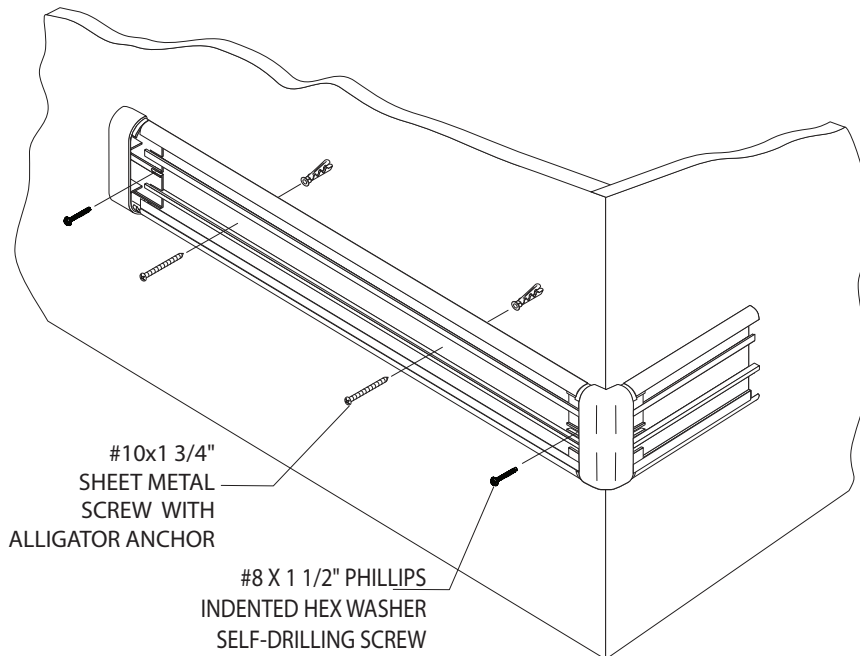
A DIVISION OF INPRO®

Installation Instructions

1400/1400W/1455/G2-1400 Wall Guard

Please read all instructions before installing Wall Guard.

FIG. 3



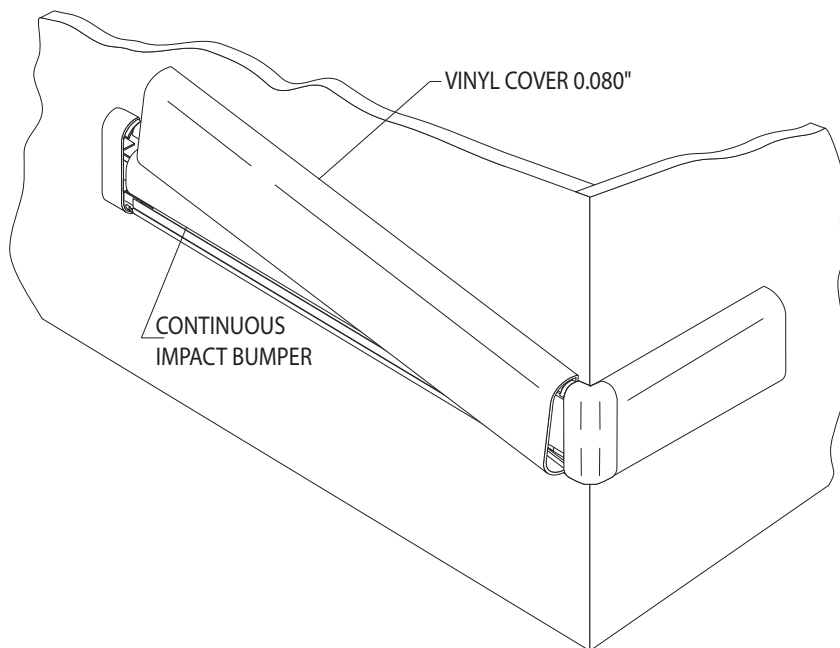
3. Drill marked holes on wall using a 1/4" drill bit and position Alligator anchors into holes. Mount retainer on wall and tighten screws to secure. Slide end caps and corners onto the retainer and secure, leaving a 1/16" gap between returns/corners and retainer to allow for adjustment. See Figure 3.

NOTE: For concrete or brick wall installation, use #10 x 1 3/4" Phillips pan head screws to secure end caps and corners.

NOTE: If rubber spacers are used, attach them behind the retainer at all mounting hole locations, including those for end caps and corners.

NOTE: If brackets are used, use a 3/4" drill bit for toggle wings or a 1/2" drill bit for lead anchors to drill the marked holes on the wall. Attach end caps and corners with 5/8" hex bolt assembly inserted from the back.

FIG. 4



4. Cut the impact bumper to the length between the inside edge of the end caps/corners. Position and snap bumper in place. Cut the cover to length between end caps and/or corners. (Note: Trim factory edges square before installation). Position cover on retainer and adjust returns and/or corners for a tight fit. Push cover over the retainer until it snaps into place. See Figure 4.

NOTE: For 1455 Only - When continuous runs are over 12', covers should be installed in consecutive order using the numbers found on the back of the covers. This ensures proper alignment of the accent strip.

Installation Hotline . 866.EZINPRO

Inprocorp.com . 800.222.5556 . 262.679.9010

World Headquarters S80 W18766 Apollo Drive, Muskego, WI 53150 USA

IPC® •

DOOR + WALL PROTECTION SYSTEMS
A DIVISION OF INPRO®