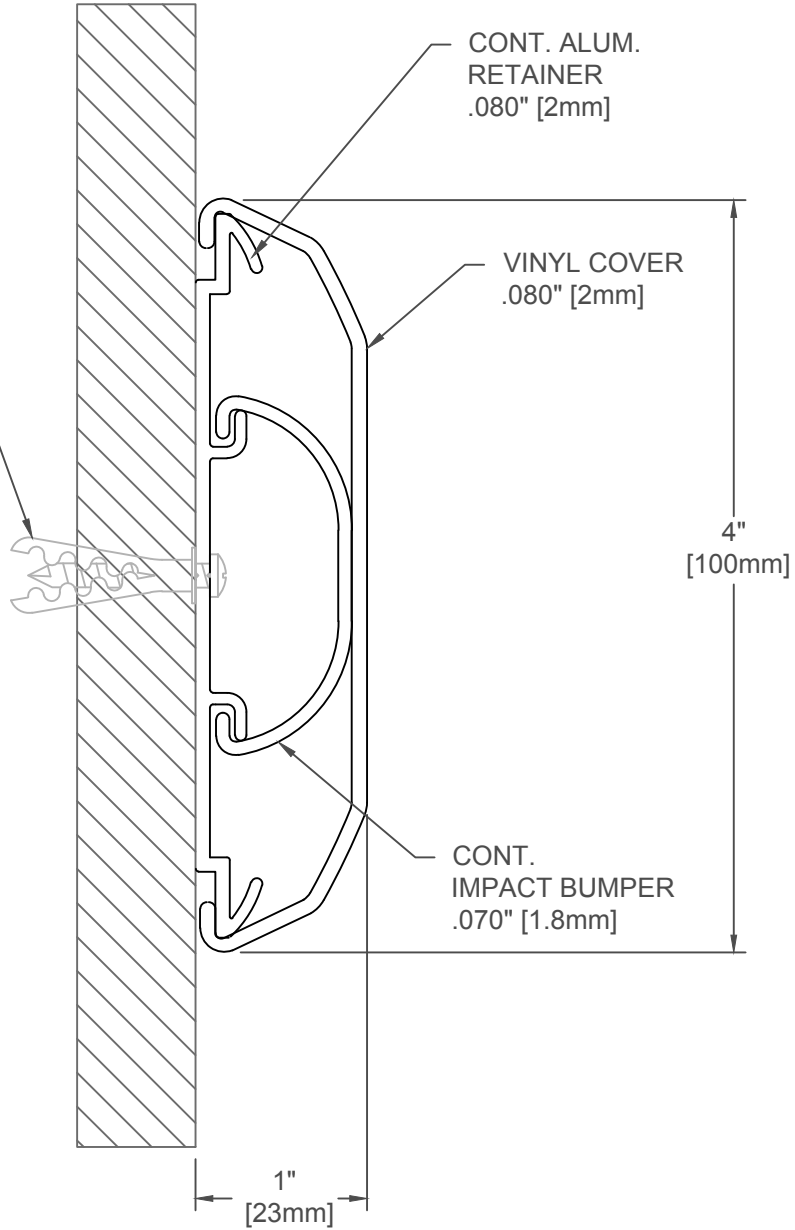


#10 x 1³/₄" [M5x44]
SHEET METAL SCREW
W/ ALLIGATOR ANCHOR
(HW53/HW38)



FINISH:

• IPC
DOOR + WALL
PROTECTION SYSTEMS

DATE: 2/6/03
SCALE: 1:1
DOC #:
CADIPC.078/rev1

5000 WALL GUARD

PROJECT:

CUSTOMER:

LOCATION:

inpro.

For more information visit:
www.Inprocorp.com