

# Installation Instructions

## 700/700W/G2-700 WALL GUARD

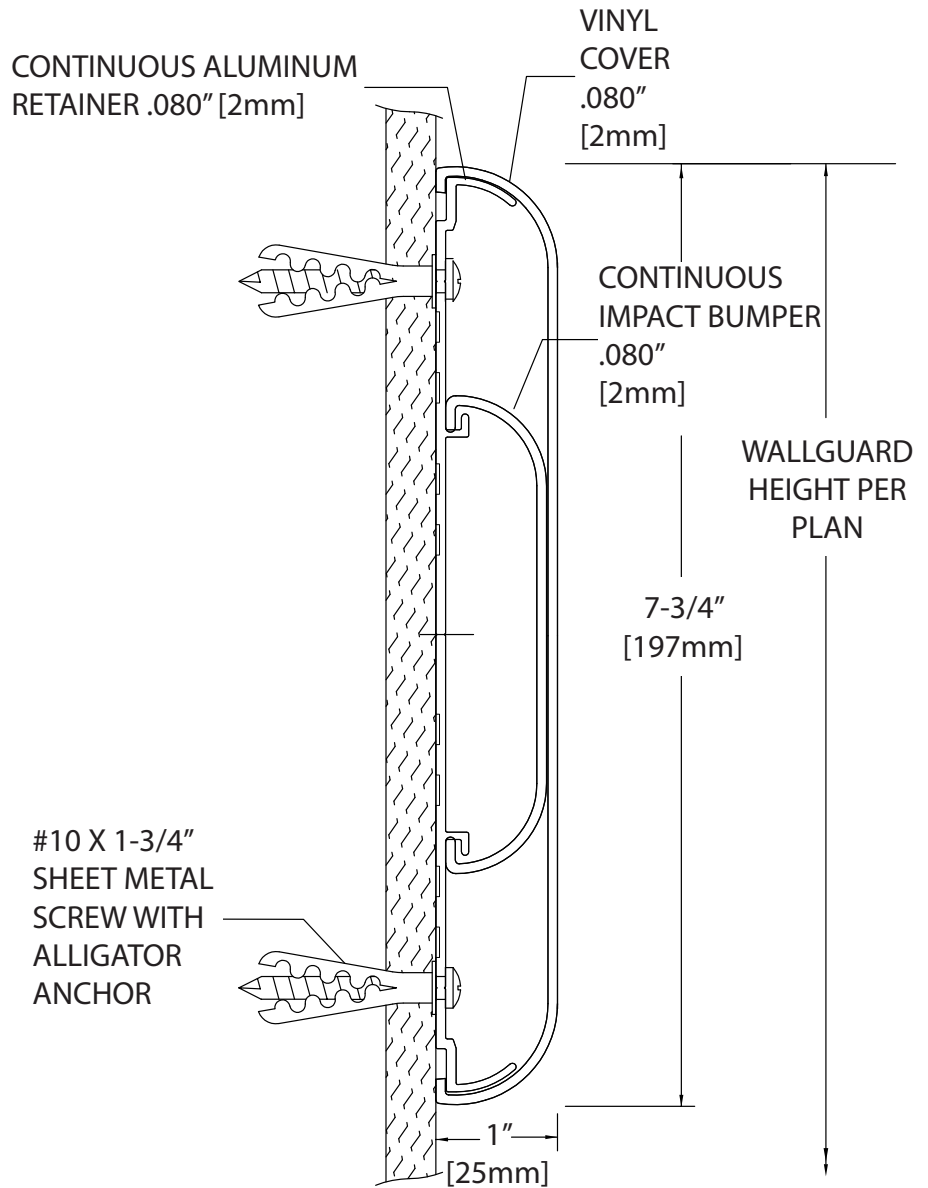
Please read all instructions before installing wallguard.

### Important

1. Acclimate materials 24 hrs before installation. Maintain temperature controlled environment after installation
2. Install in accordance with manufacturer's installation instructions. Failure to do so will void the warranty.

### Installation tips

1. Cut covers up to 1/16" (1.6mm) longer to ensure a tight fit.
2. Lubricate blades when cutting aluminum to reduce burrs.



### SECTION VIEW

#### Recommended tools

Safety Glasses, Tape Measure, Phillips bit for self drilling and sheet metal screws, Level, Power Drill, Drill Bits - 1/4" masonry (concrete/concrete block) bit, Power Miter Saw, 10" Blade with 60-80 Cabide Tipped Teeth

IPC.357\_REV 10

IPC® Door + Wall Protection

inpro.com • 800.222.5556 • 262.679.9010

World Headquarters S80 W18766 Apollo Drive, Muskego, WI 53150 USA

Installation Hotline: 866.394.6776

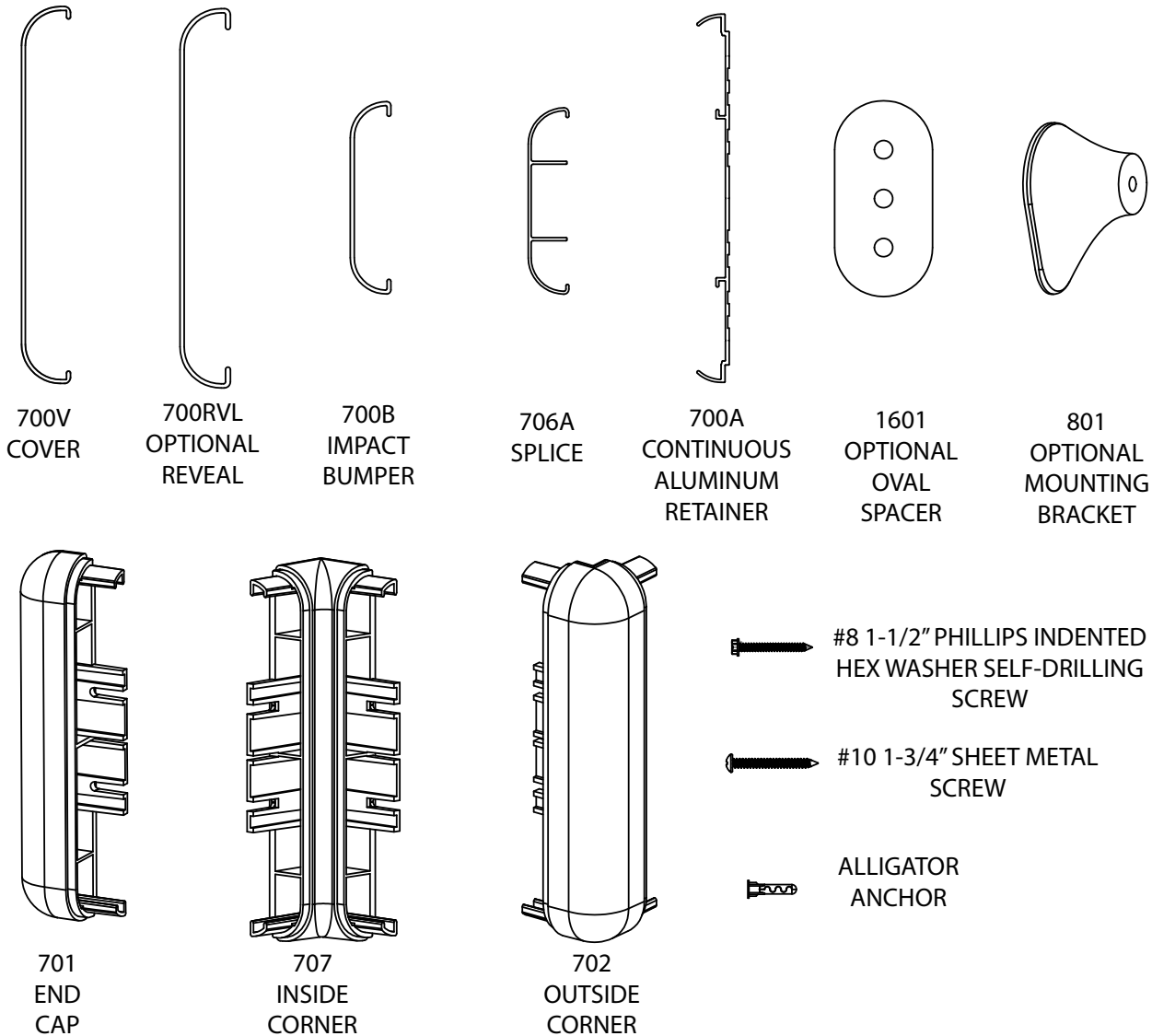
**inpro**®

# Installation Instructions

## 700/700W/G2-700 WALL GUARD

Please read all instructions before installing wallguard.

### Components and fasteners



Conditions	Specified Fasteners	Inpro Part#
Wallguard Profile Hardware	#10 x 1-3/4" Phillips Pan Head sheet metal screw, 1/4" Plastic Alligator anchor	HWK-WG
Concrete Hardware for End Caps	#10 x 1-3/4" Phillips Pan Head sheet metal screw, 1/4" Plastic Alligator anchor	HWK-701C
Drywall Hardware for End Caps	#8 1-1/2" Phillips Indented Hex Washer Self-Drilling Screws #2PT ZP	HWK-701D
Concrete Hardware for Corners	#10 x 1-3/4" Phillips Pan Head sheet metal screw, 1/4" Plastic Alligator anchor	HWK-702/707C
Drywall Hardware for Corners	#8 1-1/2" Phillips Indented Hex Washer Self-Drilling Screws #2PT ZP	HWK-702/707DW

IPC® Door + Wall Protection

inpro.com • 800.222.5556 • 262.679.9010

World Headquarters S80 W18766 Apollo Drive, Muskego, WI 53150 USA

Installation Hotline: 866.394.6776

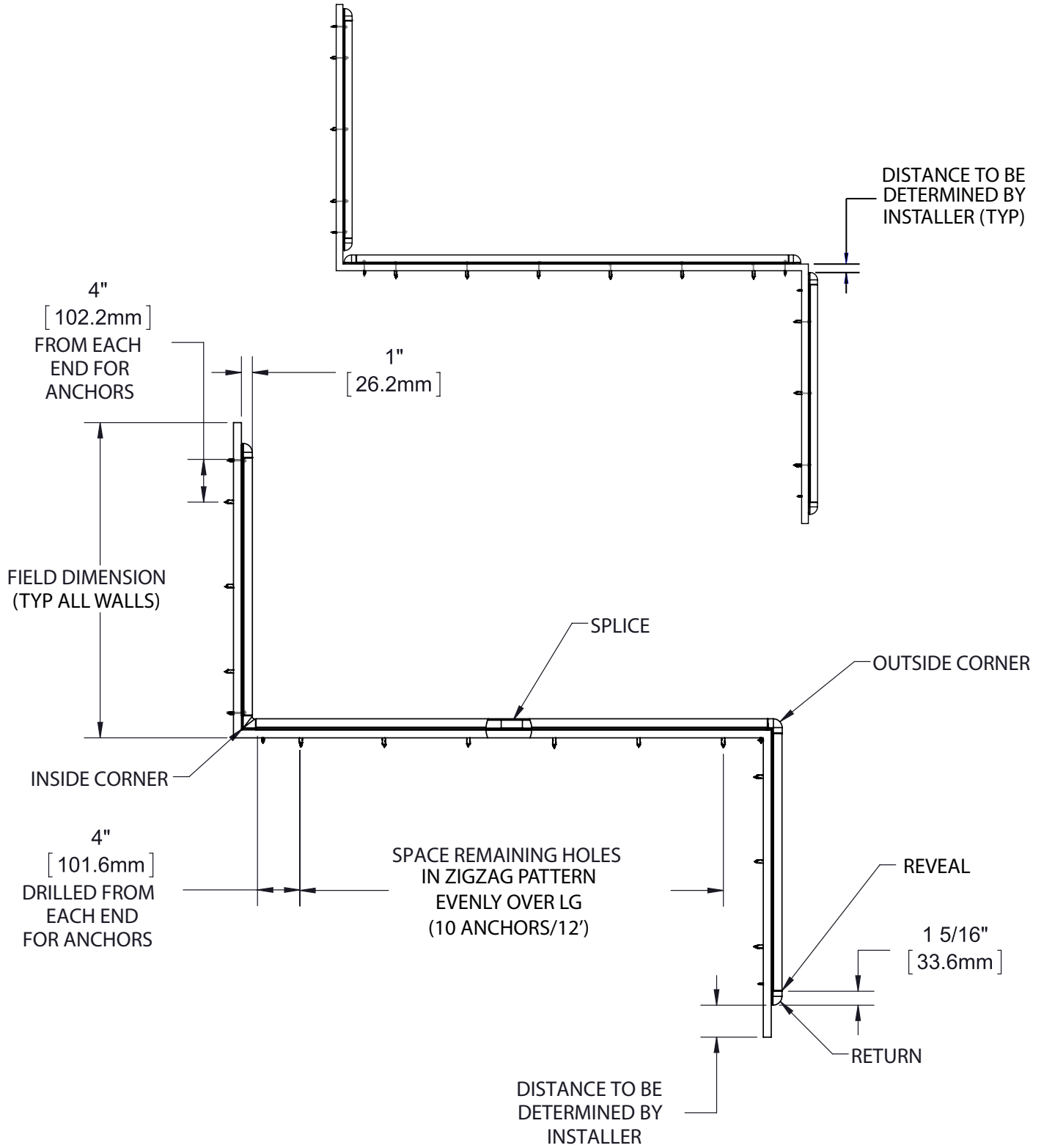
**inpro**®

# Installation Instructions

## 700/700W/G2-700 WALL GUARD

Please read all instructions before installing wallguard.

### Layout view



IPC® Door + Wall Protection

inpro.com • 800.222.5556 • 262.679.9010

World Headquarters S80 W18766 Apollo Drive, Muskego, WI 53150 USA

Installation Hotline: 866.394.6776

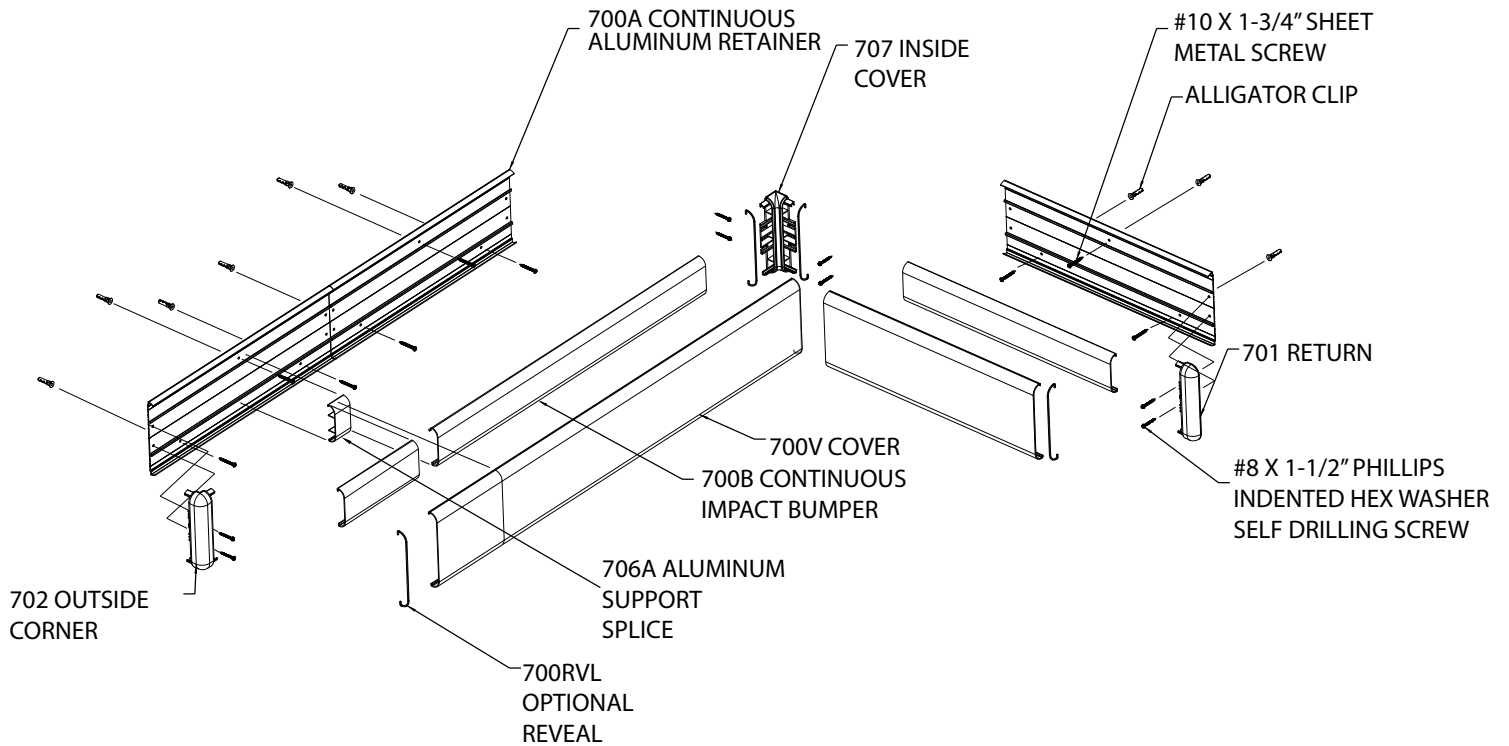
**inpro**®

# Installation Instructions

## 700/700W/G2-700 WALL GUARD

Please read all instructions before installing wallguard.

### Exploded view assembly



IPC® Door + Wall Protection

inpro.com • 800.222.5556 • 262.679.9010

World Headquarters S80 W18766 Apollo Drive, Muskego, WI 53150 USA

Installation Hotline: 866.394.6776

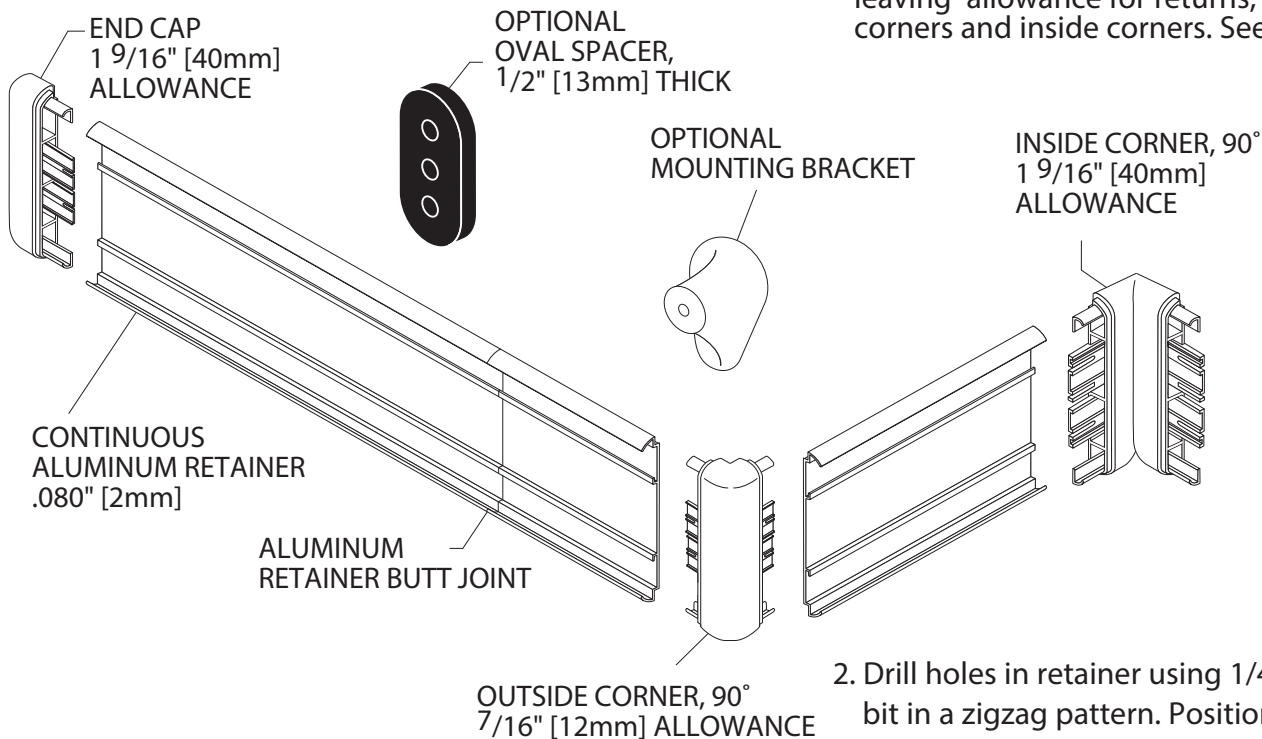
**inpro**®

# Installation Instructions

## 700/700W/G2-700 WALL GUARD

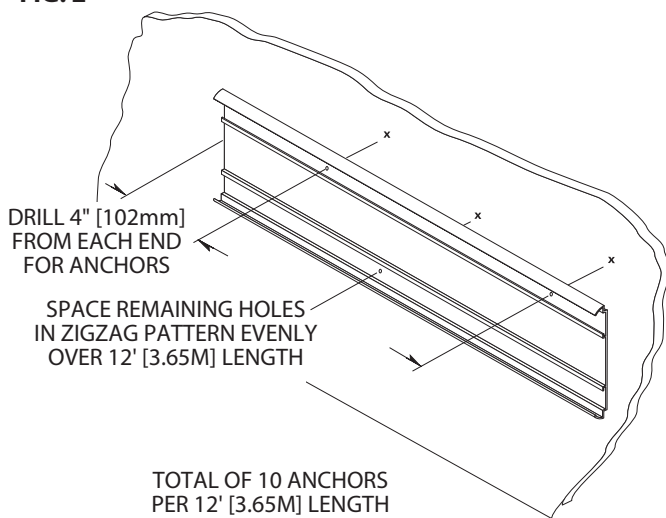
Please read all instructions before installing wallguard.

FIG. 1



1. Cut aluminum retainer to desired length, leaving allowance for returns, outside corners and inside corners. See Figure 1.

FIG. 2



2. Drill holes in retainer using 1/4" [6mm] drill bit in a zigzag pattern. Position retainer on wall allowing for end caps/corners. Level and mark holes. See Fig. 2.

NOTE: For concrete or brick wall installation, drill 1/4" [6mm] holes, 3/8" [10mm] from each end of retainer for end caps/corners.

NOTE: If using brackets or rubber spaces, use bracket or spacer as a template to mark holes when drilling retainer. See Figures 2a & 2b.

FIG. 2a

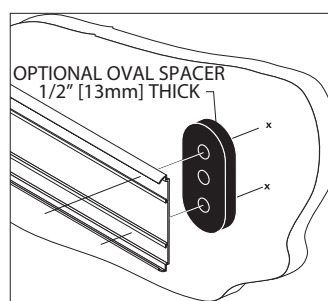
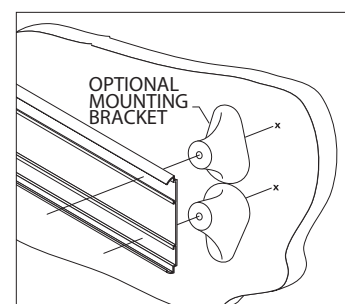


FIG. 2b



IPC® Door + Wall Protection

inpro.com • 800.222.5556 • 262.679.9010

World Headquarters S80 W18766 Apollo Drive, Muskego, WI 53150 USA

Installation Hotline: 866.394.6776

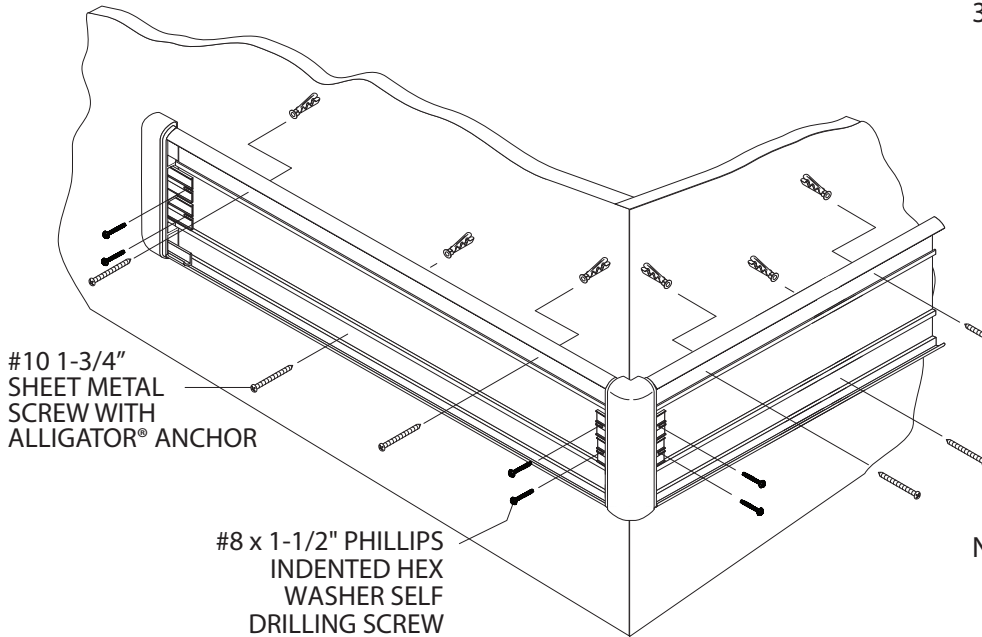
**inpro**®

# Installation Instructions

## 700/700W/G2-700 WALL GUARD

Please read all instructions before installing wallguard.

FIG. 3

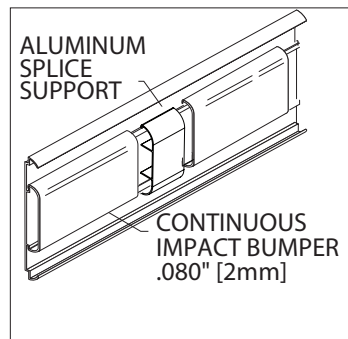


3. Drill marked holes on wall using a 1/4" [6mm] drill bit and position Alligator anchors into holes. Mount retainer on wall and tighten screws to secure. Slide end caps and corners onto the retainer and secure, leaving a 1/16" [1.5mm] gap between returns/corners and retainer to allow for adjustment. See Figure 3.

With lengths over 12' [3.65M], a splice support is recommended between butt joints for added support. See Figure 3a.

NOTE: For concrete or brick wall installation, use #10 x 1 3/4" Phillips pan head screws to secure end caps and corners.

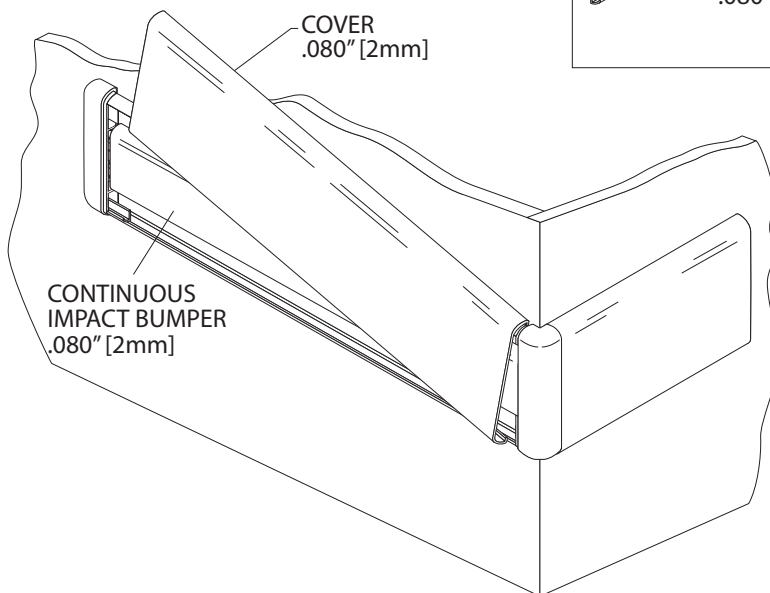
FIG. 3a



NOTE: If rubber spacers are used, attach them behind the retainer at all mounting hole locations, including those for end caps and corners.

NOTE: If brackets are used, use a 3/4" drill bit for toggle wings or a 1/2" drill bit for lead anchors to drill the marked holes on the wall. Attach end caps and corners with 5/8" hex bolt assembly inserted from the back.

FIG. 4



4. Cut the impact bumper to the length between the inside edge of the end caps/corners/splices. Position and snap bumper in place. Cut the cover to length between end caps and/or corners. (Note: trim factory edges square before installation). Position cover on retainer and adjust returns and/or corners for a tight fit. Push cover over the retainer until it snaps into place. See Figure 4.

IPC® Door + Wall Protection

inpro.com • 800.222.5556 • 262.679.9010

World Headquarters S80 W18766 Apollo Drive, Muskego, WI 53150 USA

Installation Hotline: 866.394.6776

inpro®