

Clear

Wall Guard

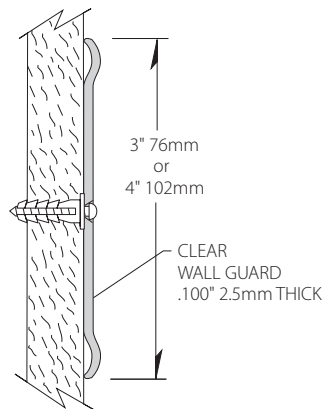


3" height



4" height

- 3" (76mm) or 4" (102mm) heights available
- .100" (2.5mm) thick
- Easy installation, clean-up and maintenance
- Manufactured in 8' (2.44m) standard lengths



IPC.374/REV.4

Clear Wall Guard

Suggested Specifications

PART 1 - GENERAL

1.01 SUMMARY

A. Wall guard system for wall protection

1.02 SECTION INCLUDES

A. Clear Wall Guard Systems

1.03 REFERENCES

A. American Society for Testing and Materials (ASTM)

B. Underwriters Laboratory (UL)

1.04 SYSTEM DESCRIPTION

A. Performance Requirements: Provide wall guard systems that

conform to the following requirements of regulatory agencies and the quality control of IPC Door and Wall Protection Systems, InPro Corporation.

1. Fire Performance Characteristics: Provide materials with V2 rating as tested in accordance with UL94.

1.05 SUBMITTALS

A. Product Data: Manufacturer's printed product data for each type of wall guard specified.

B. Detail Drawings: Mounting details with the appropriate fasteners for specific project substrates.

C. Samples: Verification samples of wall guard, 8" (203mm) long, in full size profiles of each type and color indicated.

D. Manufacturer's Installation Instruction: Printed installation instructions for each wall guard.

1.06 DELIVERY, STORAGE AND HANDLING

A. Deliver materials in unopened factory packaging to the jobsite

B. Inspect materials at delivery to assure that specified products have been received.

C. Store in original packaging in a climate controlled location away from direct sunlight.

1.07 PROJECT CONDITIONS

A. Environmental Requirements: Products must be installed in an interior climate controlled environment.

1.08 WARRANTY

A. Standard IPC Limited Lifetime Warranty against material and manufacturing defects.

PART 2 - PRODUCTS

2.01 MANUFACTURER

A. Acceptable Manufacturer/Distributor:
IPC Door and Wall Protection Systems, InPro Corporation, PO Box 406 Muskego, WI 53150 USA;
Telephone: 800.222.5556, Fax: 888.715.8407, www.inprocorp.com

B. Substitutions: Not permitted

C. Provide all wall guards and wall protection from a single source.

2.02 MANUFACTURED UNITS

A. Wall Guard Profile

1. Clear Wall Guard Options
Item # Size Thickness Length
83 - 3" (76mm) .100" (2.5mm) 8' (2.44m)
84 - 4" (102mm) .100" (2.5mm) 8' (2.44m)

2.03 MATERIALS

A. PC/PETG: Clear wall guards of .100" (2.5mm) thickness shall be extruded from clear thermo plastic material.

2.04 COMPONENTS

A. Fasteners: All mounting system accessories appropriate for substrates indicated on the drawing shall be provided.

2.05 FINISHES

A. Clear wall guards shall have a smooth finish.

PART 3 - EXECUTION

3.01 EXAMINATION

A. Examine areas and conditions in which the wall guard systems will be installed.

1. Complete all finishing operations, including painting, before beginning installation of wall guard system materials.

B. Wall surface shall be dry and free from dirt, grease and loose paint.

3.02 PREPARATION

A. General: Prior to installation, clean substrate to remove dust, debris and loose particles.

3.03 INSTALLATION

A. General: Locate the wall guard as indicated on the approved detail drawing for the appropriate substrate and in compliance with the IPC installation instructions. Install wall guard level and plumb at the height indicated on the drawings.

B. Installation of Clear Wall Guard

1. Apply to wall with plastic anchors and chrome plated screws. Clear wall guards have pre-drilled mounting holes.

3.04 CLEANING

A. At completion of the installation, clean surfaces in accordance with the IPC clean-up and maintenance instructions.

Inprocorp.com • 800.222.5556 • 262.679.9010

World Headquarters S80 W18766 Apollo Drive, Muskego, WI 53150 USA

IPC™

DOOR + WALL PROTECTION SYSTEMS