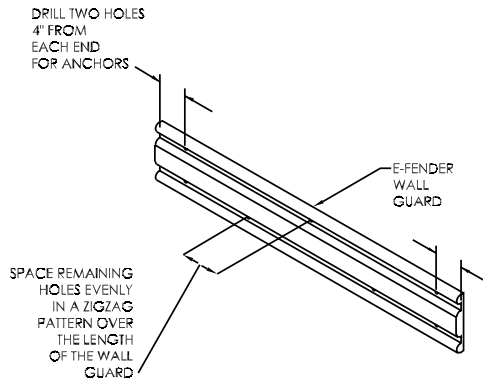


# Installation Instructions

## Heavy Duty Rubber E-Fender Wall Guard

Please read all instructions before installing wallguard.

FIG. 1

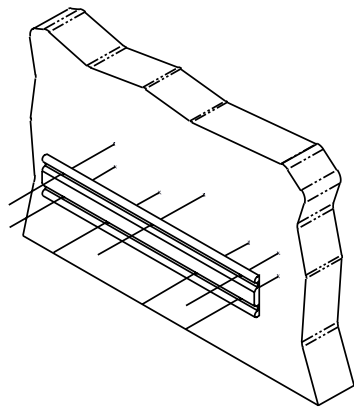


**Note: Wall guards are rough-cut; cut square if needed. Height of the Wall Guard may vary over the length of the product. Match ends with similar height for best fit. To clean rubber products use water or, "Back to Black" tire cleaner for stubborn marks.**

**Please read all instructions before installing the wall guard.**

1. Cut the wall guard to desired length. Select a  $\frac{3}{8}$ " [10mm] stainless steel fastener that is appropriate for the substrate. Drill  $\frac{7}{16}$ " mounting holes in the wall guard. (fig 1)

FIG. 2



2. Use the wall guard as a template and mark the location of the mounting holes to the wall. Drill holes in the wall using the drill size recommended by the fastener manufacturer. (fig 2)

FIG. 3

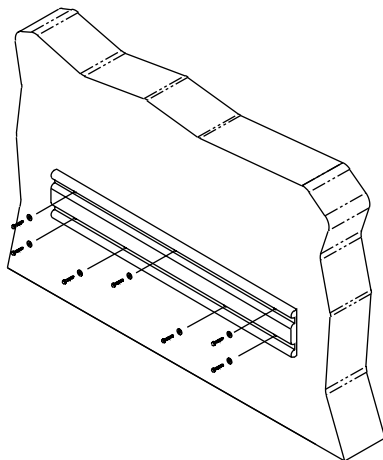
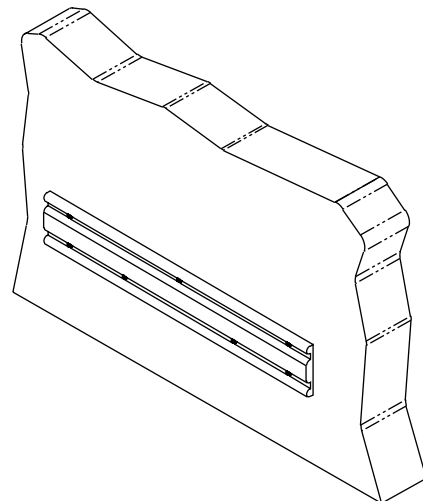


FIG. 4



IPC.409/REV.2

IPC® Door + Wall Protection

inpro.com • 800.222.5556 • 262.679.9010

World Headquarters S80 W18766 Apollo Drive, Muskego, WI 53150 USA

Installation Hotline: 866.394.6776

**inpro**®