

Installation Instructions

30SS and 31SS Stainless Steel Wall Guard

Please read all instructions before installing wallguard.

Please read all instructions before installing wall guard.

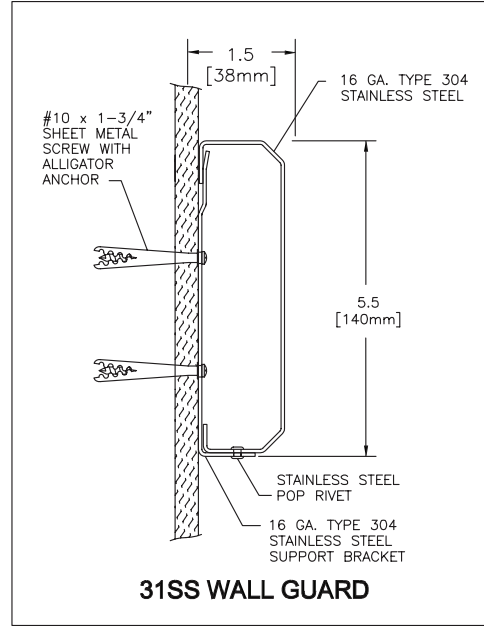
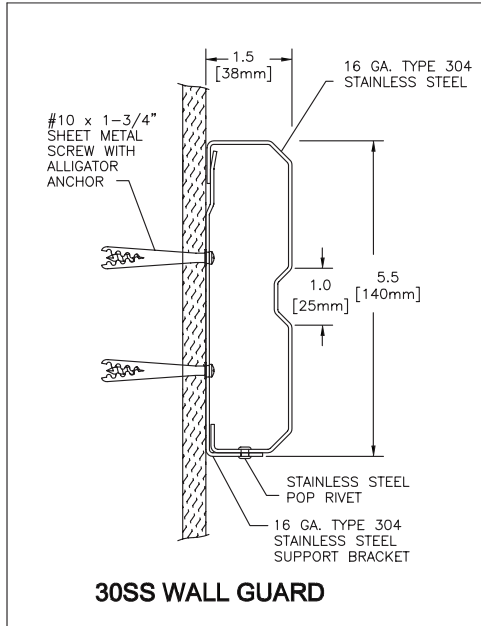
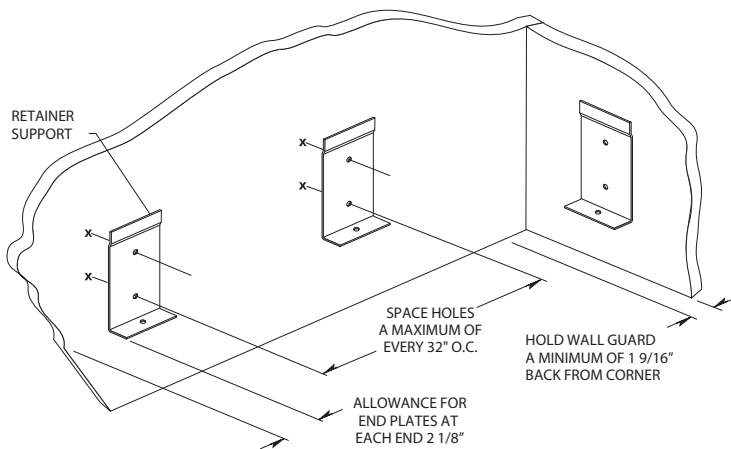


FIG. 1



1. Determine height of wall guard. Deduct 3/16" and snap chalk line. Position top edge of retainer support against chalk line. Transfer mounting holes to wall. See Figure 1.

IPC.610/REV.3

IPC® Door + Wall Protection

inpro.com • 800.222.5556 • 262.679.9010

World Headquarters S80 W18766 Apollo Drive, Muskego, WI 53150 USA

Installation Hotline: 866.394.6776

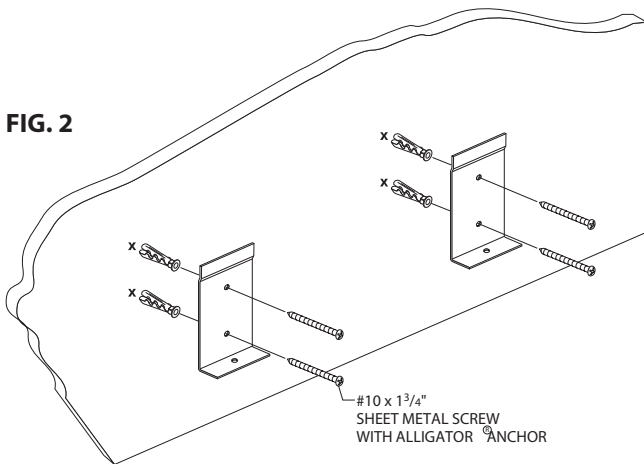
inpro®

Installation Instructions

30SS and 31SS Stainless Steel Wall Guard

Please read all instructions before installing wallguard.

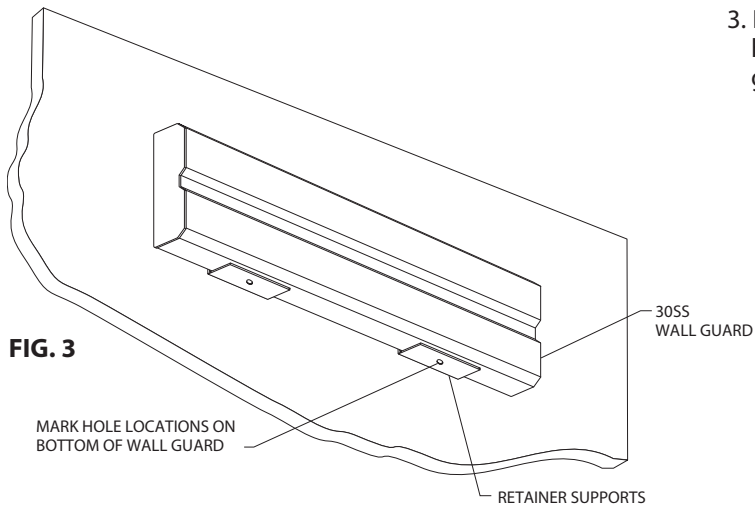
FIG. 2



2. Drill each marked hole with a 1/4" [6mm] drill bit and position alligator anchors into holes. Mount retainer supports on wall and tighten screws to secure.

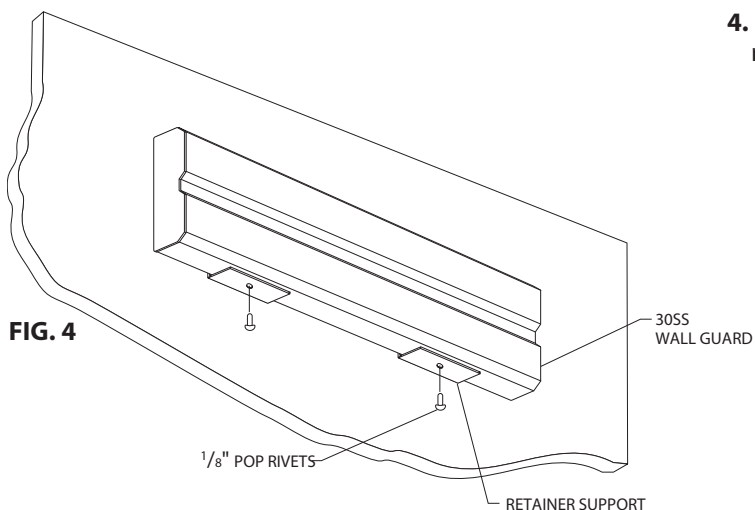
See Figure 2.

FIG. 3



3. Position wall guard on the retainer supports. Transfer hole locations on the bottom of the support to the wall guard. Drill 9/64" holes at each mark. See Figure 3.

FIG. 4



4. Position wall guard on support and secure with 1/8" pop rivets. See Figure 4.

IPC® Door + Wall Protection

inpro.com • 800.222.5556 • 262.679.9010

World Headquarters S80 W18766 Apollo Drive, Muskego, WI 53150 USA

Installation Hotline: 866.394.6776

inpro®