

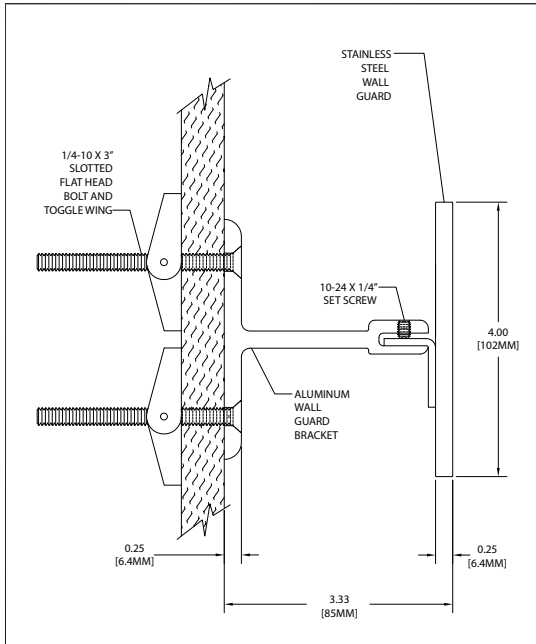
# Installation Instructions

## 50SS Stainless Steel Wall Guard

## 56SS Stainless Steel Wall Guard

Please read all instructions before installing wallguard.

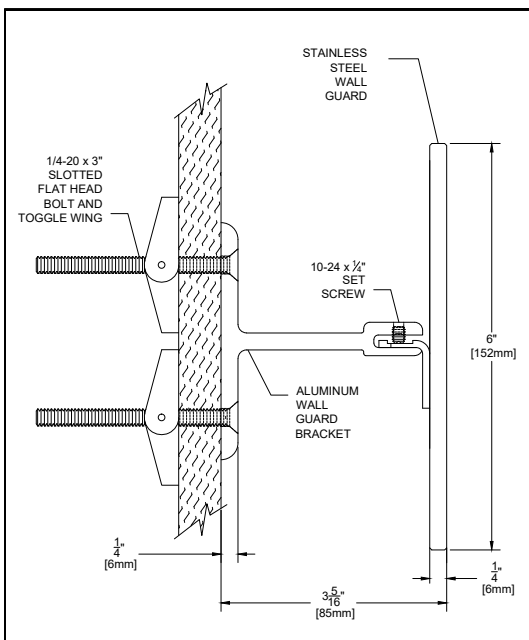
NOTE: The 50/56SS Stainless Steel Wall Guard is manufactured to lengths specified by the customer.



50SS Wall Guard

### 50SS Wall Guard Components

- 50SSBAR- Wall Guard
- 50SSLR - Left Return
- 50SSRR - Right Return
- 50SSOC - Outside Corner
- 50SSIC - Inside Corner
- 50AABK - Aluminium Bracket



50SS Wall Guard

### 56SSB Wall Guard Components

- 56SSBAR- Wall Guard
- 56SSBLR - Left Return
- 56SSBRR - Right Return
- 56SSBOC - Outside Corner
- 56SSBIC - Inside Corner
- 50AABK - Aluminium Bracket

IPC.564/REV.4

IPC® Door + Wall Protection

inpro.com • 800.222.5556 • 262.679.9010

World Headquarters S80 W18766 Apollo Drive, Muskego, WI 53150 USA

Installation Hotline: 866.394.6776

**inpro**®

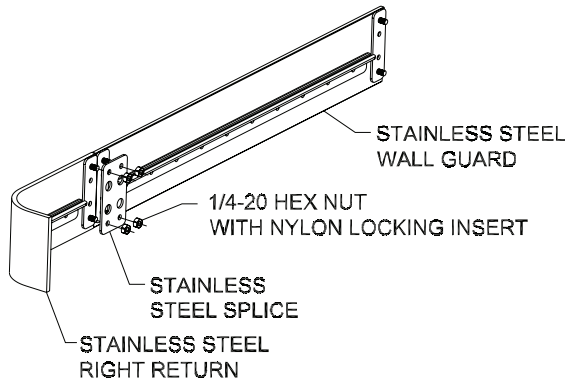
# Installation Instructions

## 50SS Stainless Steel Wall Guard

## 56SS Stainless Steel Wall Guard

Please read all instructions before installing wallguard.

FIG. 1

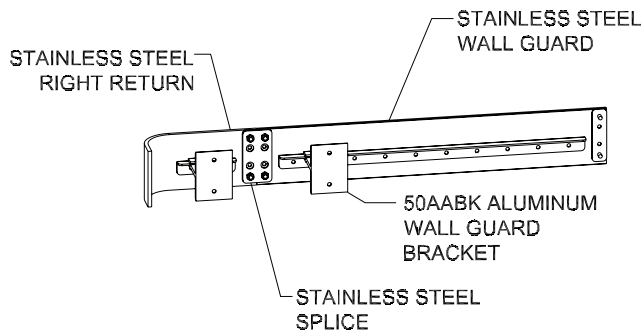


Please read all instructions before installing wall guard.

Returns and corners must be joined to the straight lengths with splices. See Fig. 1.

When determining bracket locations, brackets cannot be installed in the spot where a splice occurs. Brackets are required on each return and spaced a maximum of thirty-two inches. See Fig. 2.

FIG. 2



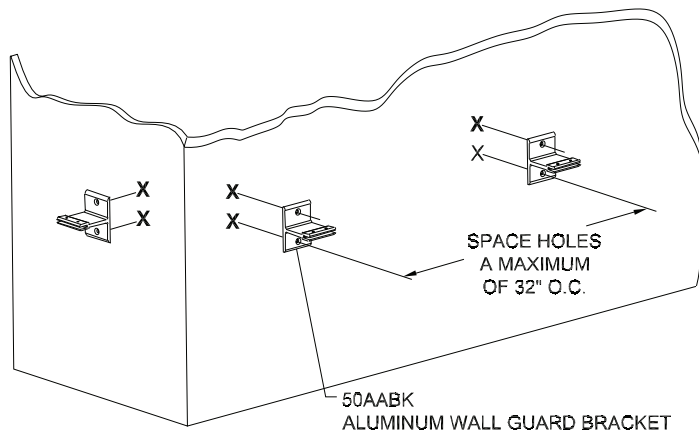
1. Determine height of wall guard.

50SS Deduct 1/4" [6mm]

56SS Deduct 1 1/4" [32mm]

and snap chalk line. Position the top edge of bracket against chalk line. Transfer mounting holes to wall. See Figure 3.

FIG. 3



IPC® Door + Wall Protection

inpro.com • 800.222.5556 • 262.679.9010

World Headquarters S80 W18766 Apollo Drive, Muskego, WI 53150 USA

Installation Hotline: 866.394.6776

**inpro**®

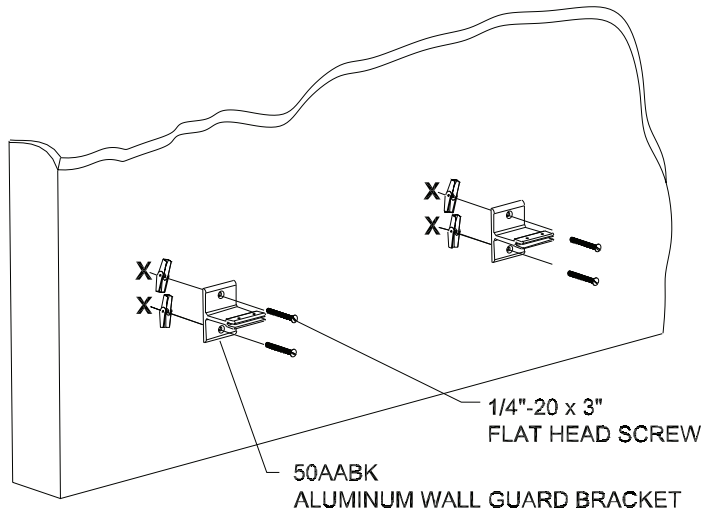
# Installation Instructions

## 50SS Stainless Steel Wall Guard

## 56SS Stainless Steel Wall Guard

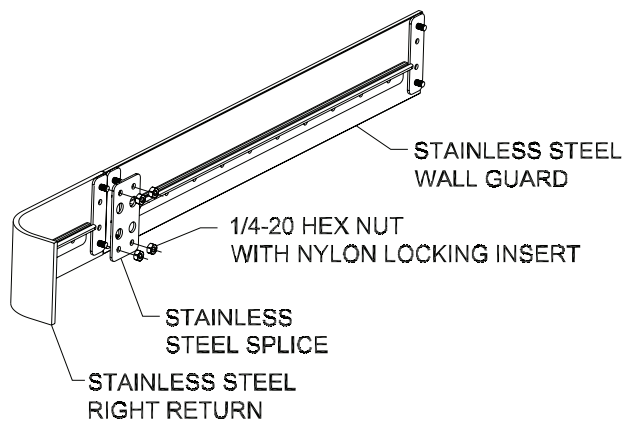
Please read all instructions before installing wallguard.

FIG. 4



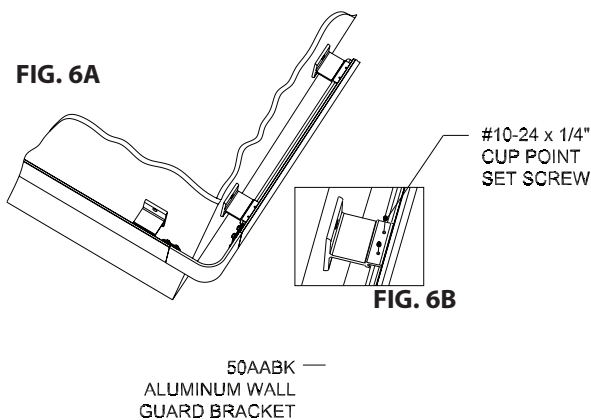
2. Drill marked holes with  $\frac{3}{4}$ " drill bit for toggle bolts (drywall installation) or  $\frac{1}{2}$ " drill bit for lead anchor (concrete wall installation). Mount brackets to wall, tighten screws to secure. See Figure 4.

FIG. 5



3. Attach the returns and corners to the straight lengths using splices. Align mating pieces and fit splice plate over 4 studs. Fasten  $\frac{1}{4}$  hex nut with nylon locking insert, using a  $\frac{7}{16}$  wrench or socket set. See Figure 5.

FIG. 6A



4. Position wall guard into mounting brackets. Tighten the wall guard into the brackets with set screws. See Figure 6A and 6B.