

# Installation Instructions

## 50SSH/56SSH Stainless Steel Wall Guard

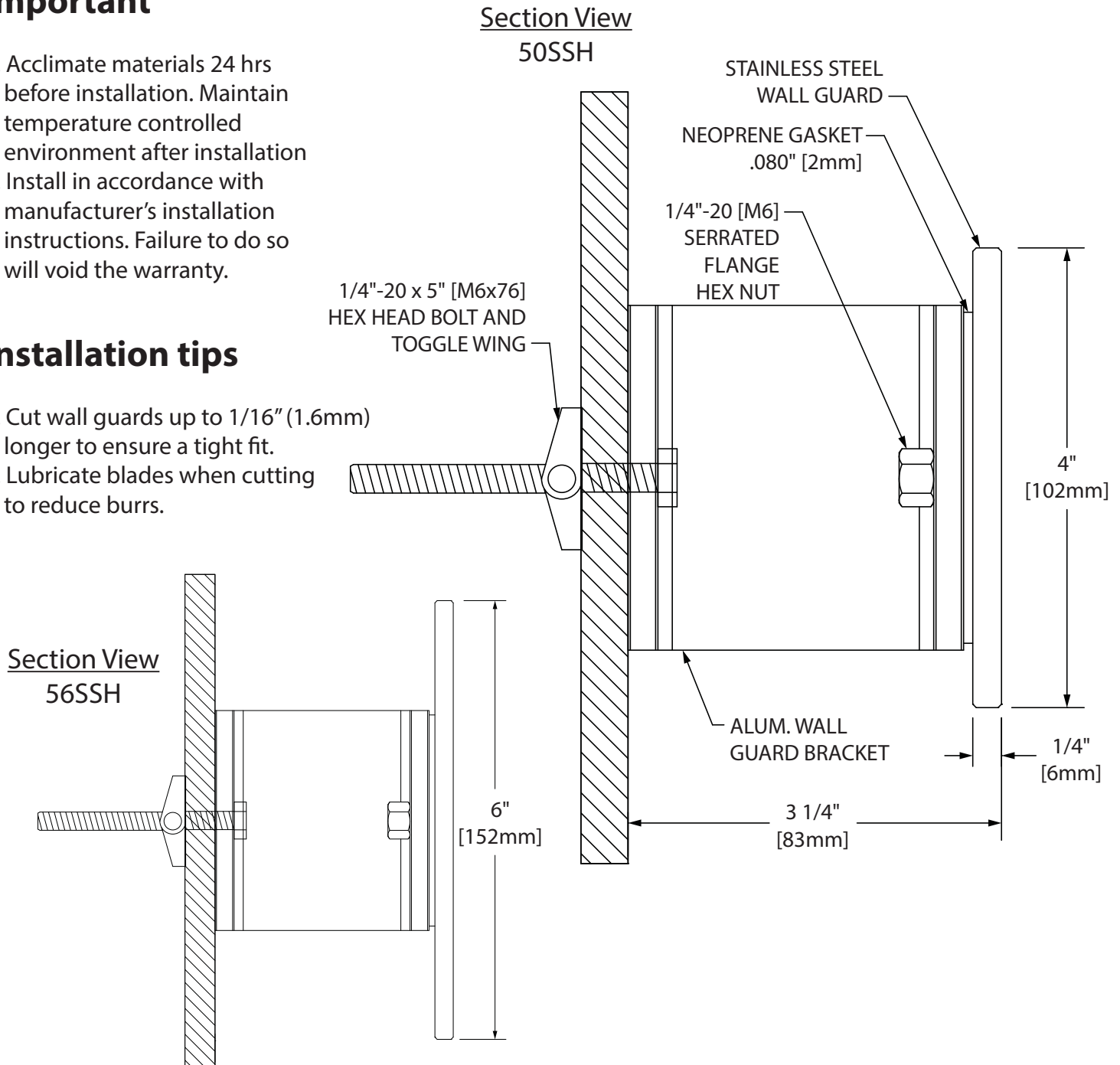
Please read all instructions before installing wallguard.

### Important

1. Acclimate materials 24 hrs before installation. Maintain temperature controlled environment after installation
2. Install in accordance with manufacturer's installation instructions. Failure to do so will void the warranty.

### Installation tips

1. Cut wall guards up to 1/16" (1.6mm) longer to ensure a tight fit.
2. Lubricate blades when cutting to reduce burrs.



### Recommended tools

Safety Glasses, Tape Measure, Level, Power Drill, Drill Bits - 1/4" masonry (concrete/concrete block), Power Miter Saw, 10" Blade with 60-80 Carbide Tipped Teeth

IPC.3038/REV.1

Installation Hotline • 866.EZINPRO  
Inprocorp.com • 800.222.5556 • 262.679.9010  
World Headquarters S80 W18766 Apollo Drive, Muskego, WI 53150 USA

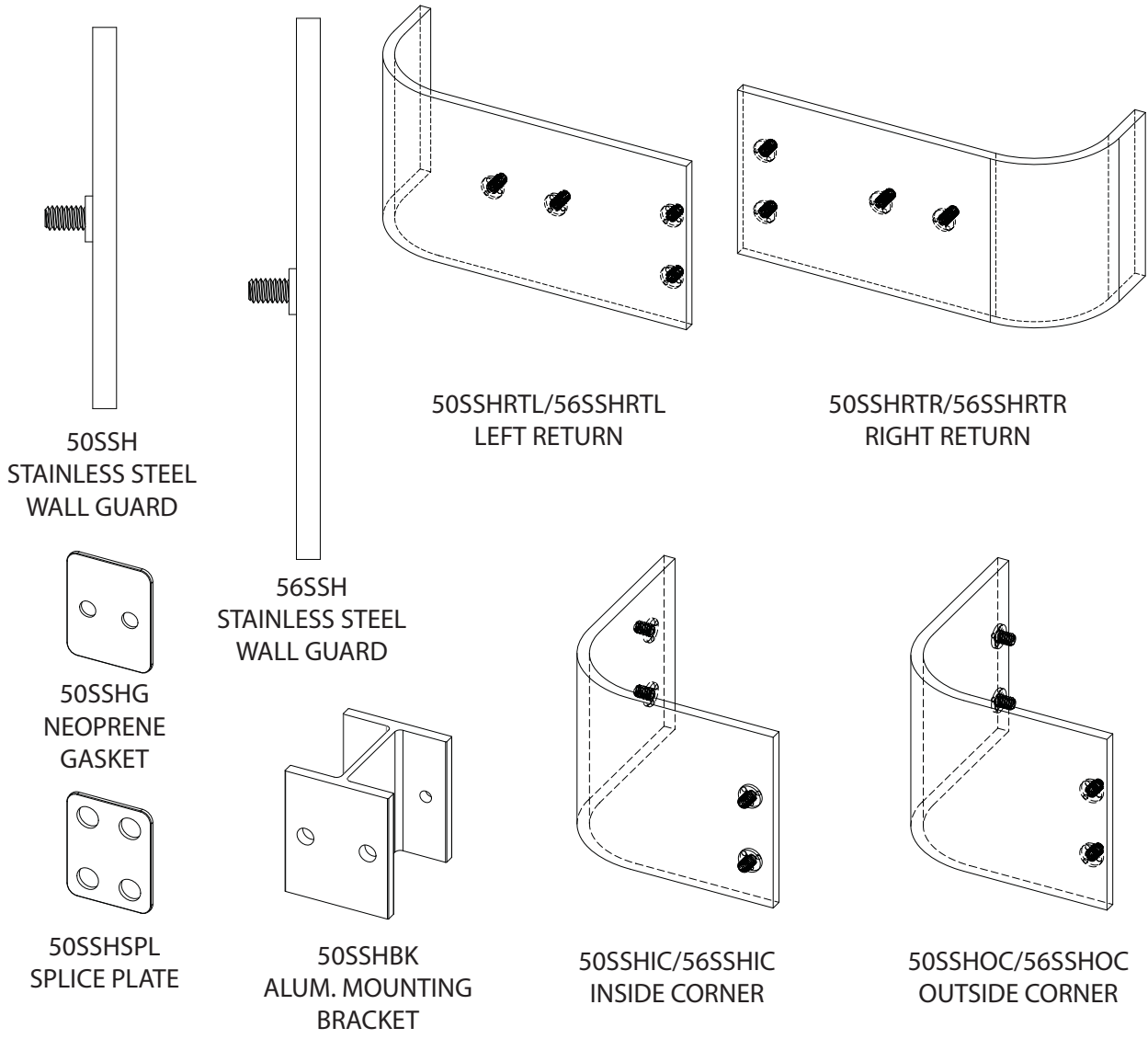
**IPC**®  
DOOR + WALL PROTECTION SYSTEMS  
A DIVISION OF INPRO®

# Installation Instructions

## 50SSH/56SSH Stainless Steel Wall Guard

Please read all instructions before installing wallguard.

### Components and fasteners



Wall Condition	Specified Fasteners	Inpro Part #
Concrete	1/4"-20 x 5" Hex Head Bolt, Alligator Anchor, 1/4"-20 Serrated Flange Nut	HWK-50SSHBK-C
Drywall	1/4"-20 x 5" Hex Head Bolt, Toggle Wing and 1/4"-20 Serrated Flange Nut	HWK-50SSHBK-D
Wood	1/4"-20 x 5" Hex Head Scre, Toggle Wing and 1/4"-20 Serrated Flange Nut	HWK-50SSHBK-W

Installation Hotline • 866.EZINPRO  
 Inprocorp.com • 800.222.5556 • 262.679.9010  
 World Headquarters S80 W18766 Apollo Drive, Muskego, WI 53150 USA

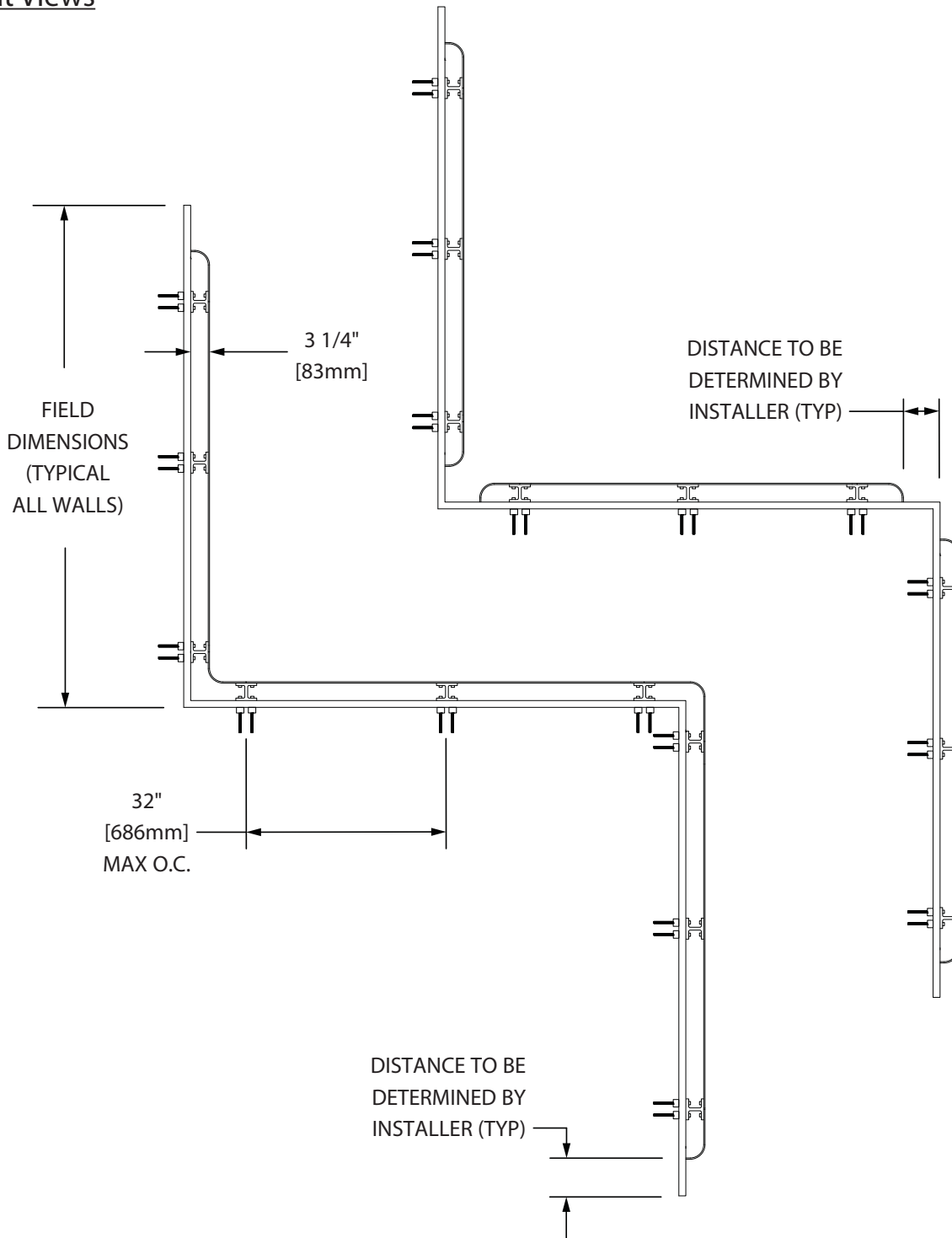
**IPC**®  
 DOOR + WALL PROTECTION SYSTEMS  
 A DIVISION OF INPRO®

# Installation Instructions

## 50SSH/56SSH Stainless Steel Wall Guard

Please read all instructions before installing wallguard.

### Layout Views



Installation Hotline • 866.EZINPRO

Inprocorp.com • 800.222.5556 • 262.679.9010

World Headquarters S80 W18766 Apollo Drive, Muskego, WI 53150 USA

IPC®

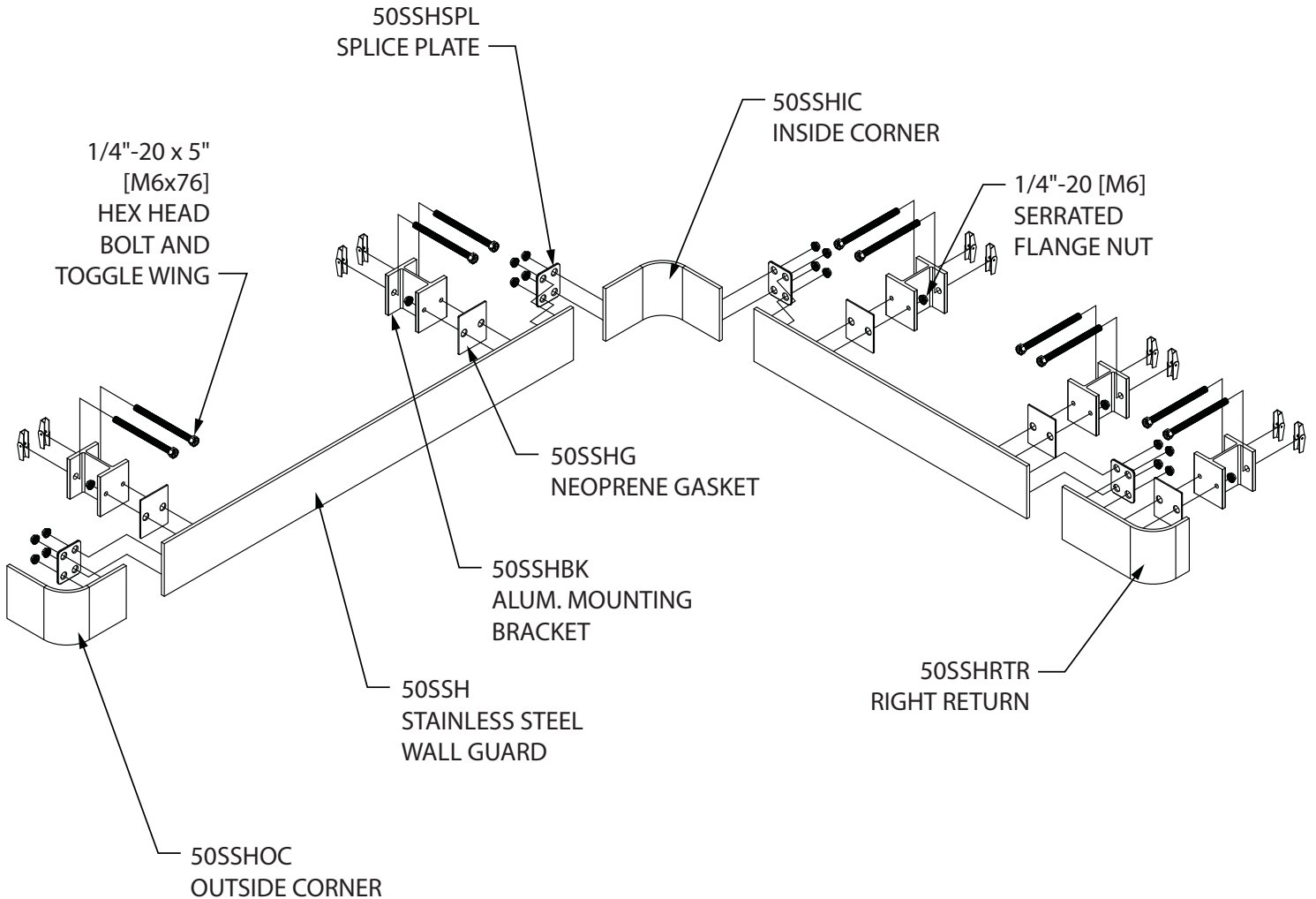
DOOR + WALL PROTECTION SYSTEMS  
A DIVISION OF INPRO®

# Installation Instructions

## 50SSH/56SSH Stainless Steel Wall Guard

Please read all instructions before installing wallguard.

### Exploded View



Installation Hotline • 866.EZINPRO

Inprocorp.com • 800.222.5556 • 262.679.9010

World Headquarters S80 W18766 Apollo Drive, Muskego, WI 53150 USA

IPC®

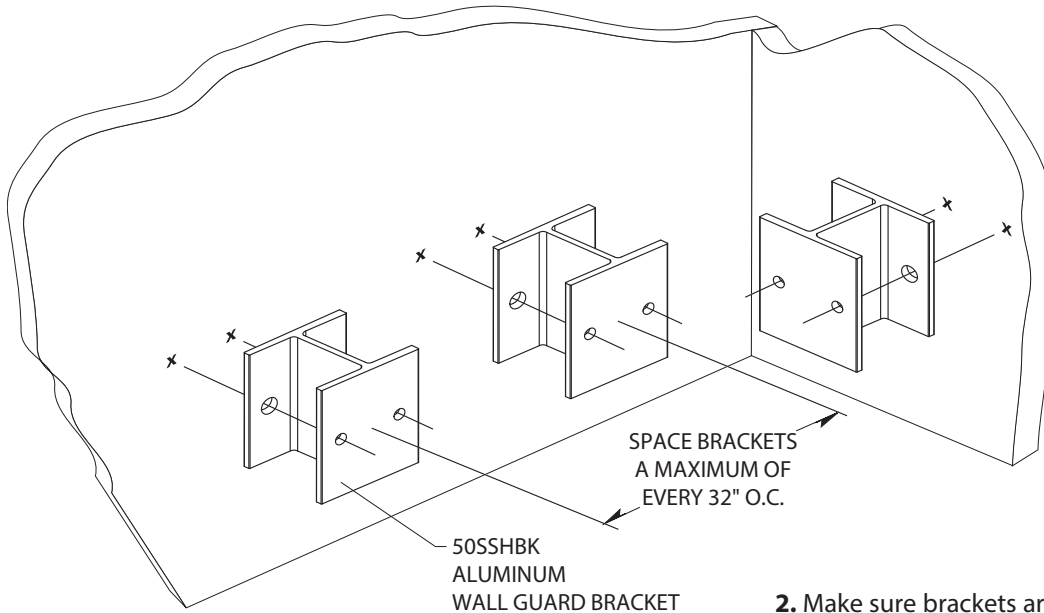
DOOR + WALL PROTECTION SYSTEMS  
A DIVISION OF INPRO®

# Installation Instructions

## 50SSH/56SSH Stainless Steel Wall Guard

Please read all instructions before installing wallguard.

FIG. 1

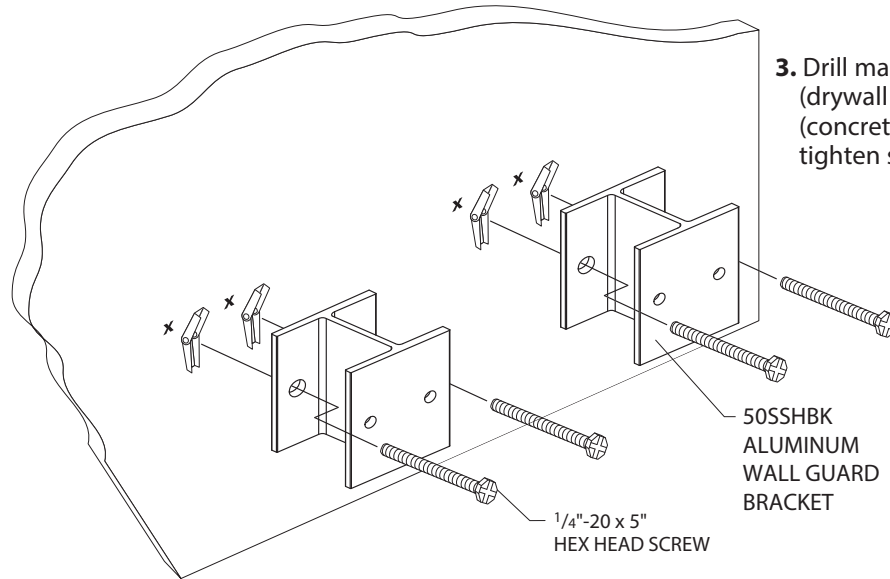


1. Determine height of wall guard. Deduct 2" for the 50SSH wall guard and 3" for the 56SSH wall guard, and snap a chalk line.

2. Make sure brackets are level. Position center of bracket on chalk line spaced at 32" max, **aligning with the mounting studs on the back of the 50SSH or 56SSH wall guards**. Transfer mounting holes to wall.

SEE FIG. 1

FIG. 2



3. Drill marked holes with 3/4" drill bit for toggle bolts (drywall installation) or 1/2" drill bit for lead anchor (concrete wall installation). Mount brackets to wall, tighten screws to secure. SEE FIG. 2

Installation Hotline • 866.EZINPRO

Inprocorp.com • 800.222.5556 • 262.679.9010

World Headquarters S80 W18766 Apollo Drive, Muskego, WI 53150 USA

IPC®

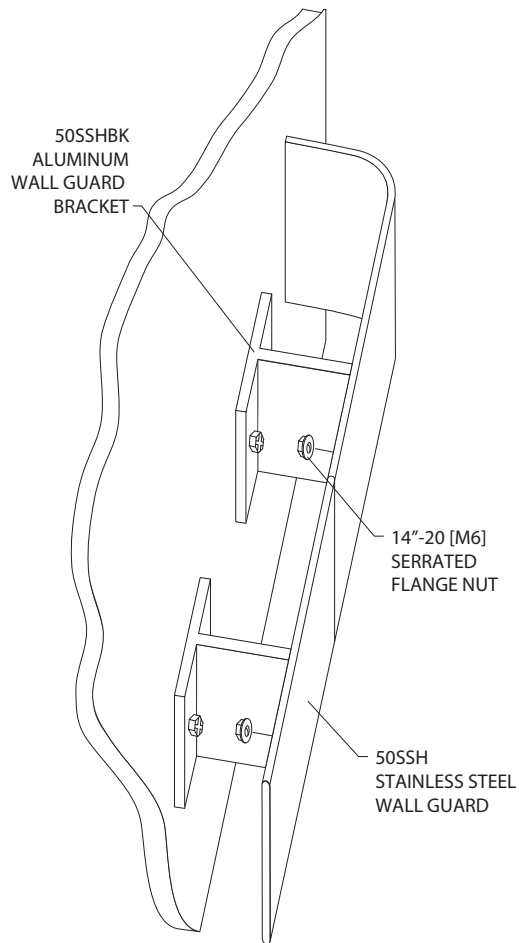
DOOR + WALL PROTECTION SYSTEMS  
A DIVISION OF INPRO®

# Installation Instructions

## 50SSH/56SSH Stainless Steel Wall Guard

Please read all instructions before installing wallguard.

FIG. 3



5. Position wall guard onto mounting brackets. Secure the wall guard onto the brackets from the back with 1/4"-20 serrated flange nuts on each welded stud.

SEE FIG. 3

6. At each splice between straight lengths, inside/outside corners and returns, secure the two ends with a splice plate and four 1/4"-20 serrated flange nuts.

SEE FIG. 4

FIG. 4

