

Installation Instructions

Palladium Wall Panels - Demountable

Factory Finished Edges and Field Cut Edges

Please read all instructions before installing Palladium Wall Panel System.

1. Before installation:

- Acclimate Palladium Panels, reveals, adhesives and wall substrates to room temperature 24 hours before installation. Ensure panels and reveals are on a level surface while acclimating.
- 24 hours before, during and 48 hours after installation, maintain a building temperature between 70-80 F and keep humidity below 80%.
- Substrate must be dry, well sealed and free of dirt, loose paint, wax and grease. Glossy surfaces may require sanding or priming to help promote adhesion.
- Remove any coatings designed to improve clean- up as these coatings may affect adhesion.

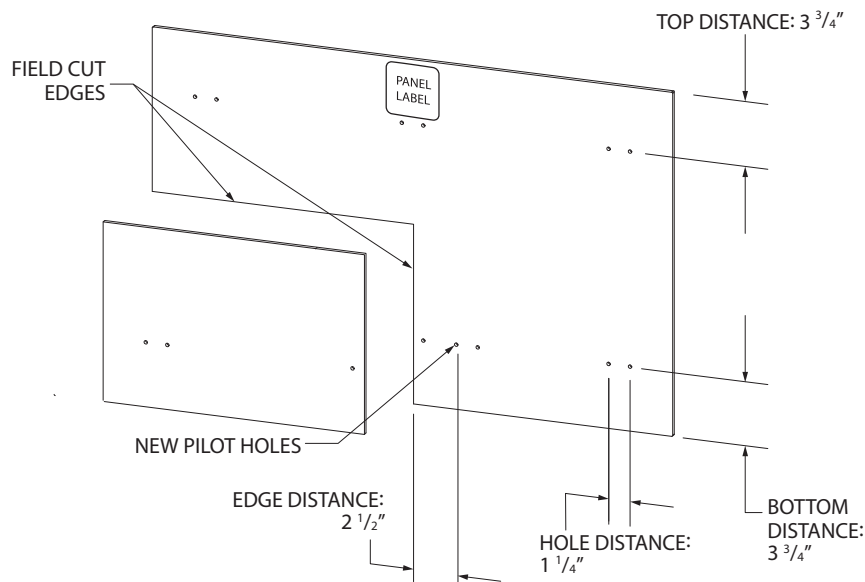
Tools:

Chalk Line or Laser Level, Level, Straight Edge, Tape Measure, Drop Cloth, Painter Tape, Utility knife, Power Miter Box, Table saw, Carbide tipped saw blade with 60-80 teeth, Pneumatic Nailer, 1-1/2" Brad Nails, PL Premium Adhesive, Color Matched Fill Stick, 1/8" Drill Bit, Power Drill.

Field Cutting Tips:

- All panels shipped are a standard size which has been determined for the layout, if custom sizes are required, it is the responsibility of the architect or contractor to create accurate field dimensions and layouts for panel production. When cutting in field, use a table saw or circular saw equipped with a carbide tooled blade. ALWAYS use a straight edge when cutting an edge. ALWAYS use the cut edge at the beginning or end of a run.
- When using trim pieces, it is best to take measurements of wall before installation, to attribute for deductions allowances for corner and door frame trim.
- When re-drilling z-clip pilot holes, use 1/8" drill bit see Fig. 1 for proper hole spacing.

FIG. 1



IPC.593/Rev.3

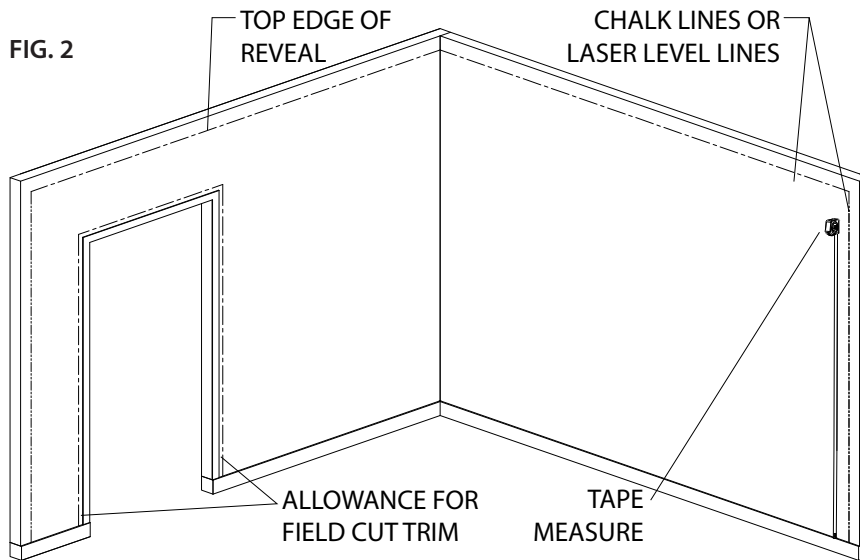
Installation Instructions

Palladium Wall Panels - Demountable

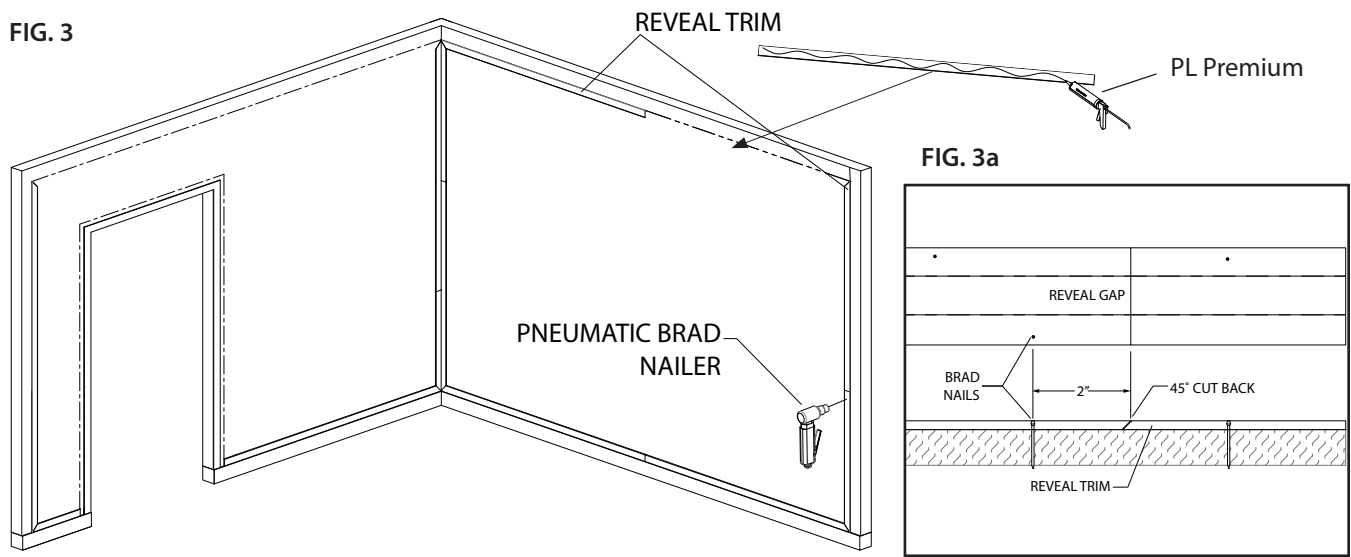
Factory Finished Edges and Field Cut Edges

Install Instructions:

1. Before reveal installation, refer to back of installation instructions for corner and door trim conditions. Determine the location of the reveal trim perimeter and panels as per layout. (Fig.2) Prior to installation review project drawings, if available.



2. Install perimeter trim 1st in continuous lengths.
 - a. Cut perimeter reveal trim as required.
 - b. Apply a small bead PL Premium adhesive in a "zig-zag" pattern on the back of the reveal trim. Position the reveal trim on the wall and tack in place with 18 gauge brad nails. Place nails 2" from each end and spaced roughly 24" on center staggered. (Fig.3) If installing trim on block wall use hot melt glue in place of brad nails.
 - c. When splicing two lengths together create a 45 degree back cut and butt pieces together (See Fig.3a)



Installation Instructions

Palladium Wall Panels - Demountable

Factory Finished Edges and Field Cut Edges

3. Install vertical running trim 2nd in continuous lengths.
 - a. Cut vertical reveal trim as required, and install in same manner as perimeter trim (Fig. 4)
 - b. Where vertical trim pieces meet horizontal trim pieces, create a 45 degree back cut (See Fig.4a).

TIP: Before applying vertical reveals it is best to know the general location for horizontal trim pieces to avoid pin nailing in reveal gap.

FIG. 4

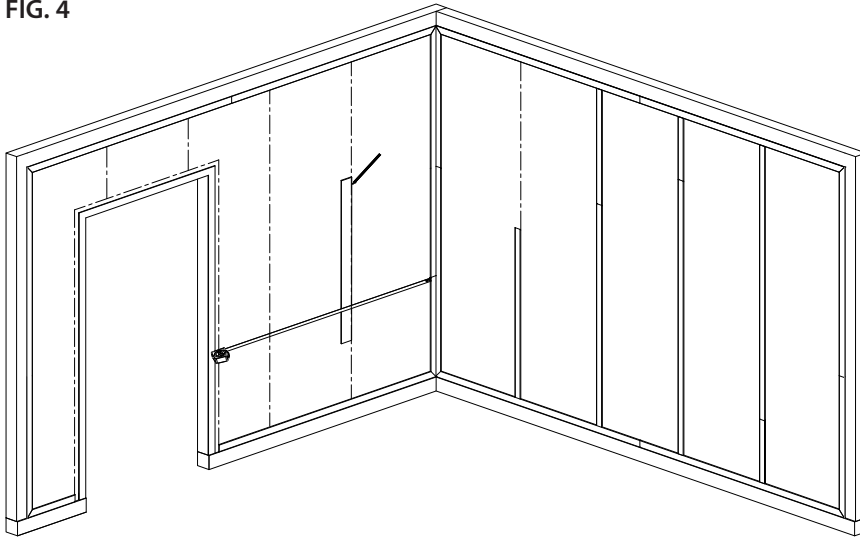
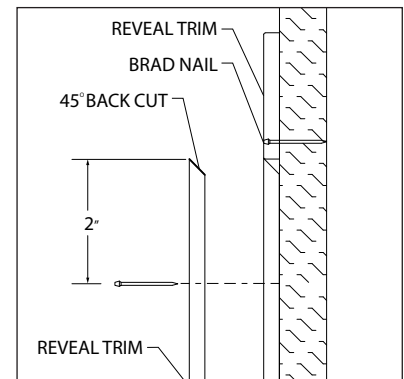
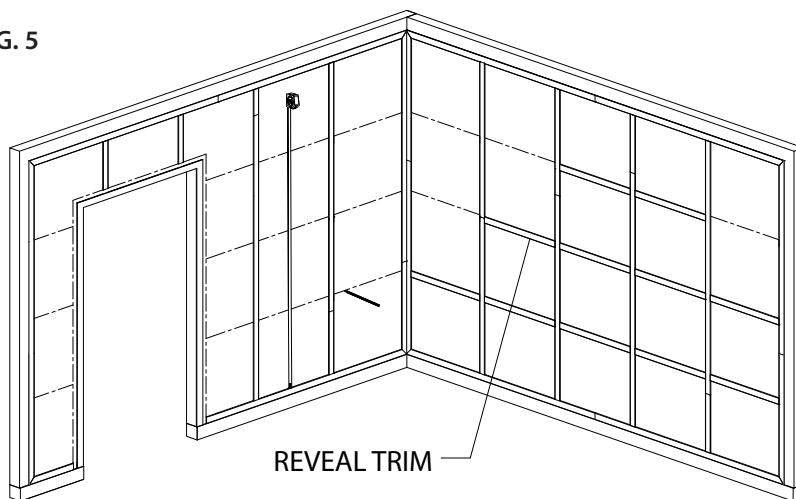


FIG. 4a



4. Install horizontal running trim last.
 - a. Cut horizontal reveal trim as required, and install in the same manner as perimeter trim, for lengths shorter than 24"; place nails 2" from each end and one in center. (Fig. 5)
 - b. Where horizontal trim pieces meet vertical trim pieces create a 45 degree back cut (See Fig.4a).

FIG. 5



Installation Instructions

Palladium Wall Panels - Demountable

Factory Finished Edges and Field Cut Edges

5. Install 2" z-clips to the back of panels with provided fasteners using the pre-drilled holes. (Fig. 6)
TIP: To ensure the panel z-clips and continuous z-clips lock flush when installed. Install outside fastener on each edge z-clip, then using an appropriate length of continuous z-clip, slide into the panel z-clips. When the z-clips lock together it will ensure a parallel alignment between each end. With continuous z-clip still in place install middle 2" z-clips. (See Fig. 6a)

FIG. 6

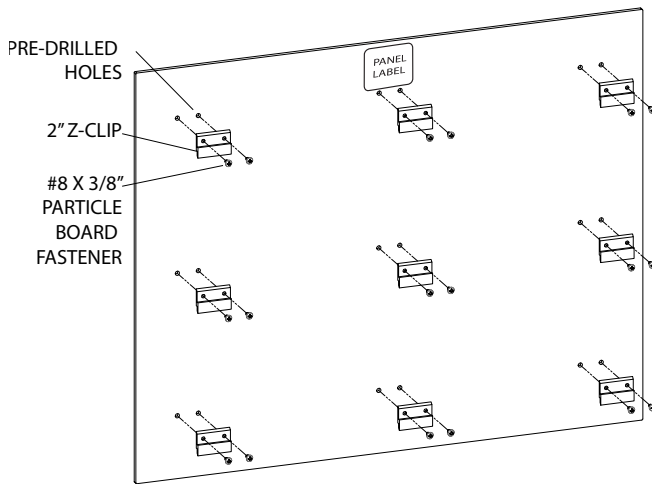
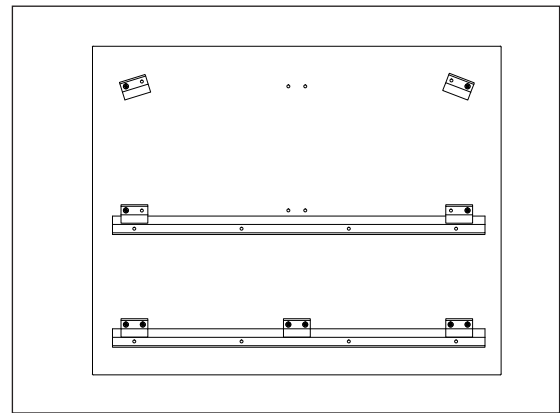


FIG. 6a



6. Install continuous z-clips onto wall. (Fig.7)
 a. Cut continuous z-clips to length as needed.
 b. Attach continuous z-clips to wall at the proper locations, allowing for reveal overlap and panel spacing. Fasten each length of continuous z-clip at both ends and space fasteners 16" on center using supplied fasteners. (See Fig.7a)
 When installing on concrete wall use plastic alligator anchors.
TIP: When installing continuous z-clips, the top z-clip location is critical to maintain reveal gap and should be installed first.

FIG. 7

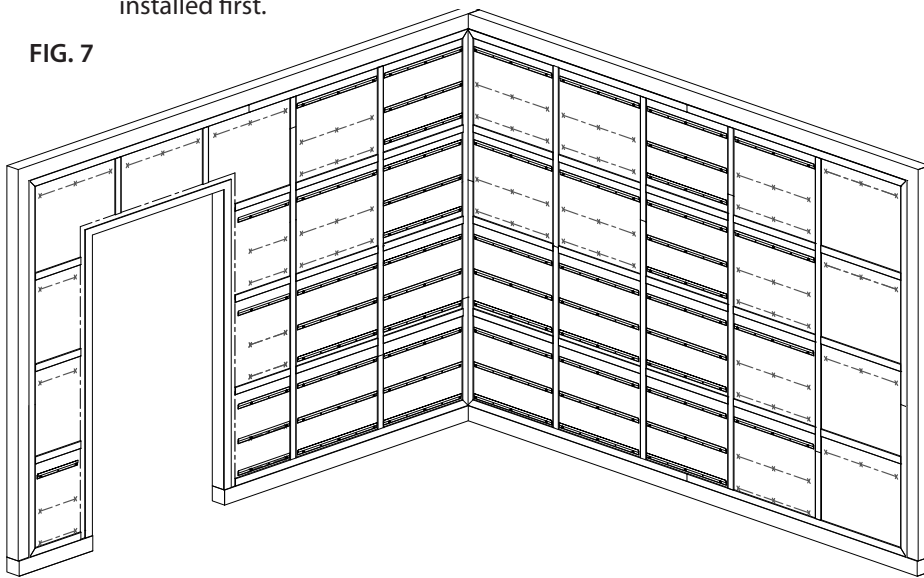
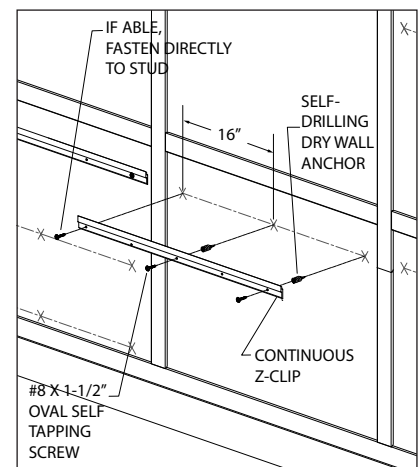


FIG. 7a



Installation Instructions

Palladium Wall Panels - Demountable

Factory Finished Edges and Field Cut Edges

7. Install panels on continuous z-clips; When installing panels on layout with one field cut end condition, begin from non-field cut end working toward the field cut condition; otherwise install panels from center working outward. (Fig.8)
TIP: Cut and install field cut panels after entire row is installed with proper reveal distances between panels.
8. Position panel over continuous z-clips. Press panel tight against wall and slide it down until the z-clips engage. (see Fig.8a)
9. Once entire wall is laid out with reveal spacing between panels consistent, remove panels and apply a dime sized dab of silicone on each 2" z-clip and reinstall.

FIG. 8

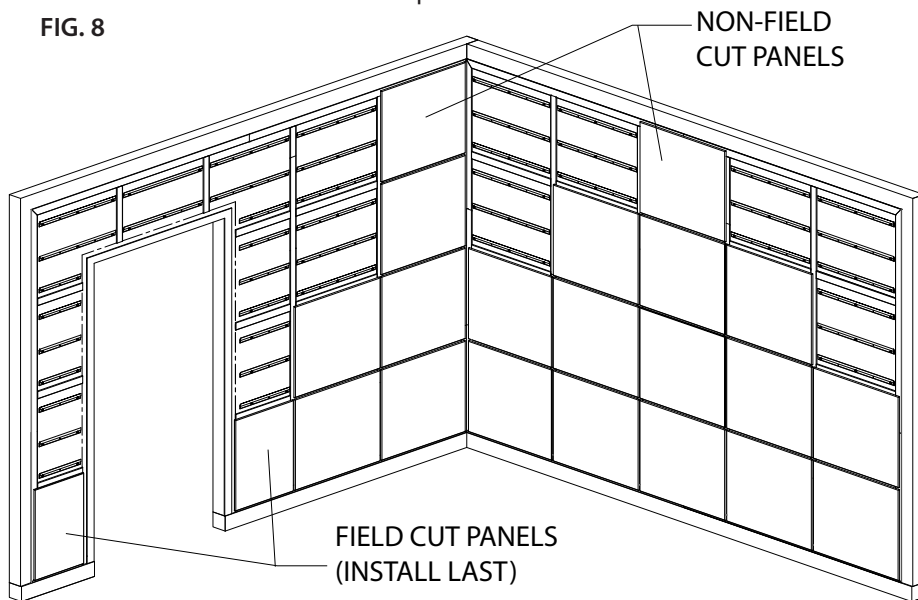
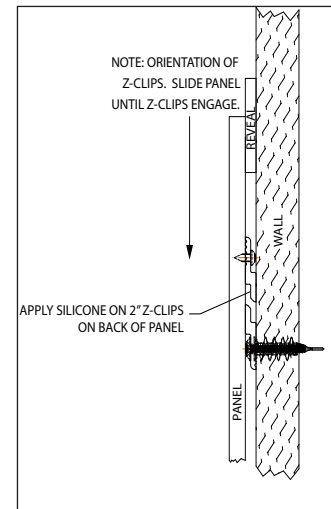
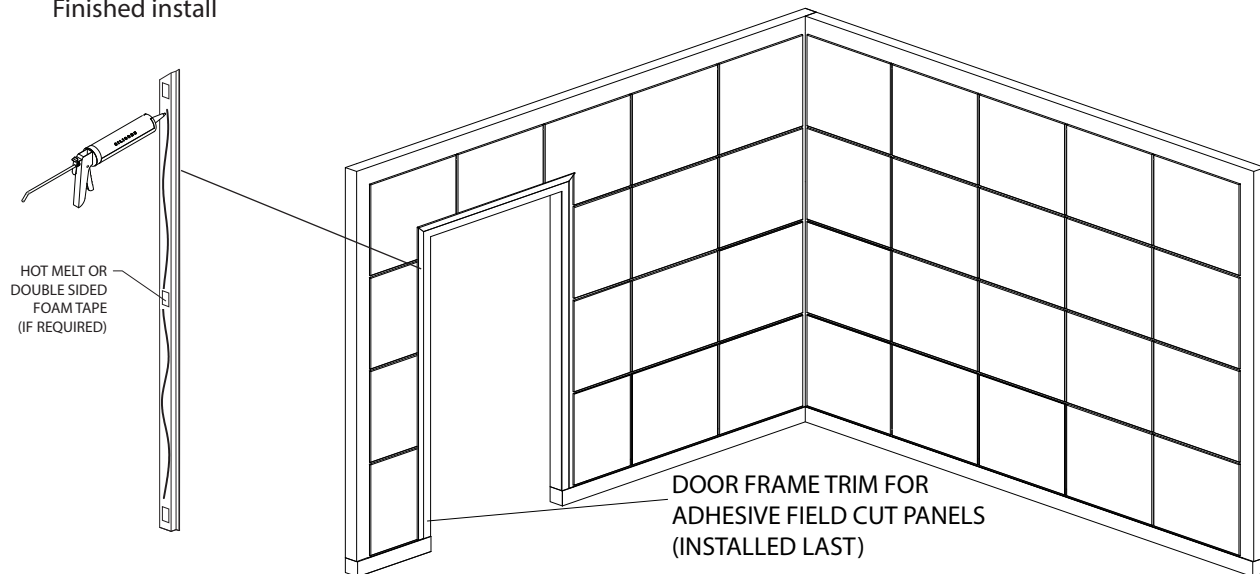


FIG. 8a



10. Cut trim pieces to length as required and install in the same manner as reveal trim .
11. Finished install

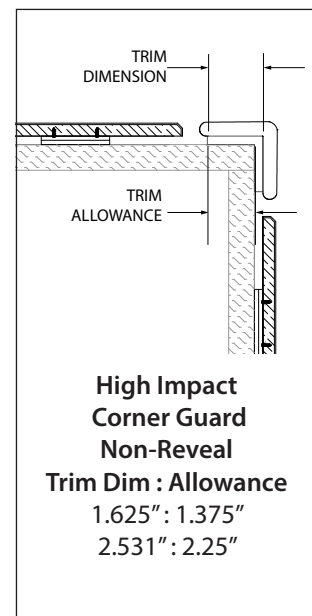
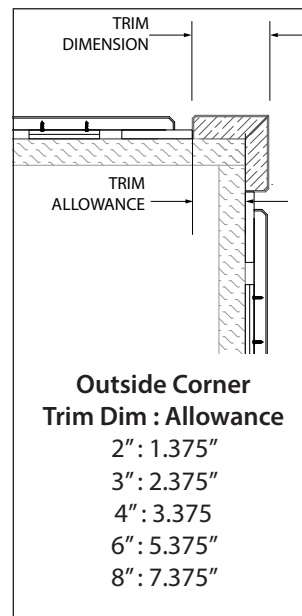
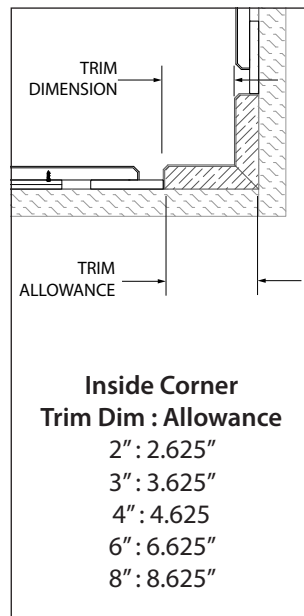
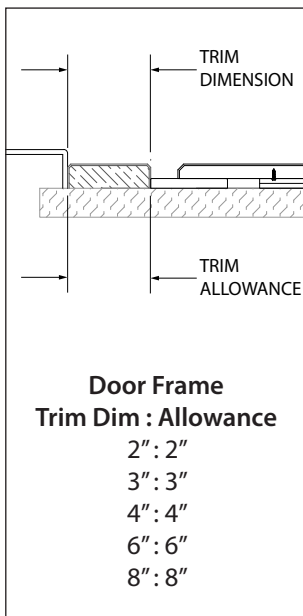
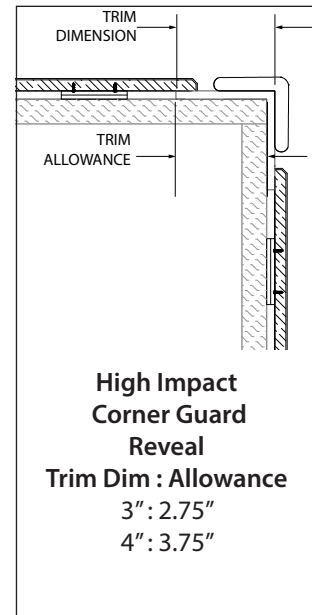
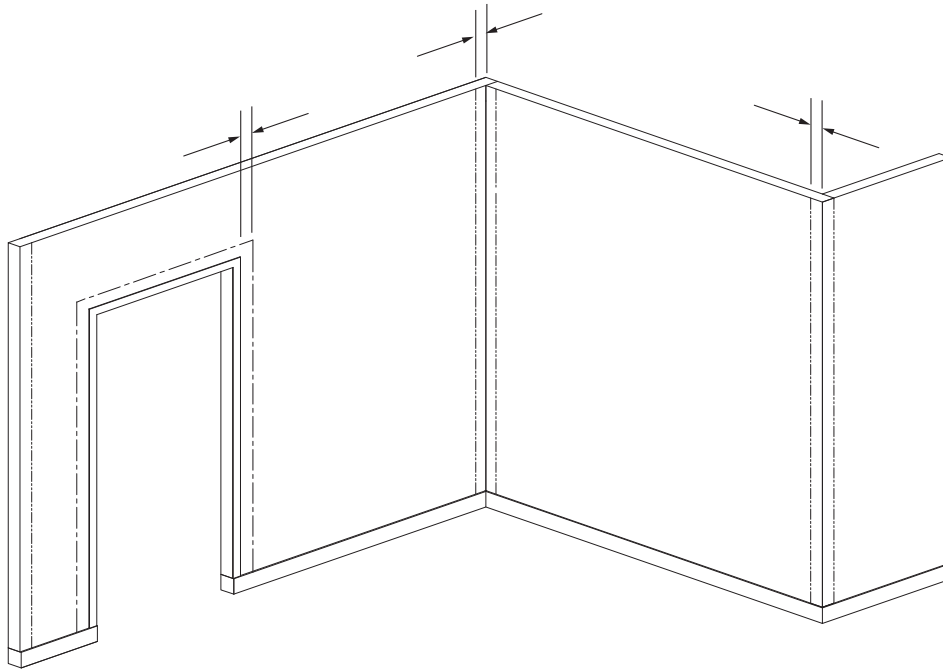


Installation Instructions

Palladium Wall Panels - Demountable

Factory Finished Edges and Field Cut Edges

Factory finished edge trim and reveal trim is installed before panels and continuous z-clips. Install reveal trim pieces using the same method as standard reveals. When using a corner guard over an outside corner reveal trim, install corner guard per supplied instructions before installing panels, to ensure proper fit. Determine proper corner condition and install according to detail below.



Installation Instructions

Palladium Wall Panels - Demountable

Factory Finished Edges and Field Cut Edges

Field cut trim is installed after panels, remember to include trim allowance at each condition when laying out reveal trim. Before installation ensure the edges of the demountable panels are the proper distance apart and parallel to corner or door frame. Install overlapping trim pieces similar to reveals, using a "zig-zag" of PL Premium on back of trims then brad nail. Determine proper corner condition and install according to detail below.

