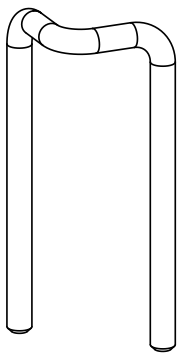
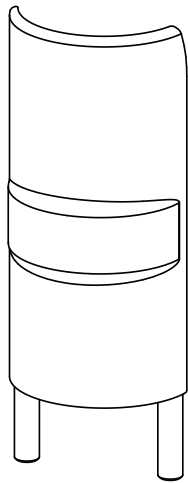


# CartStop Corner Guard

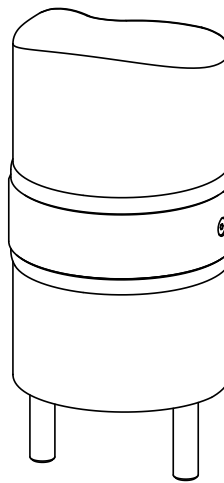
## INSTALLATION INSTRUCTIONS



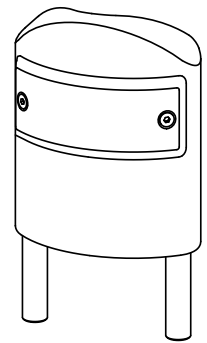
CartStop Shelf Guard  
Stainless



CartStop Corner  
Guard Stainless

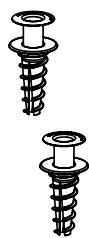
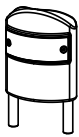
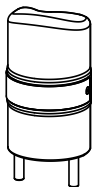
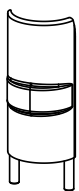
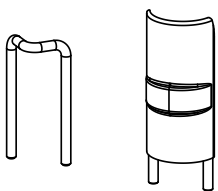


CartStop Corner  
Guard Standard



CartStop Shelf  
Guard

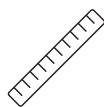
### Components



Flange Anchor Kit  
CSFA-10-KIT

Corner Guard

### Tools Required



Straight  
Edge



Dust Pan  
& Brush



Rubber  
Mallet



Tape  
Measure



Hammer Drill with  
1" Carbide Bit



Vacuum



Chalk Line



Pencil



Plumb Line



Framing  
Square



Allen Wrench  
Set



Wire Brush



**McCue Corporation**  
Peabody, Massachusetts, USA  
+1 (800) 800 8503  
customer@McCue.com

**McCue UK & Europe**  
Milton Keynes, United Kingdom  
+44 (0)1908 365 511  
uksales@mccue.com

**McCue Asia**  
迈客(厦门)有限公司  
Xiamen, Fujian, China  
+86-592-2200790

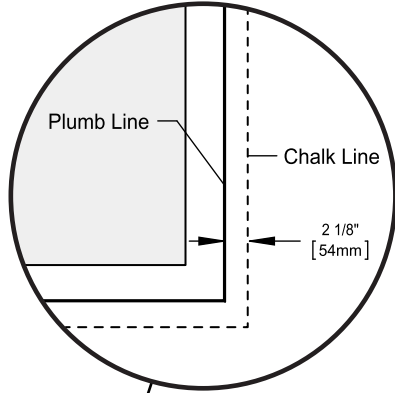
[mccue.com](http://mccue.com)



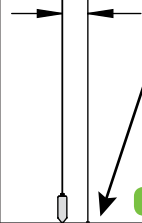


1

TOP VIEW



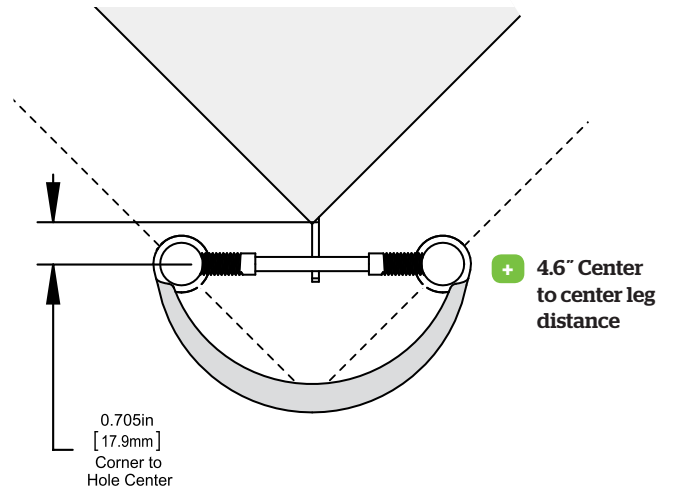
+ Plumb Line



+ Chalk Line

2

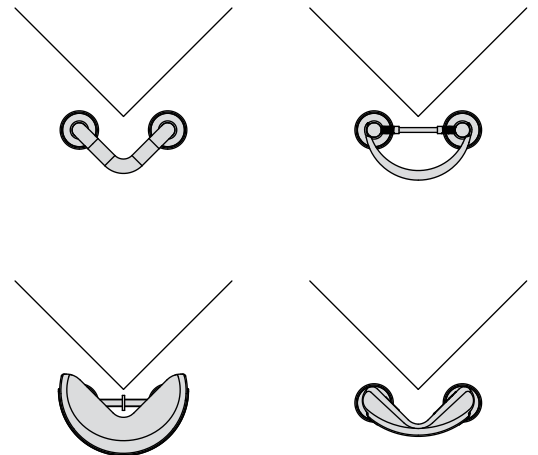
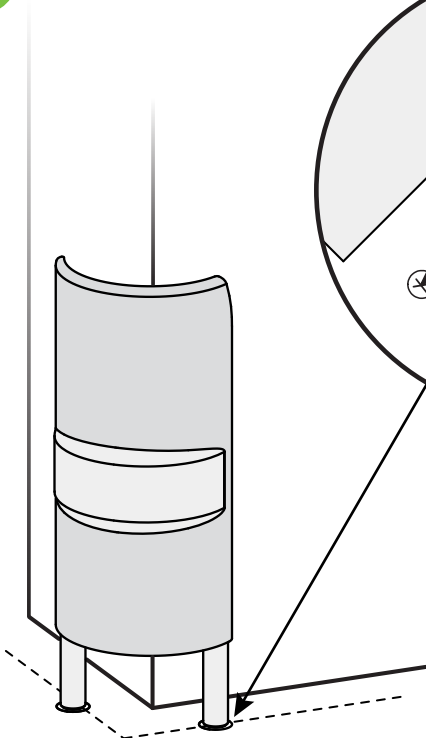
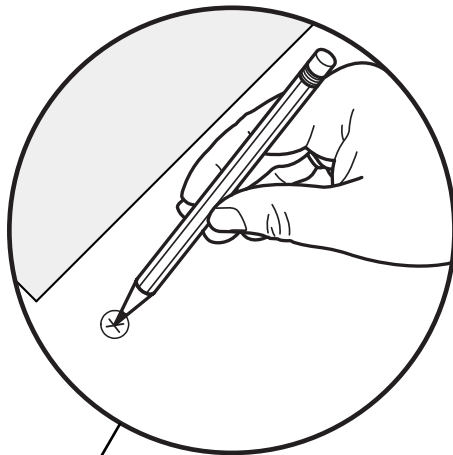
TOP VIEW



+ 4.6" Center to center leg distance

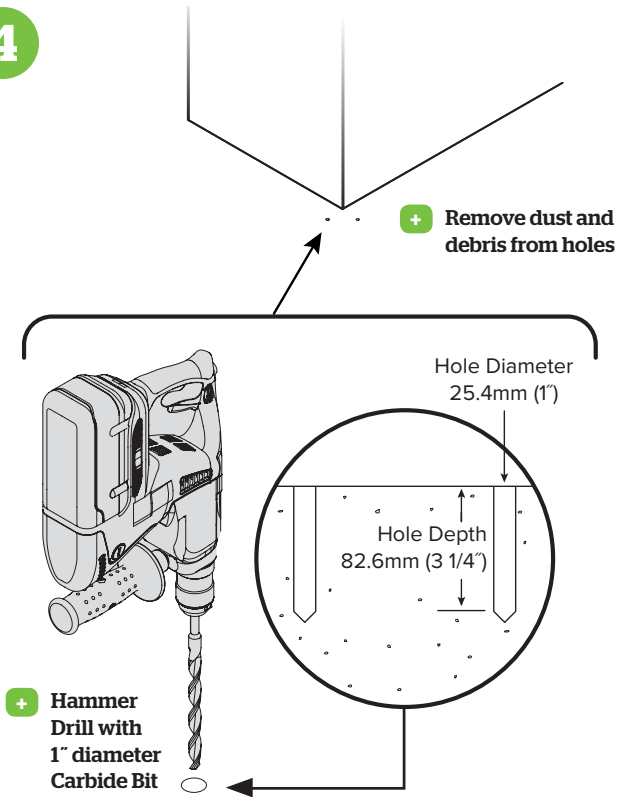
0.705in [17.9mm] Corner to Hole Center

3

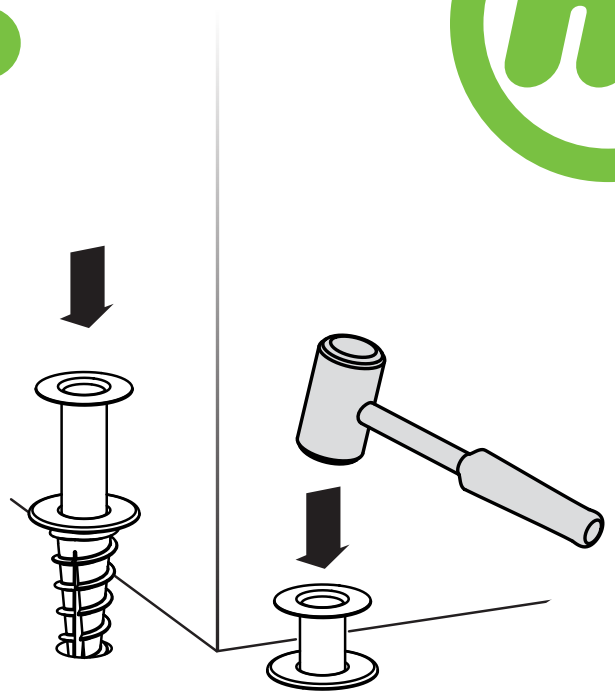




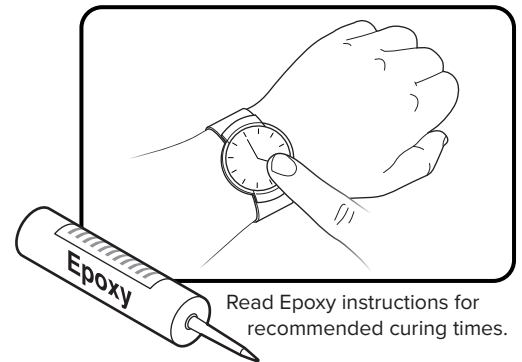
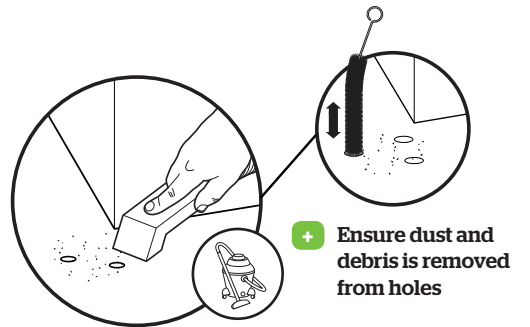
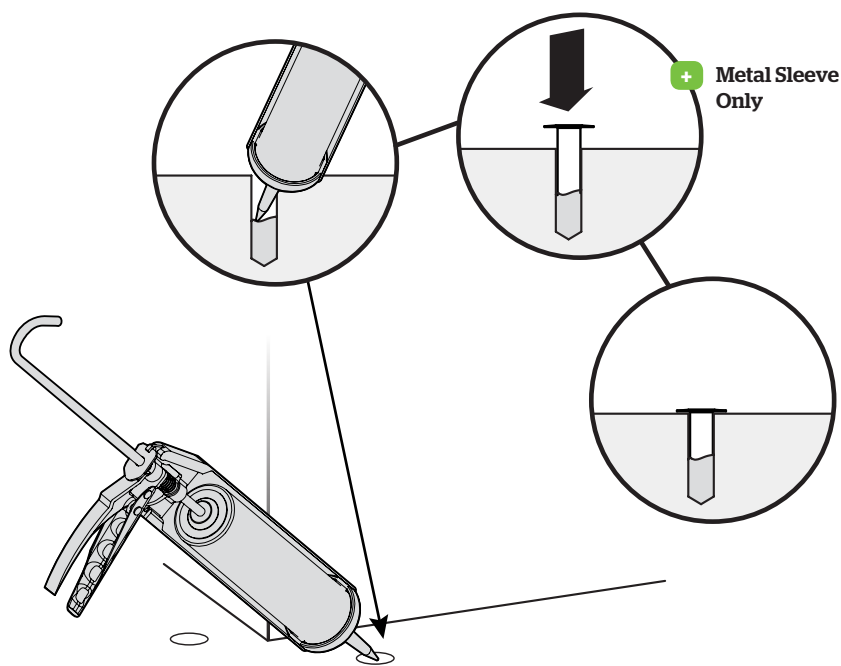
4



5



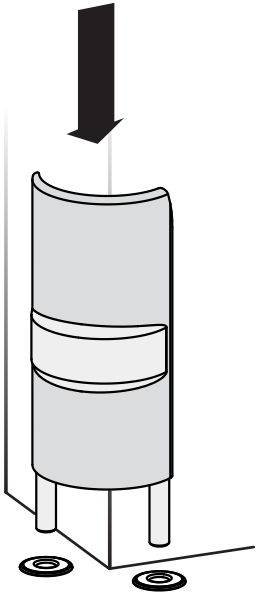
## Alternative Epoxy Option



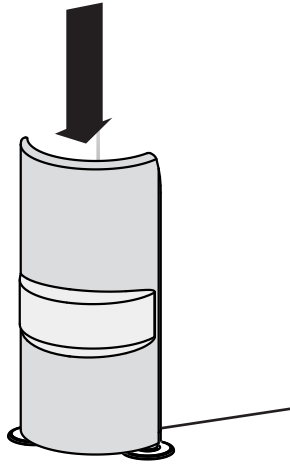
+ Remove plastic anchor and insert stainless steel sleeve into epoxy-filled holes until flange sits flush with the floor



6

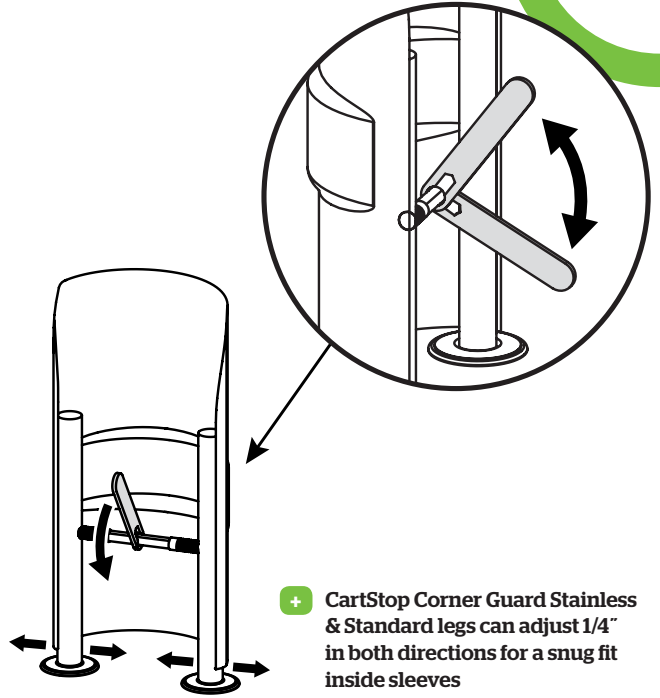


Final step for CartStop Shelf Guard & Shelf Guard Stainless

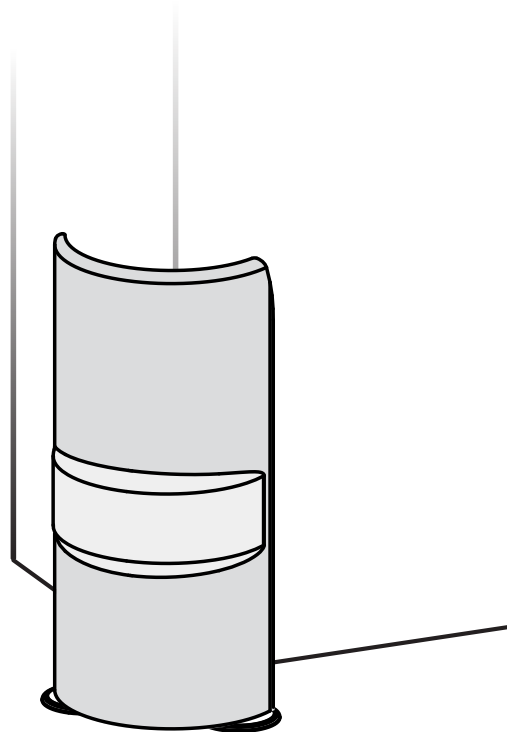


+ Guard will sit about 1/4" above the floor when installed

7



+ CartStop Corner Guard Stainless & Standard legs can adjust 1/4" in both directions for a snug fit inside sleeves



# CartStop Corner Guard

## HOLE TEMPLATE POSITIONING GUIDE

