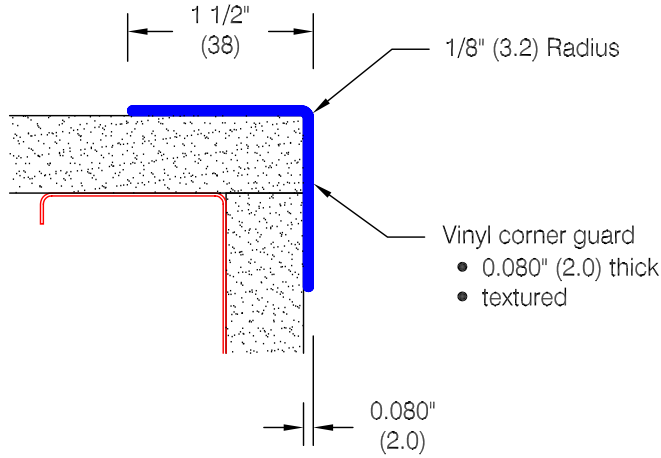


CG-12 Corner Guard



Features:

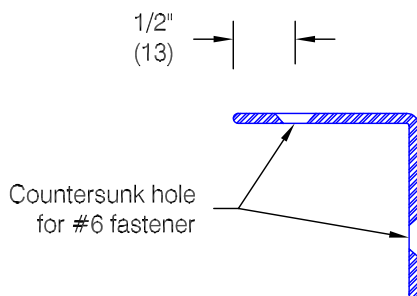
- Class A fire rating
- Stock lengths:
4'-0" (1219), 8'-0" (2438) & 12'-0" (3658)

Finishes:

- Manufacturer's standard colors
- Custom colors available

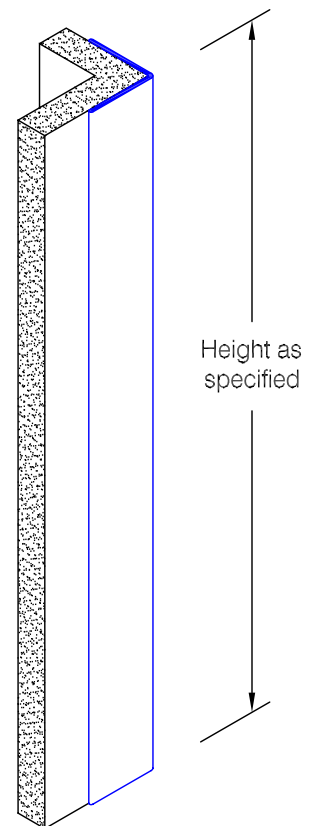
Mounting Options:

- Adhesive
ADH-30 adhesive supplied separately
- Drilled
Countersunk holes for ABSS-134 #6 x 1 1/2" (38) oval head sheet metal screw supplied separately as required
- Taped
ADH-4042 double sided adhesive tape factory applied to corner guard



Optional Drilling:

- Standard spacing: 1" (25) from each end and spaced evenly not to exceed 36" (914) oc



Pawling Corporation reserves the right to discontinue a design or modify an existing design without prior notice

| | | |
|-------------|-------------|-----------|
| Customer : | Project : | WD.110.0a |
| Architect : | Sales Rep : | |