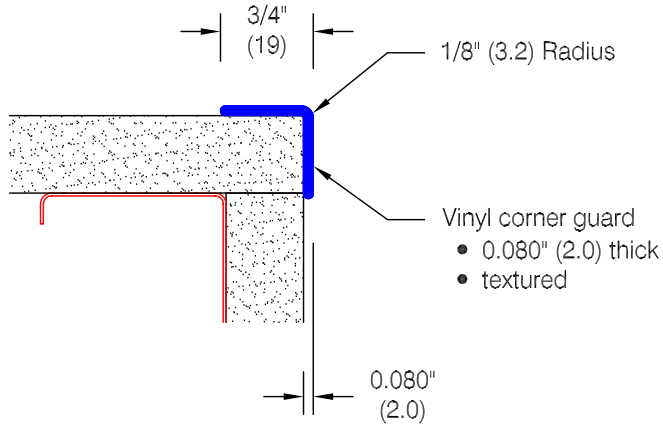


CG-34 Corner Guard



Features:

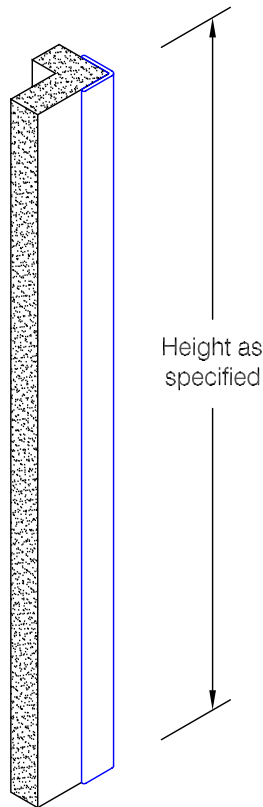
- Class A fire rating
- Stock lengths: 4'-0" (1219), 8'-0" (2348) & 12'-0" (3658)

Finishes:

- Manufacturer's standard colors
- Custom colors available

Mounting Options:

- Adhesive
ADH-30 adhesive supplied separately
- Taped
ADH-4042 double sided adhesive tape factory applied to corner guard



Pawling Corporation reserves the right to discontinue a design or modify an existing design without prior notice

Customer :	Project :	WD.109.0a
Architect :	Sales Rep :	