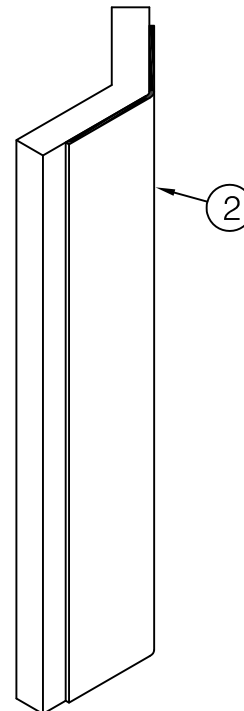
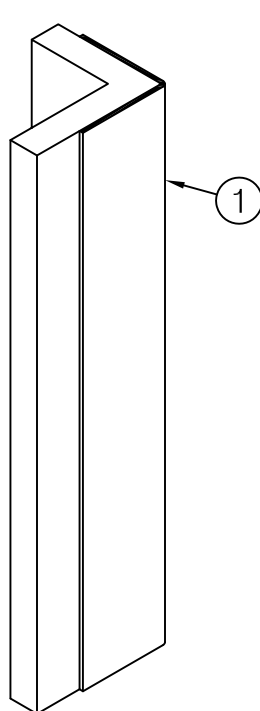
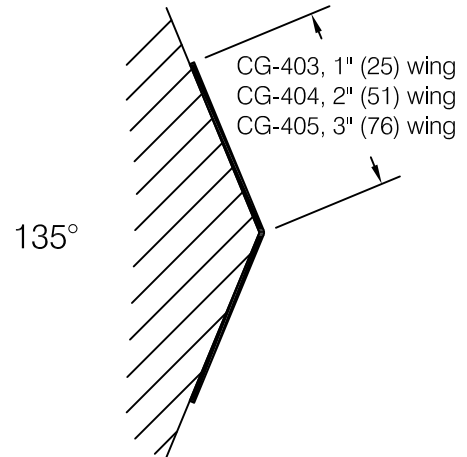
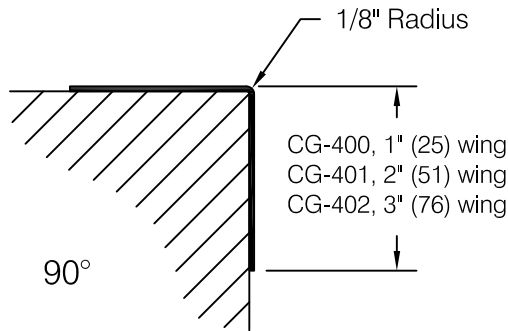


## **CG-400, CG-401, CG-402, CG-403, CG-404 & CG-405 Surface Mounted Corner Guards**



### Component Part Numbers:

- 1) CG-400, CG-401, CG-402 Corner guard
- 2) CG-403, CG-404, CG-405 Corner guard

### Optional Mounting Components (not shown):

- ADH-50-10-0 Construction adhesive
- ABCW-132-0-184 Cup washer for #8 fastener
- ABSS-113-0-184 #8 x 1 1/2" oval head sheet metal screw
- ABSS-134-0-184 #6 x 1 1/2" oval head sheet metal screw

**Step 1:** Aluminum corner guards are supplied undrilled for mounting with adhesive or pre-drilled for mounting with mechanical fasteners. If desired, adhesive may also be used in conjunction with mechanical fasteners on pre-drilled corner guards. Determine the installation method to be used and follow the applicable steps below.

*Note:* Mechanical fasteners are not an option for 1" (25) wing corner guards.

**Important:** Store material in a clean dry place where the temperature is maintained above 50°F (10°C) and is not allowed to exceed 100°F (38°C). Do not store in exposed sunlight. Walls and rooms should be maintained at a minimum of 65°F (18°C) for at least 48 hours prior to installation. Acclimate materials to normal building conditions for at least 24 hours before cutting and installing.

**Step 2:** The corner guards are factory formed and supplied at lengths according to customer specification, additional cutting should not be necessary.

**Important:** If additional cutting is required select a method that will minimize creation of heat during the cut. Deburr using a smooth cut file being careful to avoid damaging the exposed finish of the corner guard.

### **Adhesive Installation:**

**Step 3:** Prepare the wall by removing any loose particles. The installation surface must be clean and free of dust, oils, adhesive residue, or any foreign material that might interfere with the adhesive bond.

**Step 4:** Select the mounting location and test fit the corner guard by holding it in place before applying adhesive. Make sure there is no interference with adjacent construction and correct any conditions that might interfere with obtaining good surface contact.

**Step 5:** With a caulking gun, apply a 1/4" bead of adhesive in a zig-zag pattern along the entire length of the corner guard on the inside surface of both flanges. Stay back from outer edges far enough (1/2" to 3/4") to prevent adhesive from being forced out from under the corner guard during the setting process.

**Step 6:** Press corner guard firmly in place. Carefully remove any excess adhesive to prevent the need for use of solvents. If necessary, mineral spirits may be used in the clean-up process but only if it has been determined that adjacent surfaces will not be damaged.

**Step 7:** If necessary use duct tape, provided it will not damage adjacent surface finishes, or other mechanical means to hold corner guard in place while adhesive cures.

**Step 8:** After 48 hours, remove protective peel-off covering from surface of corner guards.

### **Mechanical Fastener Installation:**

**Step 3:** Hold corner guard firmly in place and drill pilot holes in wall construction to align on center with factory supplied mounting holes.

- Thru-hole and cup washer: #21 drill bit for #8 fastener.
- Countersunk hole: # 26 drill bit for #6 fastener.

**Step 4:** Refer to the **Adhesive Installation** section above if adhesive is to be used in conjunction with mechanical fasteners.

**Step 5:** Remove protective peel-off covering from around holes if cup washers are used. If desired, the entire covering may be removed but additional care is required to ensure the corner guard surface is not marked during the remainder of the installation process.

**Step 6:** Secure corner guard in place using the mechanical fasteners specified. Remove the protective covering if not removed in **step 5**.