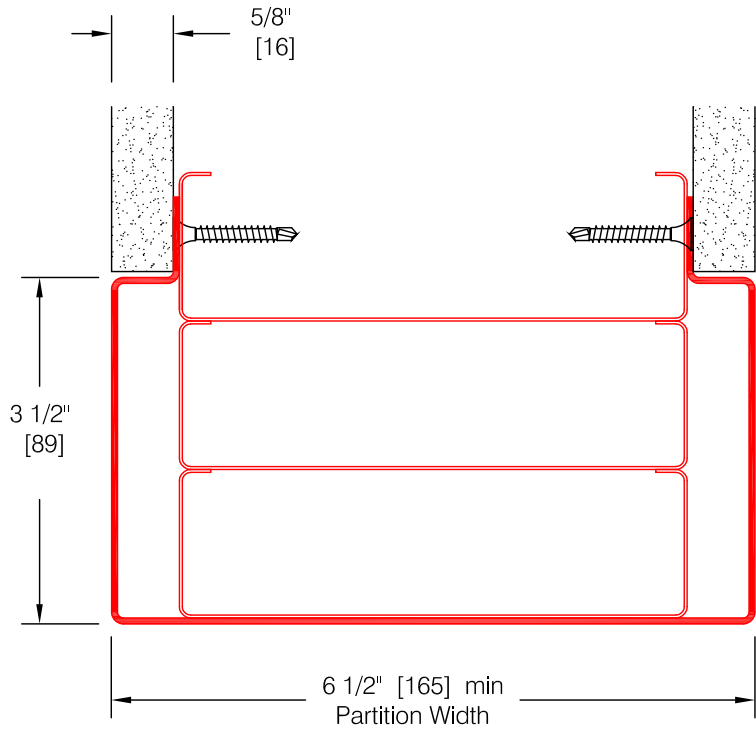


CG-500EW Flush Mount Endwall



Features:

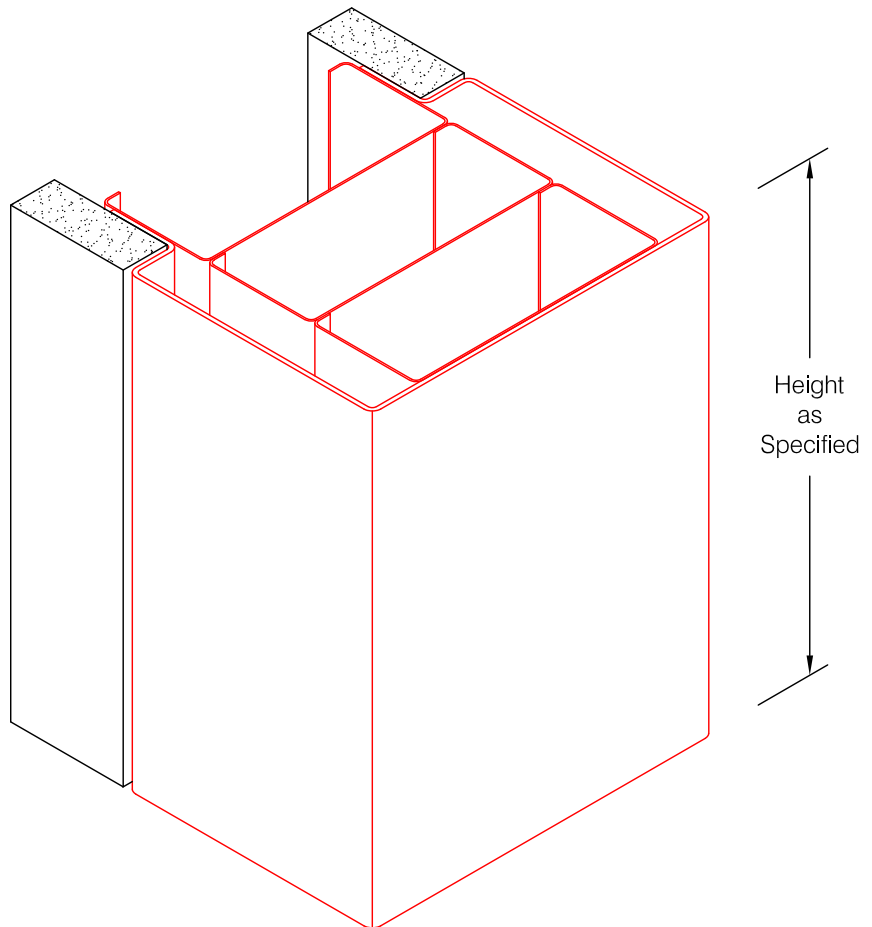
- Stock lengths: 4'-0" (1219) & 8'-0" (2438)
- Type 304 stainless
- Custom lengths, partition widths and wing sizes are available

Mounting Options:

- Standard mounting
- Adhesive:
 - ADH-50 adhesive supplied separately
- Optional mounting
- Drilled:
 - Clearance holes for #8 fastener

Formed stainless steel

- type 304
- #4 satin finish
- 16 gauge 0.059" (1.5)



Pawling Corporation reserves the right to discontinue a design or modify an existing design without prior notice

Customer :	Project :	WD.250.2
Architect :	Sales Rep :	