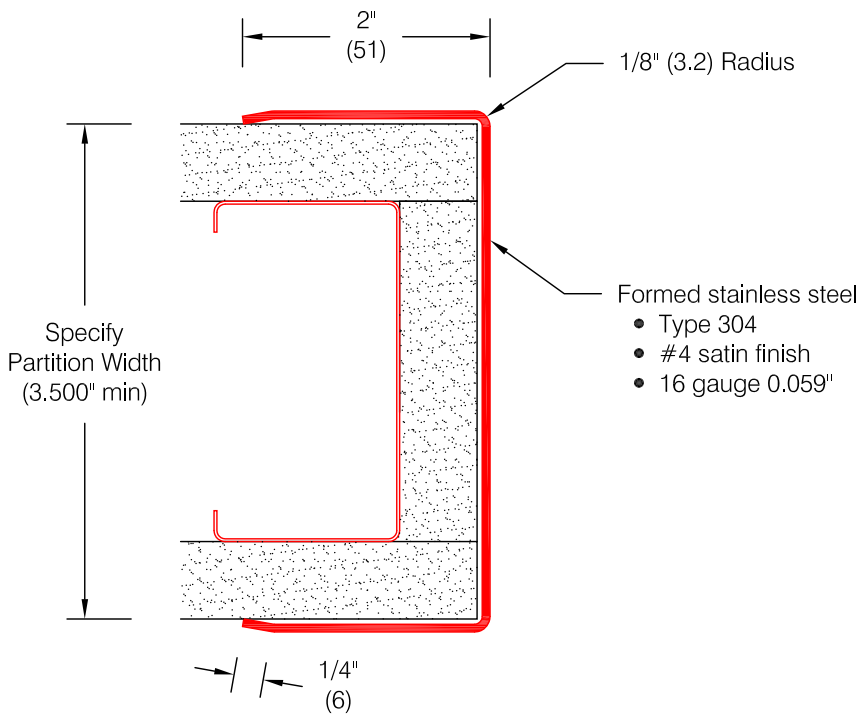


CG-51-Endwall Stainless End Guard



Features:

- Custom lengths, angles, and wing sizes are available
- Minimum partition width: 3 1/2" (89)
- Type 304 stainless steel

Mounting Options:

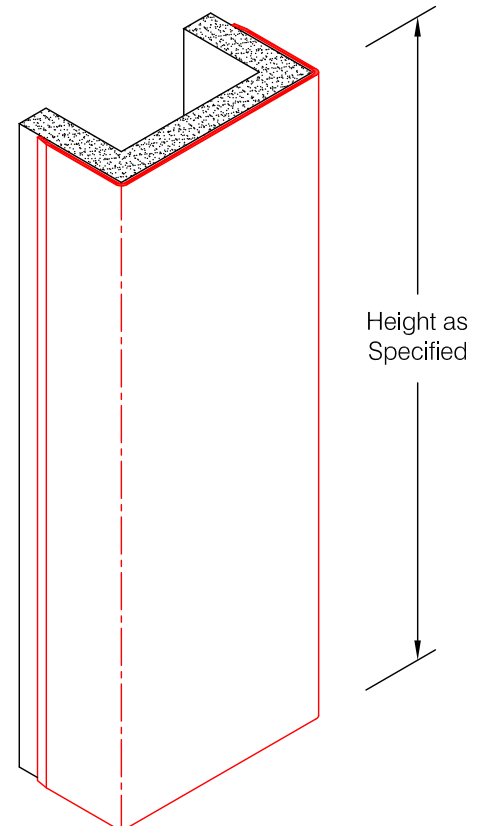
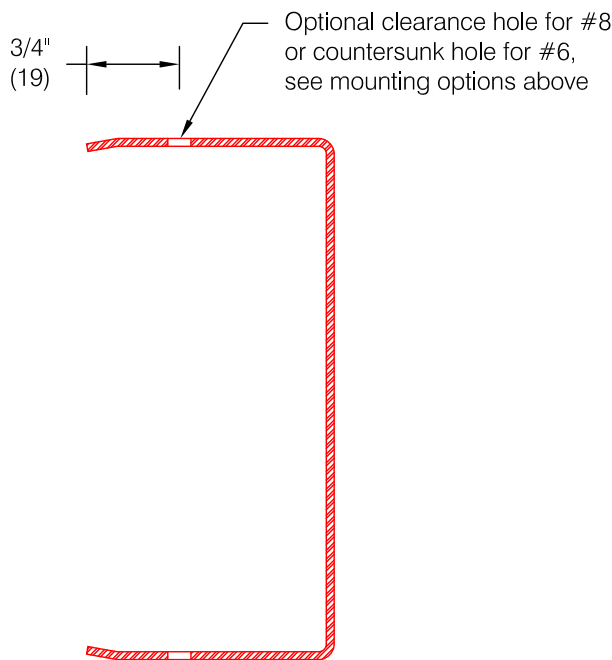
- Standard mounting
Adhesive:
ADH-50 adhesive included

- Optional mounting
Standard Drilling:

Clearance holes for #8 fastener.
 ABSS-113, #8 x 1 1/2" (38) oval head sheet metal screw and ABCW-132 stainless cup washer supplied separately as required.

Countersunk Drilling:

Countersunk holes for #6 fastener.
 ABSS-134, #6 x 1 1/2" (38) oval head sheet metal screw supplied separately as required.



Spacing for optional drilling:

- Standard spacing: 3" (76) from each end and spaced evenly not to exceed 36" (914) oc

Pawling Corporation reserves the right to discontinue a design or modify an existing design without prior notice

Customer :	Project :	WD.122.1c
Architect :	Sales Rep :	