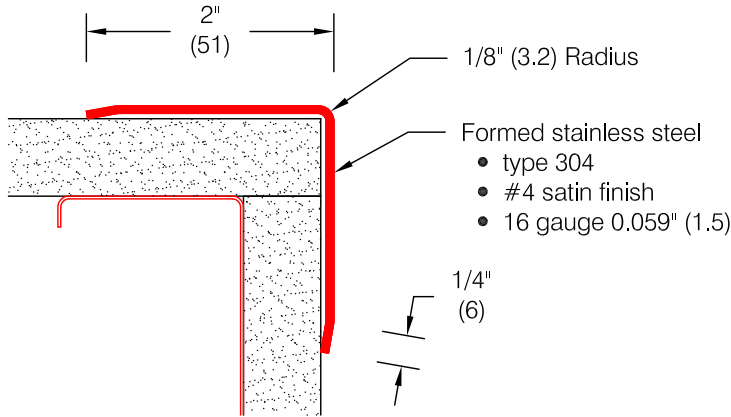


CG-51 Stainless Corner Guard

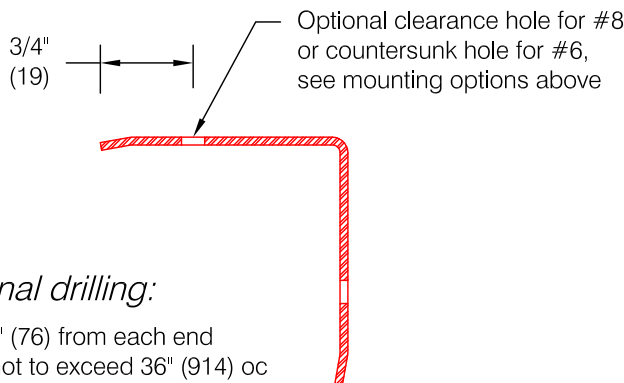


Features:

- Custom lengths, angles, and wing sizes are available
- Type 304 stainless
- Stock lengths: 4'-0" (1219) & 8'-0" (2438)

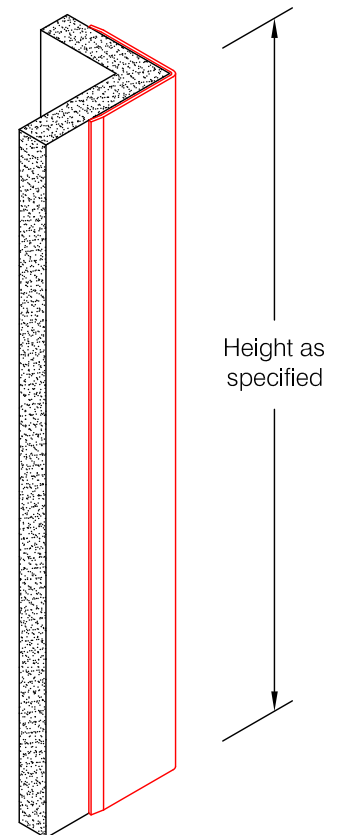
Mounting Options:

- Standard mounting
 Adhesive:
 ADH-50 adhesive supplied separately
- Optional mounting
 Standard Drilling:
 Clearance holes for #8 fastener.
 ABSS-113, #8 x 1 1/2" (38) oval head sheet metal screw and ABCW-132 stainless cup washer supplied separately as required.
- Countersunk Drilling:
 Countersunk holes for #6 fastener.
 ABSS-134, #6 x 1 1/2" (38) oval head sheet metal screw supplied separately as required.



Spacing for optional drilling:

- Standard spacing: 3" (76) from each end and spaced evenly not to exceed 36" (914) oc



Pawling Corporation reserves the right to discontinue a design or modify an existing design without prior notice

Customer :	Project :	WD.122.0b
Architect :	Sales Rep :	