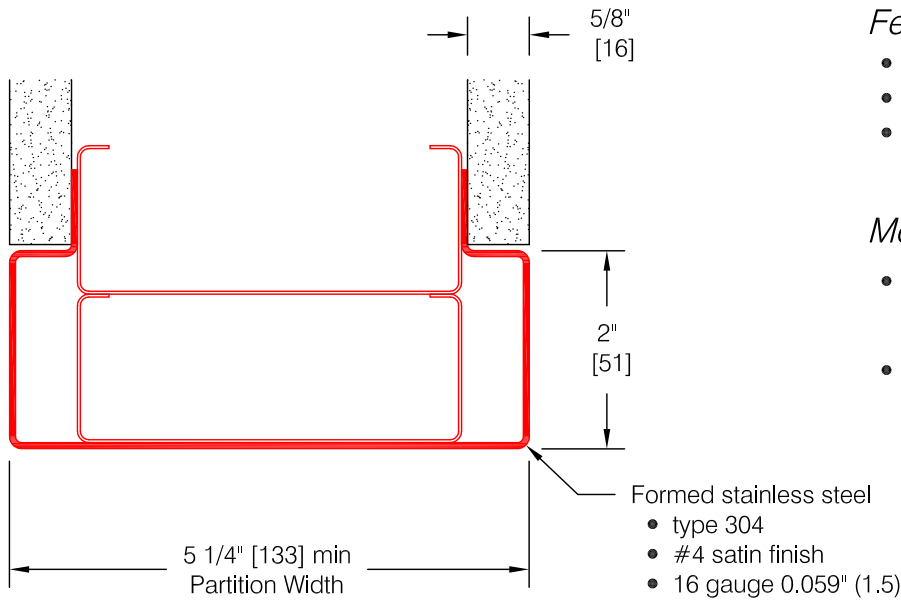


CG-510EW Flush Mount Endwall

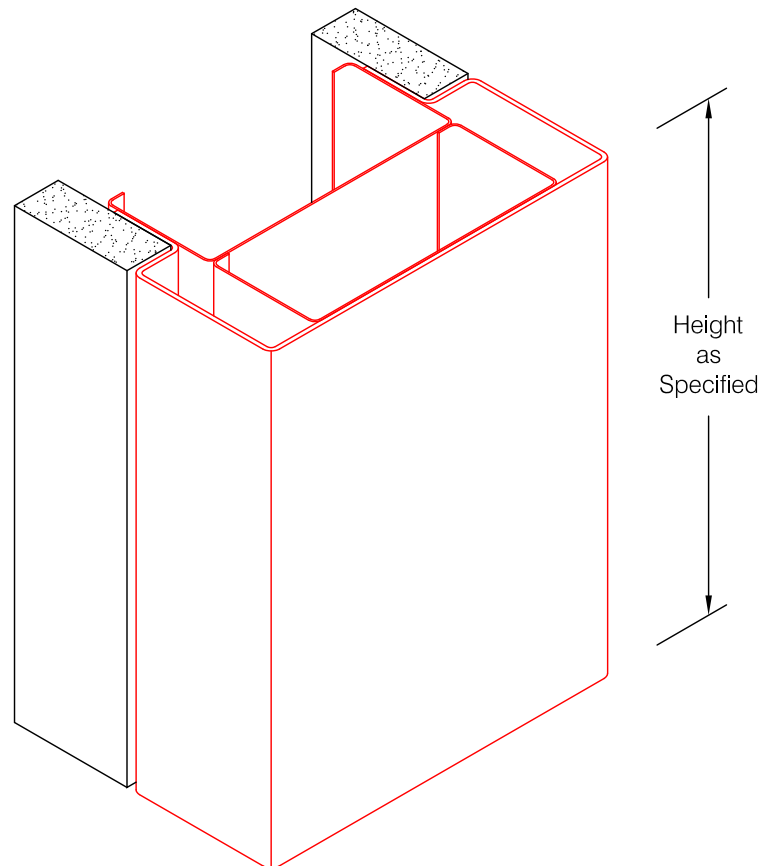


Features:

- Stock lengths: 4'-0" (1219) & 8'-0" (2438)
- Type 304 stainless
- Custom lengths, partition widths and wing sizes are available

Mounting Options:

- Standard mounting
- Adhesive:
 - ADH-50 adhesive supplied separately
- Optional mounting
- Drilled:
 - Clearance holes for #8 fastener



Pawling Corporation reserves the right to discontinue a design or modify an existing design without prior notice

Customer :	Project :	WD.260.2
Architect :	Sales Rep :	