

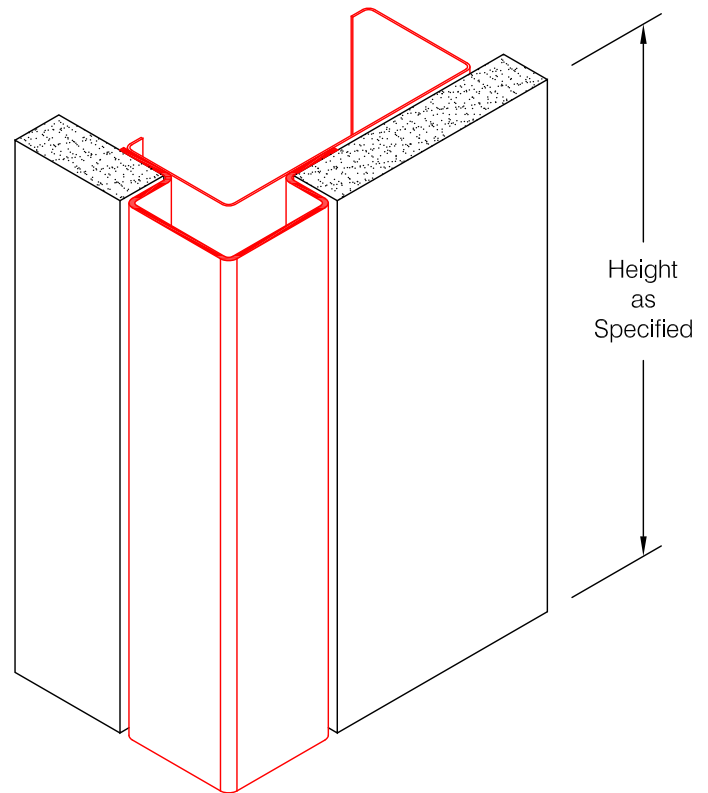
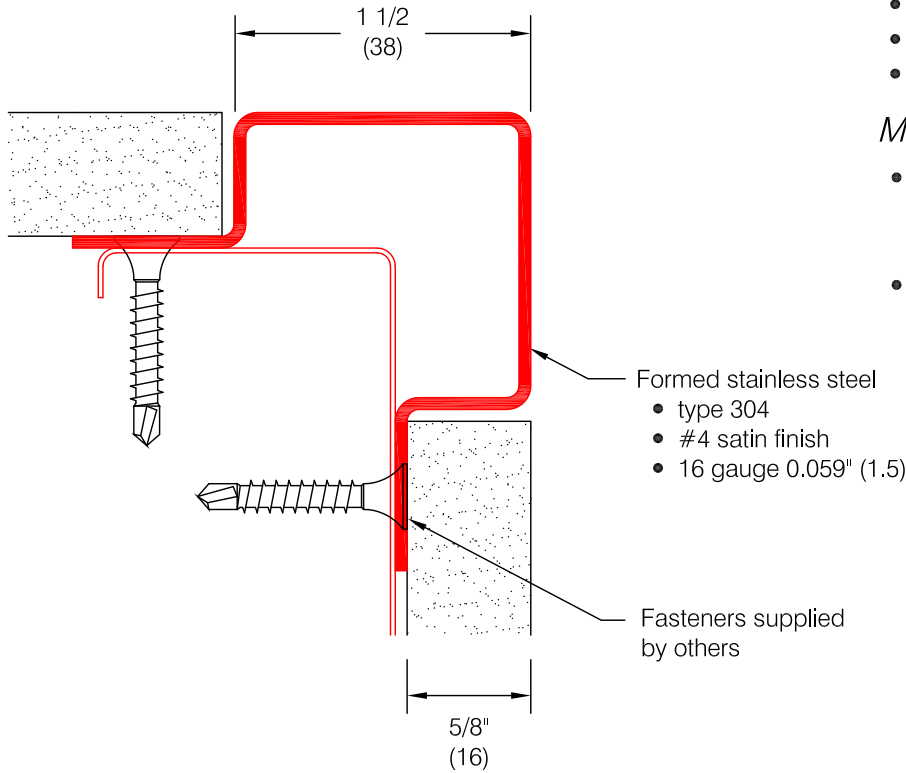
CG-525 Flush Mount Corner Guard

Features:

- Stock lengths: 4'-0" (1219) & 8'-0" (2438)
- Type 304 stainless
- Custom lengths and wing sizes are available

Mounting Options:

- Standard mounting
 Drilled:
 Clearance holes for #8 fastener
- Optional mounting
 Adhesive:
 ADH-50 adhesive supplied separately



Pawling Corporation reserves the right to discontinue a design or modify an existing design without prior notice

Customer :	Project :	WD.270.0
Architect :	Sales Rep :	