

# CG-55 Stainless Corner Guard

## Features:

- Custom lengths, angles, and wing sizes are available
- Available for 135° corners (see WD.126.0)
- Available with 1/8" (3.2) radius (see WD.121.0)
- Type 304 stainless
- Stock lengths: 4'-0" (1219) & 8'-0" (2438)

## Mounting Options:

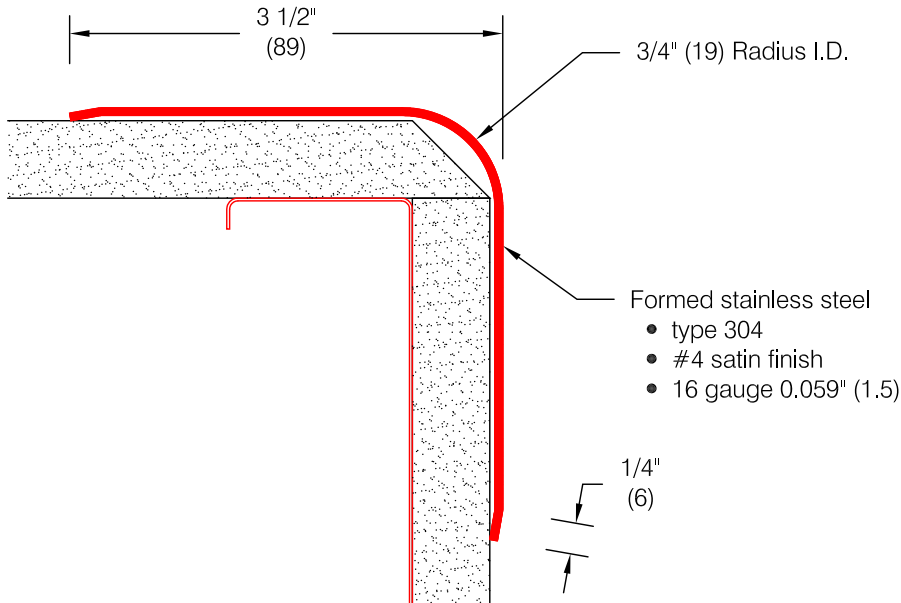
- Standard mounting  
Adhesive: ADH-50 adhesive supplied separately
- Optional mounting

### Standard Drilling:

Clearance holes for #8 fastener. ABSS-113, #8 x 1 1/2" (38) oval head sheet metal screw and ABCW-132 stainless cup washer supplied separately as required.

### Countersunk Drilling:

Countersunk holes for #6 fastener. ABSS-134, #6 x 1 1/2" (38) oval head sheet metal screw supplied separately as required.



3/4" (19)

Optional clearance hole for #8 or countersunk hole for #6, see mounting options above

## Spacing for optional drilling:

- Standard spacing: 3" (76) from each end and spaced evenly not to exceed 36" (914) oc

