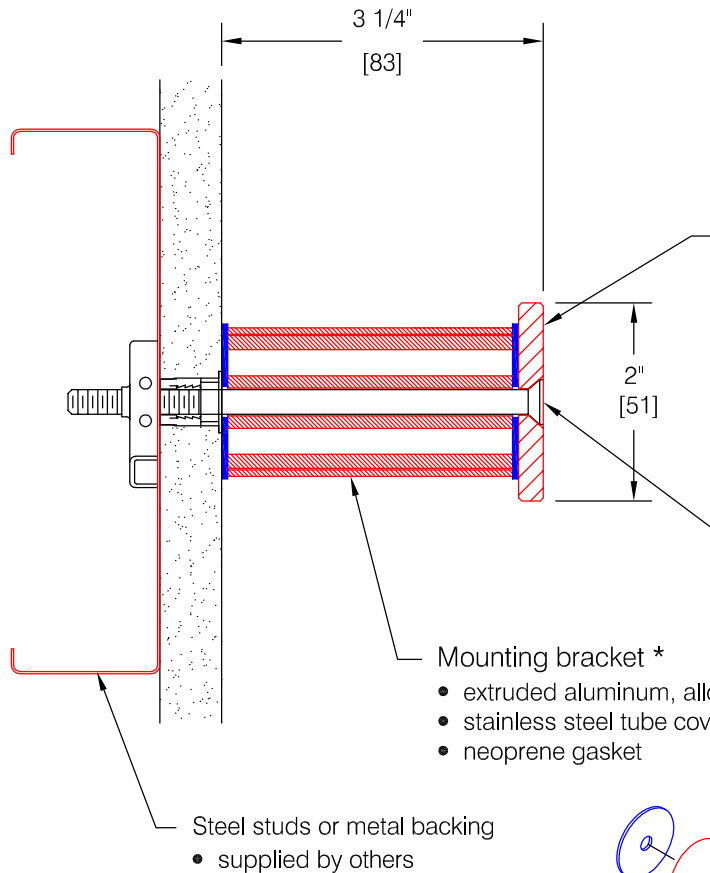


CRS-102-TBSH Steri-Guard®

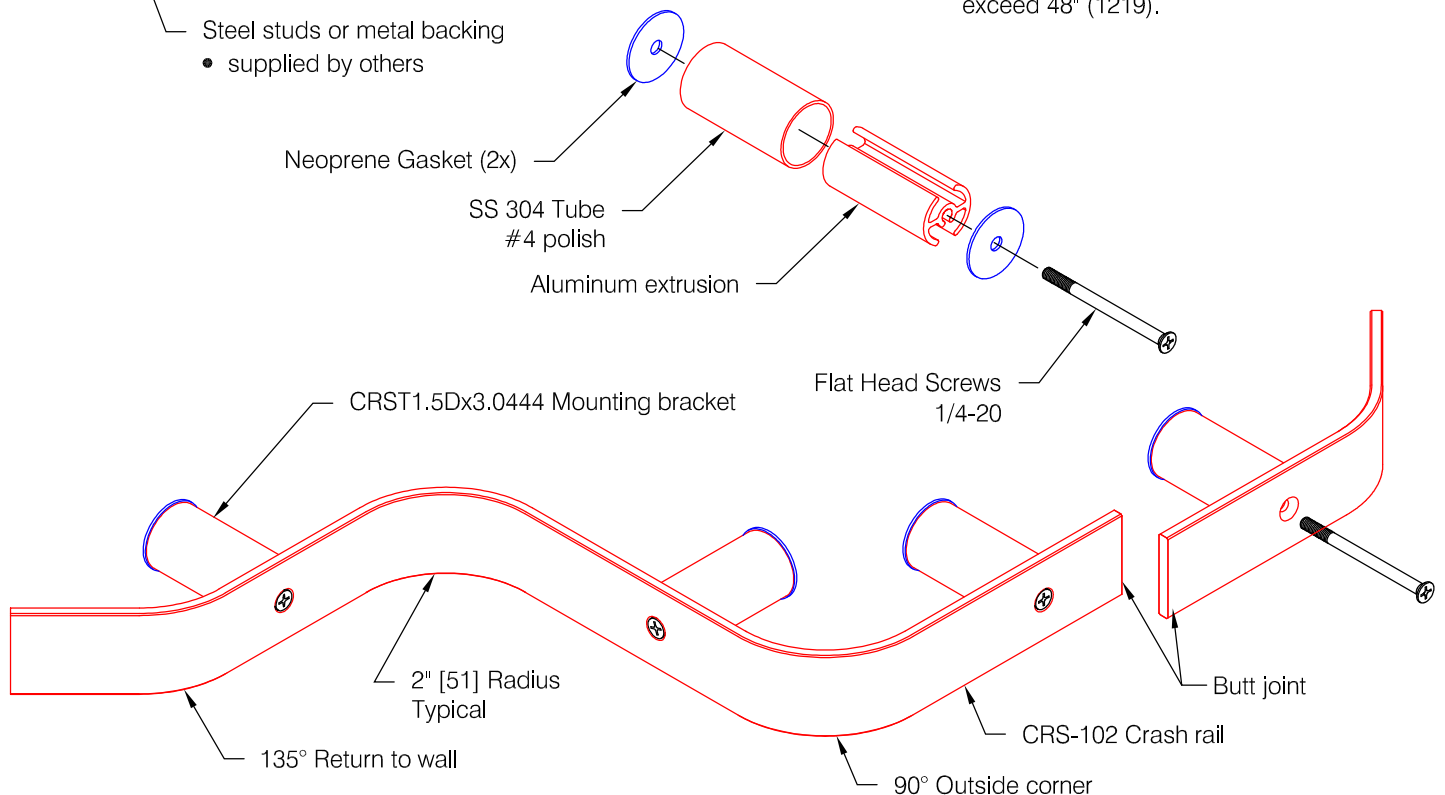
Features:

- Prefabricated to field verified measurements
- Factory formed 2" radius wall returns and corners
- 12'-0" maximum length without butt-joints
- Corners factory formed to accommodate angles other than 90°
- Bracket standoff 3" standard (as shown)
1 1/2" and 2" standoffs are available



- Crash rail**
- stainless steel, type 304
 - #4 satin finish
 - chamfered edges
 - predrilled and countersunk for bracket hardware
- Wall mount fasteners**
- stainless steel machine screw, 1/4-20 x 5", flat head
 - supplied by others
- Mounting bracket ***
- extruded aluminum, alloy 6063-T6
 - stainless steel tube cover
 - neoprene gasket
- Steel studs or metal backing**
- supplied by others

* Nominal bracket spacing 32" on center.
Actual bracket spacing will vary according to jobsite conditions. Maximum spacing not to exceed 48" (1219).



Pawling Corporation reserves the right to discontinue a design or modify an existing design without prior notice

Customer :

Project :

Architect :

Sales Rep :

WD.201.9